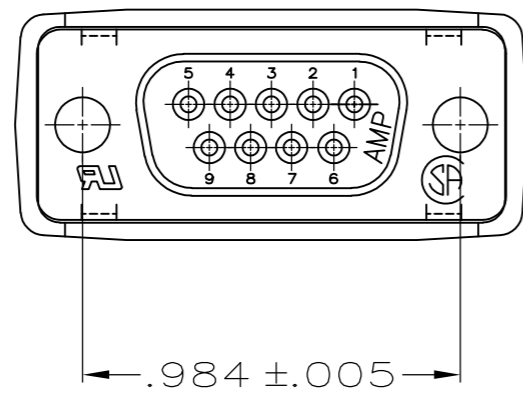
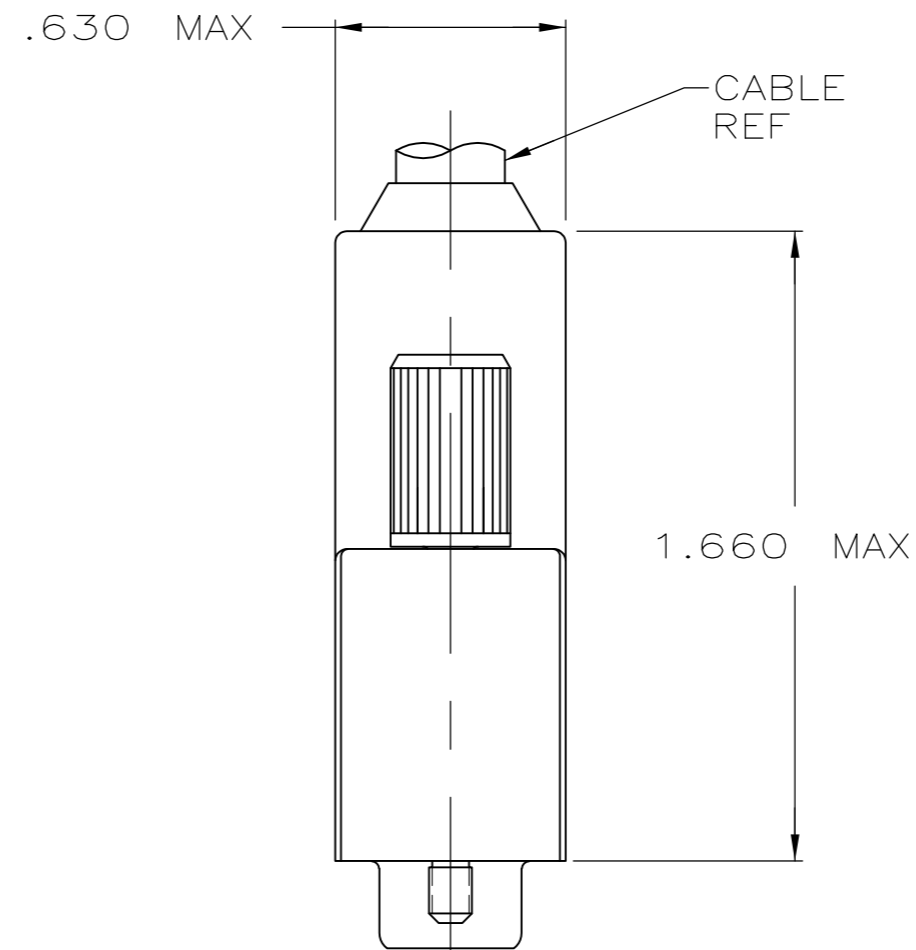
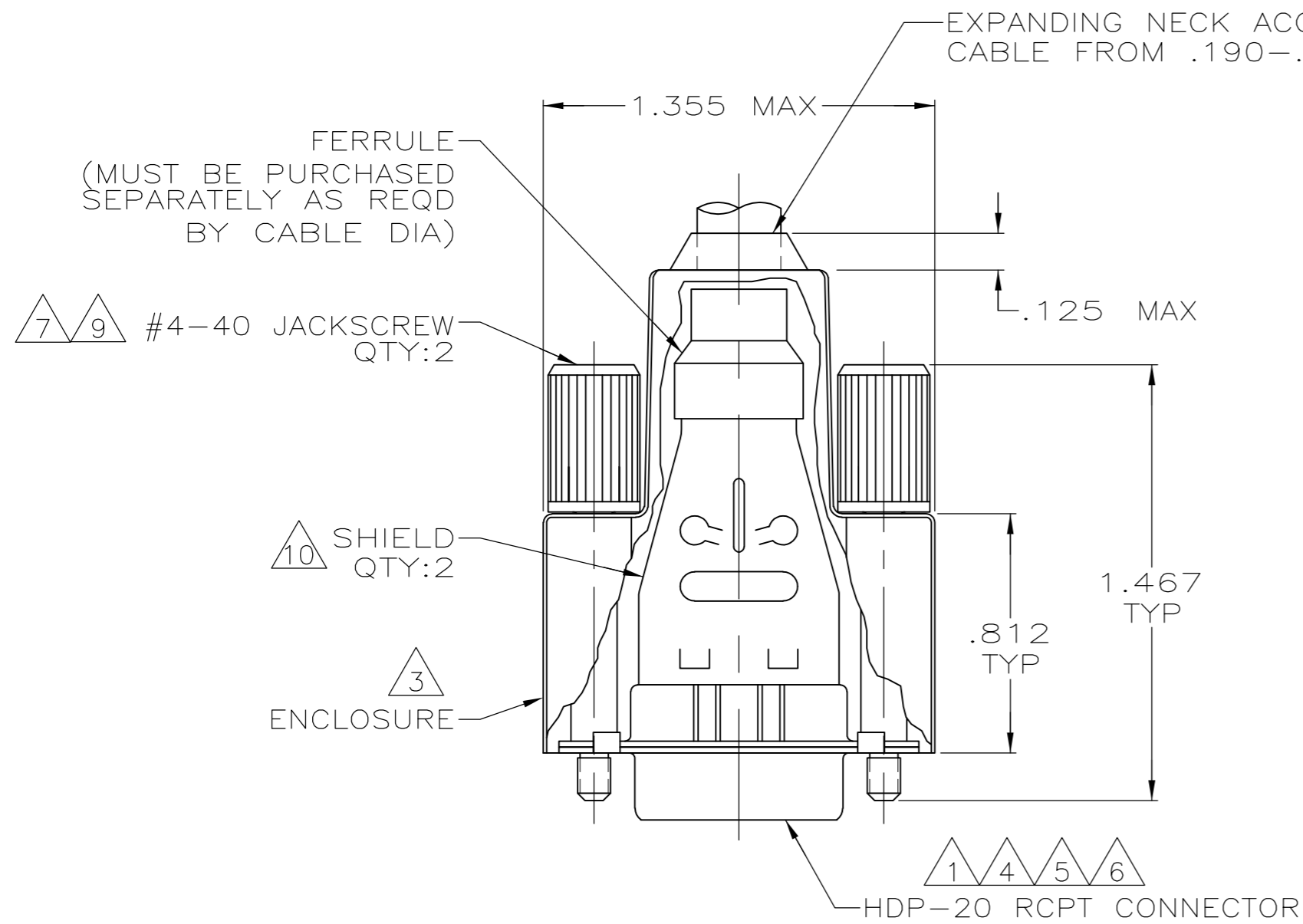


THIS DRAWING IS UNPUBLISHED. RELEASED FOR PUBLICATION
 © COPYRIGHT - By - ALL RIGHTS RESERVED.

REVISIONS				
P	LTR	DESCRIPTION	DATE	APVD
T		REVISED PER ECO-17-002903	20MAR2017	AP DG



- ① RECEPTACLE ACCEPTS SIZE DF SOCKET CONTACTS. CONTACTS MUST BE PURCHASED SEPARATELY.
- 2 ALL PARTS SHIPPED UNASSEMBLED.
- ③ STYRENE POLYOLEFIN OR PVC, 94V-0 RATED, FLAME RETARDANT, BLACK.
- ④ NYLON OR POLYESTER, 94V-0 RATED, GLASS FILLED, FLAME RETARDANT, BLACK.
- ⑤ STEEL PER ASTM A109.
- ⑥ .000200 MIN TIN PLATE OVER .000100 MIN COPPER UNDERPLATE.
- ⑦ BLACK ZINC FLAKE COATING.
- ⑧ COMPONENTS INDIVIDUALLY BULK PACKED.
- ⑨ CARBON STEEL, C1022.
- ⑩ STAINLESS STEEL.

⑧	W/LOGO	1658654-1
PACKAGING	REMARKS	PART NUMBER

THIS DRAWING IS A CONTROLLED DOCUMENT.		DWN J.REITZEL 31JUL03		
DIMENSIONS: INCHES		CHK S.BOLASH 31JUL03		
TOLERANCES UNLESS OTHERWISE SPECIFIED:		APVD M.WALMSLEY 31JUL03	NAME	
0 PLC ± -		PRODUCT SPEC	BULK KIT, RECEPTACLE, SHIELDING ENCLOSURE, SIZE 1, 9 POSN, AMPLIMITE™ HDP-20	
1 PLC ± -		APPLICATION SPEC	SIZE CAGE CODE DRAWING NO	
2 PLC ± -		108-40030	A2 00779 C=1658654	
3 PLC ± .020		114-40030	RESTRICTED TO	
4 PLC ± -		WEIGHT 0.000000	-	
ANGLES ± -		CUSTOMER DRAWING	SCALE 2:1 SHEET 1 of 1 REV T	
FINISH				

X-ON Electronics

Largest Supplier of Electrical and Electronic Components

Click to view similar products for [D-Sub Standard Connectors](#) category:

Click to view products by [TE Connectivity](#) manufacturer:

Other Similar products are found below :

[56F711-015](#) [012-9507-004](#) [LV242999-142T12](#) [015-0341-000](#) [015-0372-005](#) [015-0372-008](#) [015-8755-001](#) [020419-0104](#) [012-0467-000](#) [012-0515-000](#) [012-9507-034](#) [012-9507-114](#) [020745-0008](#) [609-25P](#) [M24308/2-23Z](#) [CT2-14S-2PCA34](#) [CT2-18-11PCAU](#) [CT6-10SL-3SC](#) [CT6-10SL-4SC](#) [CT6-14S-2SC](#) [CT6E14SA7SC](#) [M83513/01-FC](#) [M83723/76W24619 L/C](#) [M85049/48-3-2F](#) [6STD09PCM99B70X](#) [6STD09SCM99B30X](#) [6STD09SCT99S40X](#) [6STD15PCT99S40X](#) [6STD15SCM99B30X](#) [6STD15SCT99S40X](#) [6STF09PCM05B70X](#) [7-135760-9](#) [MC11E-10-6SN](#) [747552-3](#) [MD1-21PS](#) [MDM-15SCBRM7-F222](#) [MDM96517-699](#) [MDM96521-744](#) [MDVB1-21SL1](#) [MIK0-1-7SH003](#) [MIKQ6-7SH076](#) [MIKQ7-7PH077](#) [MIKQ7-7PH11](#) [MIKQ7-7PH32](#) [MJSV-28SL61](#) [MKJ4A1F14-55S](#) [8-135760-3](#) [8STD09PCM99B30X](#) [PG-KV/PV-16-GROM-SEALING](#) [GDA15P](#)