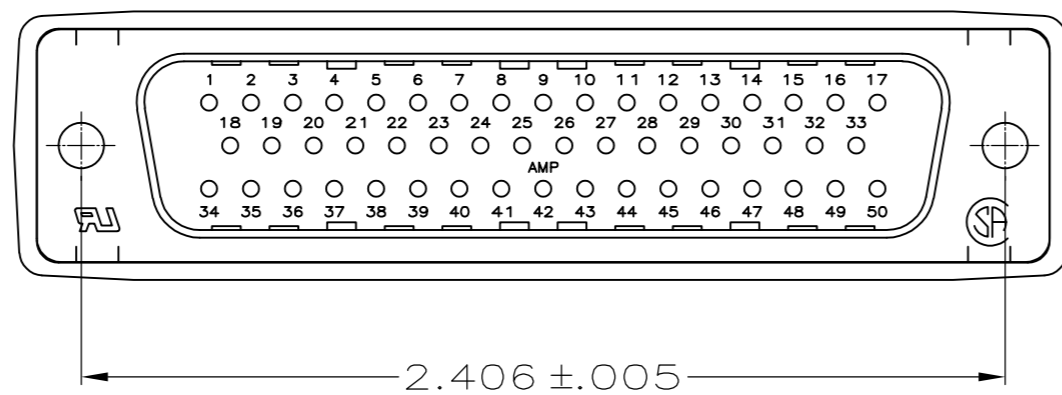
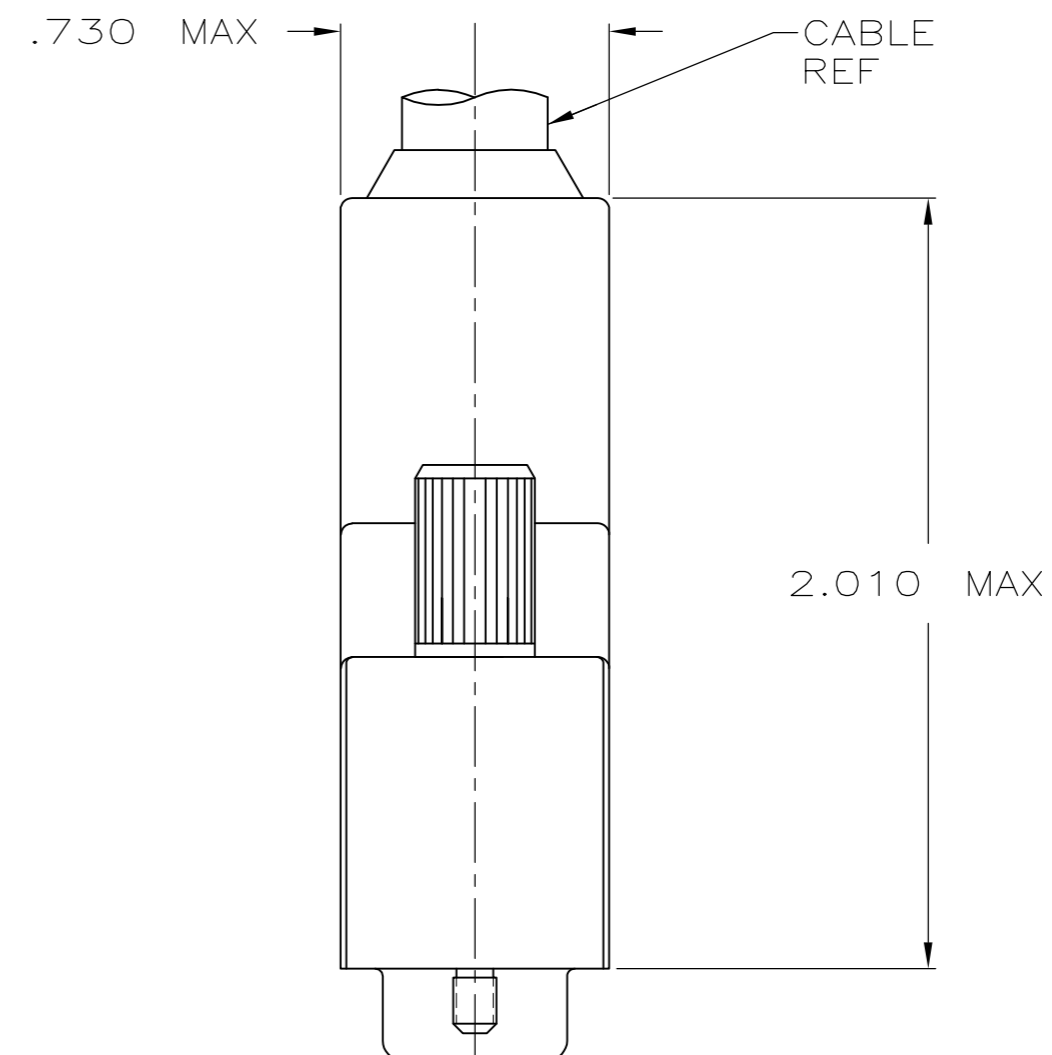
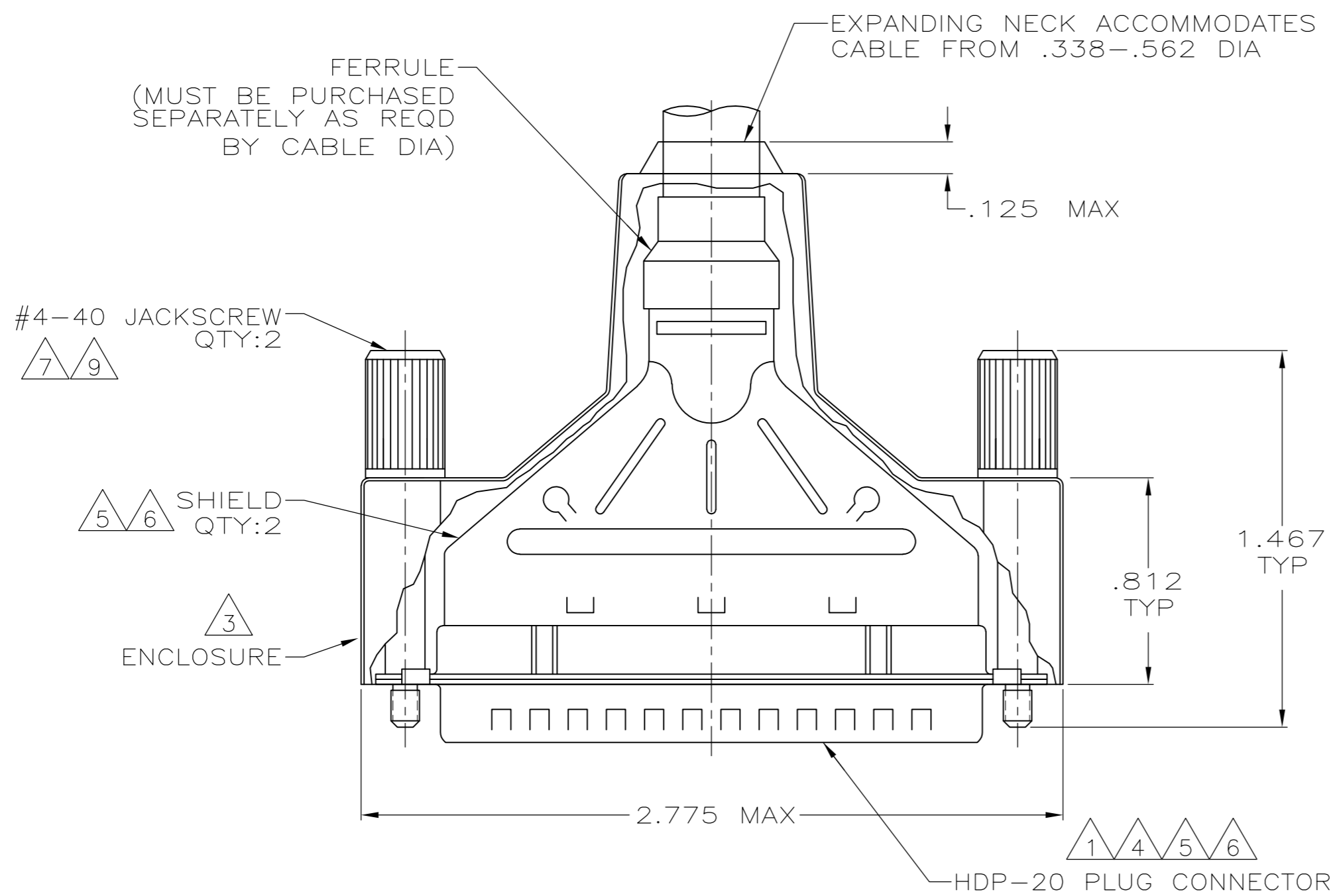


THIS DRAWING IS UNPUBLISHED. RELEASED FOR PUBLICATION  
 © COPYRIGHT - By - ALL RIGHTS RESERVED.

REVISIONS				
P	LTR	DESCRIPTION	DATE	APVD
C		REVISED PER ECO-17-002903	20MAR2017	AP DG



- 1 PLUG ACCEPTS SIZE 20 DF PIN CONTACTS. CONTACTS MUST BE PURCHASED SEPARATELY.
- 2 ALL PARTS SHIPPED UNASSEMBLED.
- 3 FLAME RETARDANT 94V-0 RATED, STYRENE POLYOLEFIN OR PVC, BLACK.
- 4 FLAME RETARDANT 94V-0 RATED GLASS FILLED, NYLON OR POLYESTER, BLACK.
- 5 STEEL PER ASTM A109.
- 6 .000200 MIN TIN PLATE OVER .000100 MIN COPPER UNDERPLATE.
- 7 BLACK ZINC FLAKE COATING.
- 8 COMPONENTS INDIVIDUALLY BULK PACKED.
- 9 CARBON STEEL, C1022.

8	W/LOGOS	1658661-1
PACKAGING	REMARKS	PART NUMBER

THIS DRAWING IS A CONTROLLED DOCUMENT.		DWN J.REITZEL 31JUL03	<b>TE</b> TE Connectivity	
DIMENSIONS: INCHES		CHK S.BOLASH 31JUL03		
TOLERANCES UNLESS OTHERWISE SPECIFIED:		APVD M.WALMSLEY 31JUL03	NAME	
0 PLC ± -		PRODUCT SPEC	BULK KIT, PLUG, SHIELDING	
1 PLC ± -		APPLICATION SPEC	ENCLOSURE, SIZE 5,	
2 PLC ± -		108-40030	50 POSN, AMPLIMITE™ HDP-20	
3 PLC ± .020		114-40030	SIZE A2	CAGE CODE 00779
4 PLC ± -		WEIGHT 0.000000	DRAWING NO	RESTRICTED TO
ANGLES ± -		CUSTOMER DRAWING	C=1658661	-
FINISH		SCALE 2:1	SHEET 1 of 1	REV C

## X-ON Electronics

Largest Supplier of Electrical and Electronic Components

*Click to view similar products for [D-Sub Standard Connectors](#) category:*

*Click to view products by [TE Connectivity](#) manufacturer:*

Other Similar products are found below :

[56F711-015](#) [012-9507-004](#) [LV242999-142T12](#) [015-0341-000](#) [015-0372-005](#) [015-0372-008](#) [015-8755-001](#) [020419-0104](#) [012-0467-000](#) [012-0515-000](#) [012-9507-034](#) [012-9507-114](#) [020745-0008](#) [609-25P](#) [M24308/2-23Z](#) [CT2-14S-2PCA34](#) [CT2-18-11PCAU](#) [CT6-10SL-3SC](#) [CT6-10SL-4SC](#) [CT6-14S-2SC](#) [CT6E14SA7SC](#) [M83513/01-FC](#) [M83723/76W24619 L/C](#) [M85049/48-3-2F](#) [6STD09PCM99B70X](#) [6STD09SCM99B30X](#) [6STD09SCT99S40X](#) [6STD15PCT99S40X](#) [6STD15SCM99B30X](#) [6STD15SCT99S40X](#) [6STF09PCM05B70X](#) [7-135760-9](#) [MC11E-10-6SN](#) [747552-3](#) [MD1-21PS](#) [MDM-15SCBRM7-F222](#) [MDM96517-699](#) [MDM96521-744](#) [MDVB1-21SL1](#) [MIK0-1-7SH003](#) [MIKQ6-7SH076](#) [MIKQ7-7PH077](#) [MIKQ7-7PH11](#) [MIKQ7-7PH32](#) [MJSV-28SL61](#) [MKJ4A1F14-55S](#) [8-135760-3](#) [8STD09PCM99B30X](#) [PG-KV/PV-16-GROM-SEALING](#) [GDA15P](#)