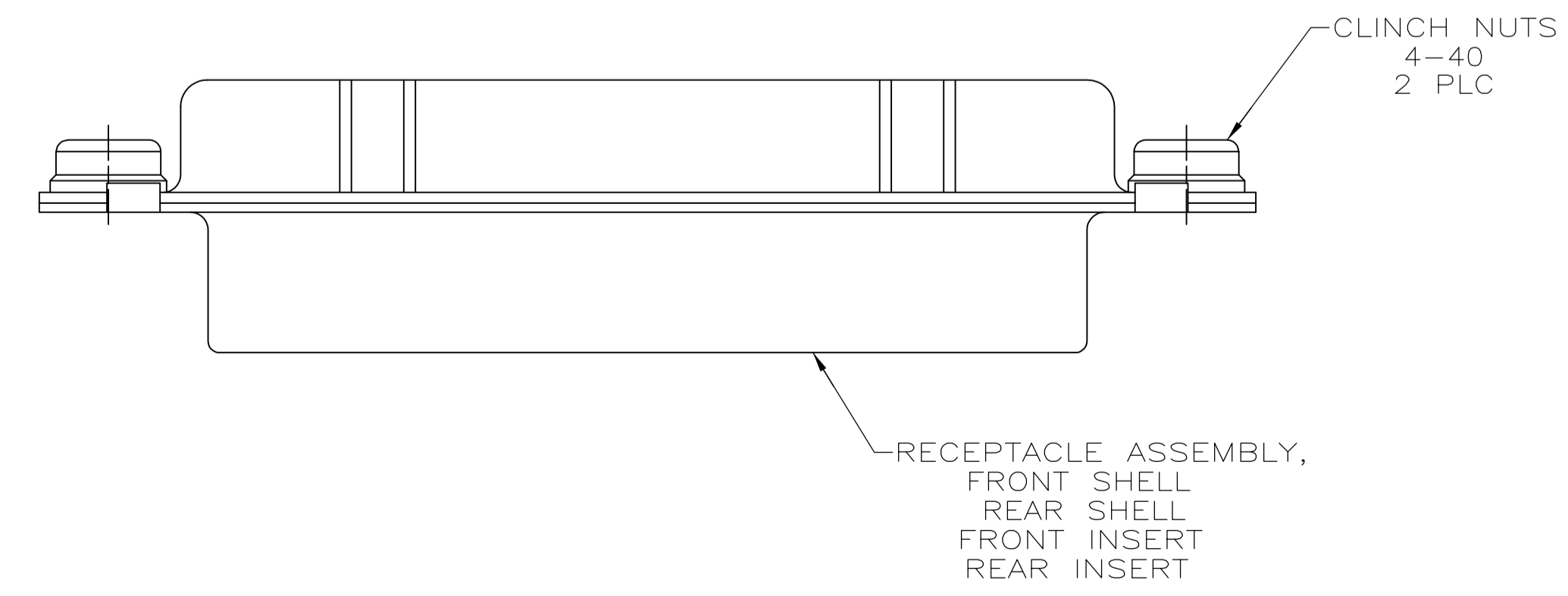
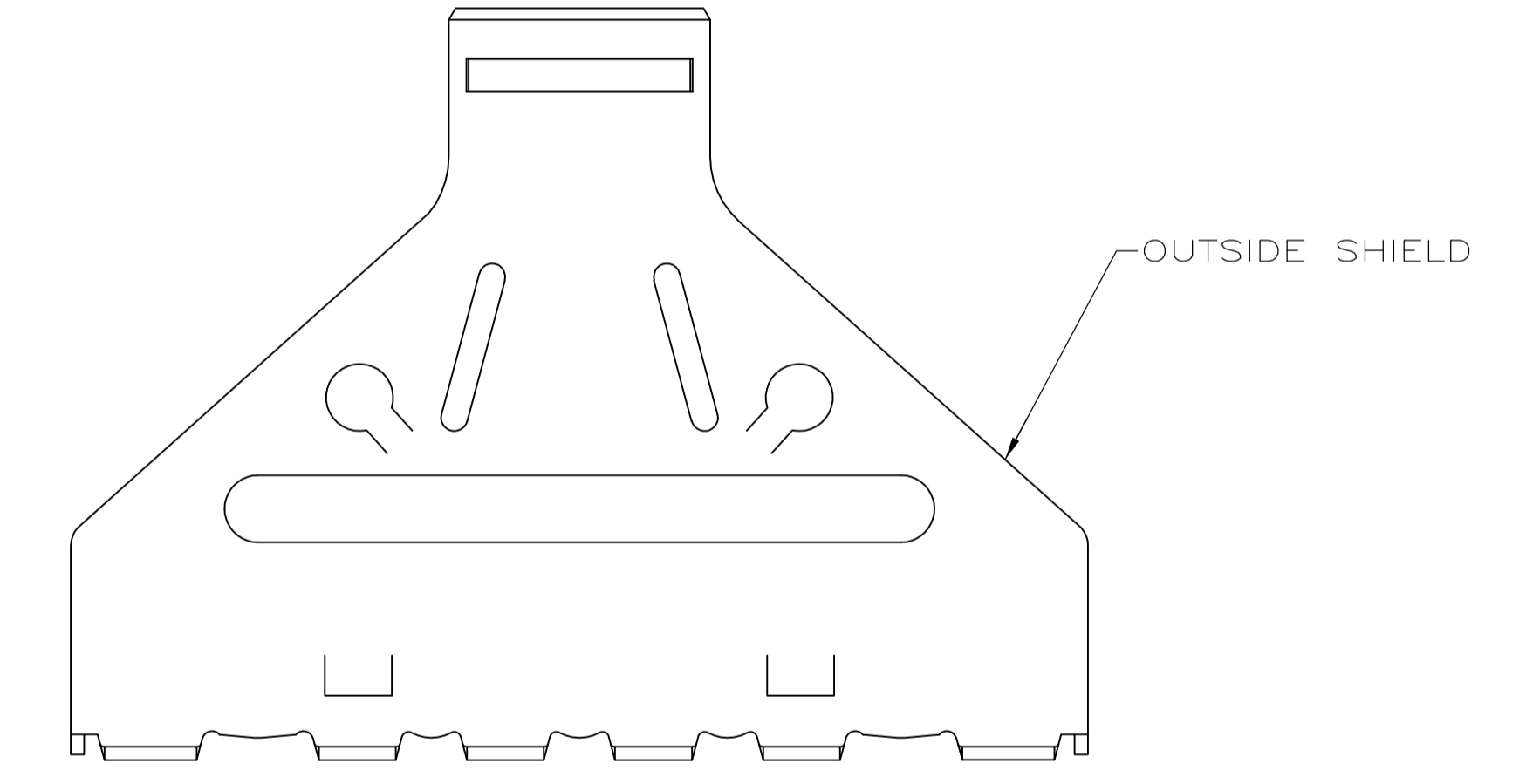
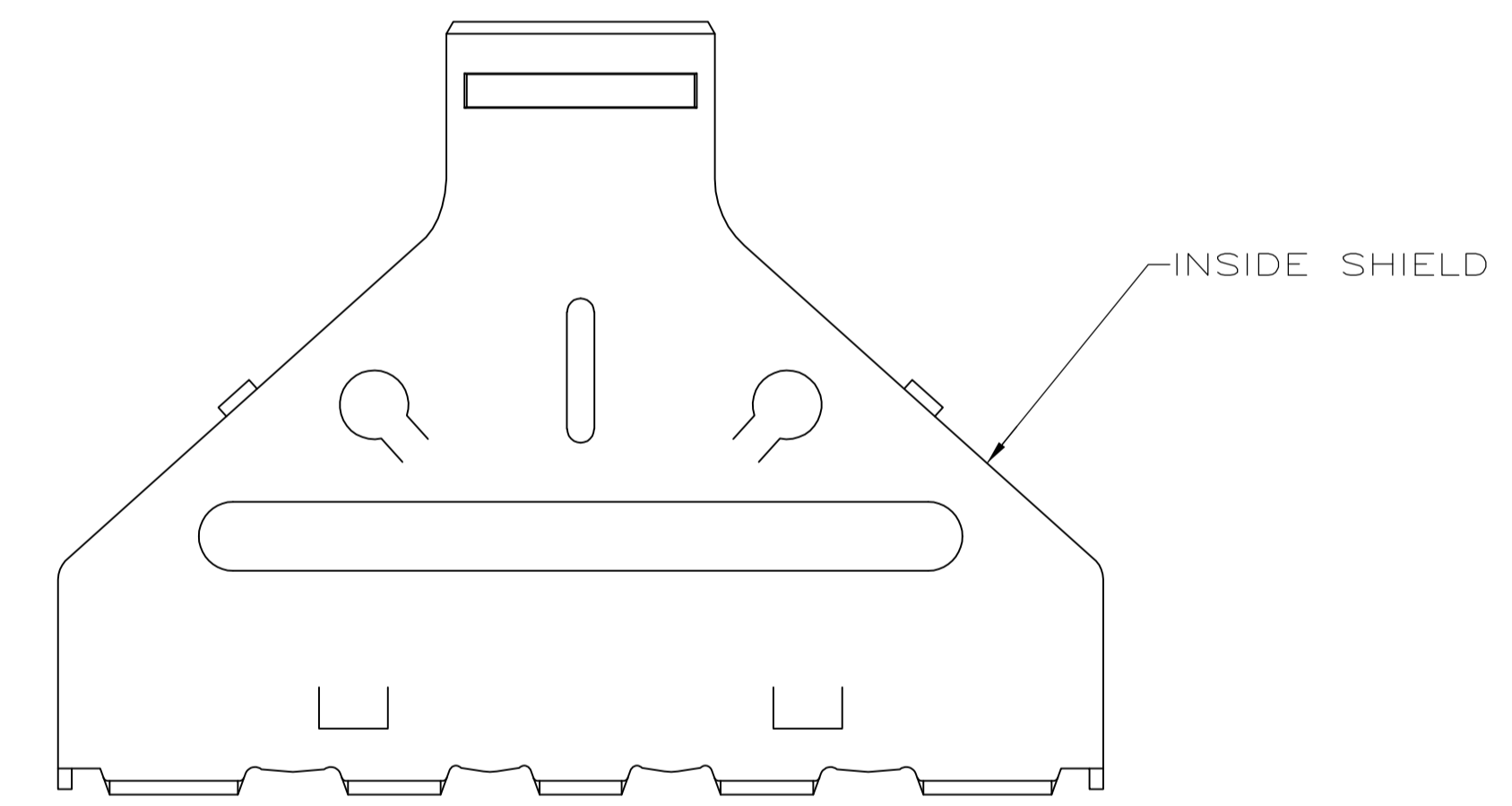
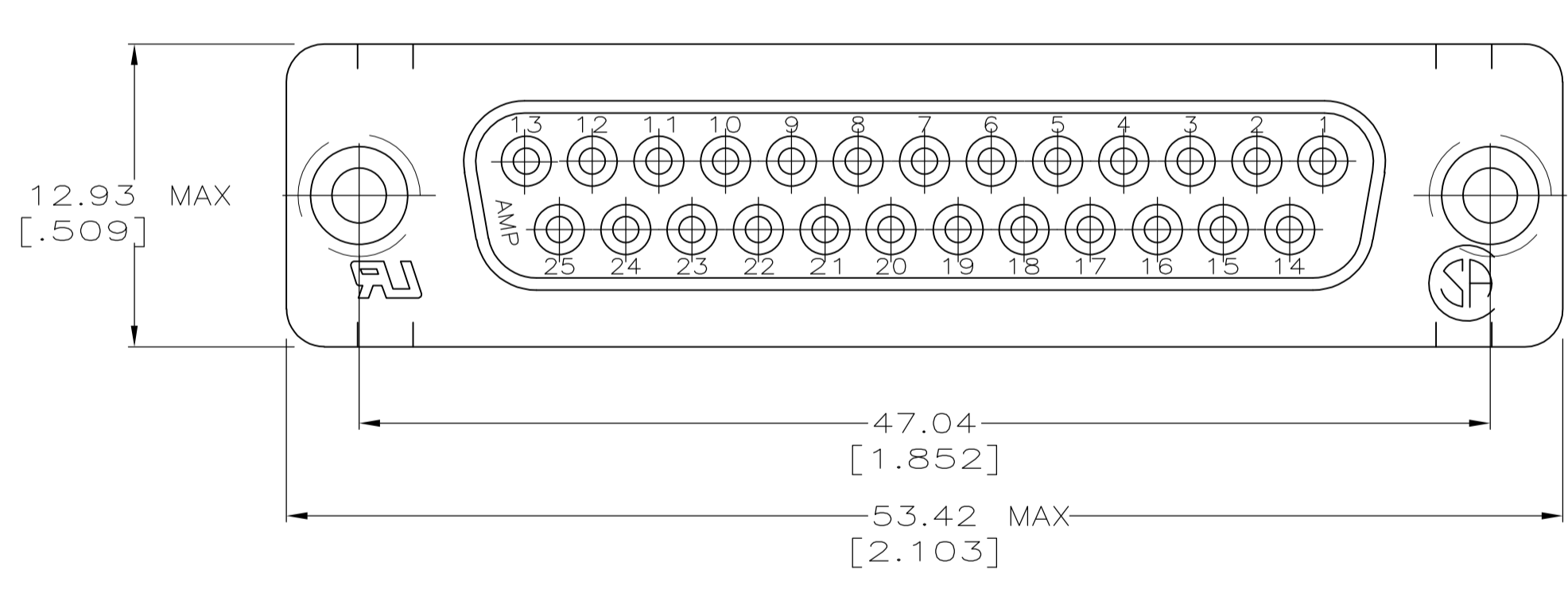


- 1 RECEPTACLE ACCEPTS SIZE 20 SOCKET CONTACTS. CONTACTS MUST BE ORDERED SEPARATELY. ASSEMBLY MATES WITH ANY 25 POSN PLUG IN AMPLIMITE® SERIES.
- 2 GLASS-FILLED PBT OR GLASS-FILLED NYLON, UL94V-0 RATED. COLOR: BLACK
- 3 CARBON STEEL PER ASTM A 109.
- 4 5.08µm [.000200] MIN TIN OVER 2.54µm [.000100] MIN COPPER.
- 5 ZINC PLATED.
- 6 EACH PART INDIVIDUALLY BULK PACKED.



1658662-1
PART NUMBER

THIS DRAWING IS A CONTROLLED DOCUMENT.		DIN J. REITZEL 31JUL03	STE TE Connectivity	
DIMENSIONS: mm [INCHES]		CHK S. BOLASH 31JUL03	NAME M. WALMSLEY 31JUL03	
TOLERANCES UNLESS OTHERWISE SPECIFIED:		APVD	PRODUCT SPEC	
0 PLC ± -	1 PLC ± -	NAME	RECEPTACLE KIT, SIZE 3, 25 POSN, WITH CLINCH NUTS, SHIELDING HARDWARE, AMPLIMITE™ HDP-20	
2 PLC ± ± 0.13[.005]	3 PLC ± ± -	PRODUCT SPEC	108-40030	
4 PLC ± ± -	ANGLES ± ± °	APPLICATION SPEC	114-40030	
MATERIAL	FINISH	SIZE	CAGE CODE	DRAWING NO
SHELLS & SHIELDS: Δ	SHELLS & SHIELDS: Δ	WEIGHT	A1	00779
CLINCH NUTS: Δ	CLINCH NUTS: Δ	CUSTOMER DRAWING	SCALE	2:1
		SHEET	1	OF 1
		REV		

X-ON Electronics

Largest Supplier of Electrical and Electronic Components

Click to view similar products for [D-Sub Standard Connectors](#) category:

Click to view products by [TE Connectivity](#) manufacturer:

Other Similar products are found below :

[56F711-015](#) [012-9507-004](#) [LV242999-142T12](#) [015-0341-000](#) [015-0372-005](#) [015-0372-008](#) [015-8755-001](#) [020419-0104](#) [012-0467-000](#) [012-0515-000](#) [012-9507-034](#) [012-9507-114](#) [020745-0008](#) [609-25P](#) [M24308/2-23Z](#) [CT2-14S-2PCA34](#) [CT2-18-11PCAU](#) [CT6-10SL-3SC](#) [CT6-10SL-4SC](#) [CT6-14S-2SC](#) [CT6E14SA7SC](#) [M83513/01-FC](#) [M83723/76W24619 L/C](#) [M85049/48-3-2F](#) [6STD09PCM99B70X](#) [6STD09SCM99B30X](#) [6STD09SCT99S40X](#) [6STD15PCT99S40X](#) [6STD15SCM99B30X](#) [6STD15SCT99S40X](#) [6STF09PCM05B70X](#) [7-135760-9](#) [MC11E-10-6SN](#) [747552-3](#) [MD1-21PS](#) [MDM-15SCBRM7-F222](#) [MDM96517-699](#) [MDM96521-744](#) [MDVB1-21SL1](#) [MIK0-1-7SH003](#) [MIKQ6-7SH076](#) [MIKQ7-7PH077](#) [MIKQ7-7PH11](#) [MIKQ7-7PH32](#) [MJSV-28SL61](#) [MKJ4A1F14-55S](#) [8-135760-3](#) [8STD09PCM99B30X](#) [PG-KV/PV-16-GROM-SEALING](#) [GDA15P](#)