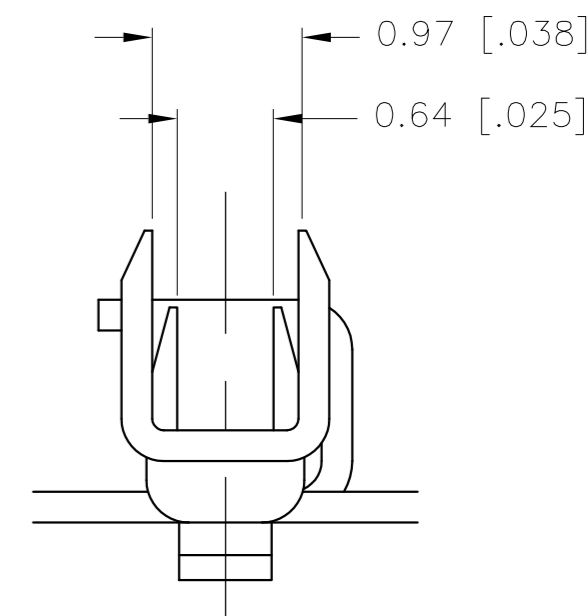
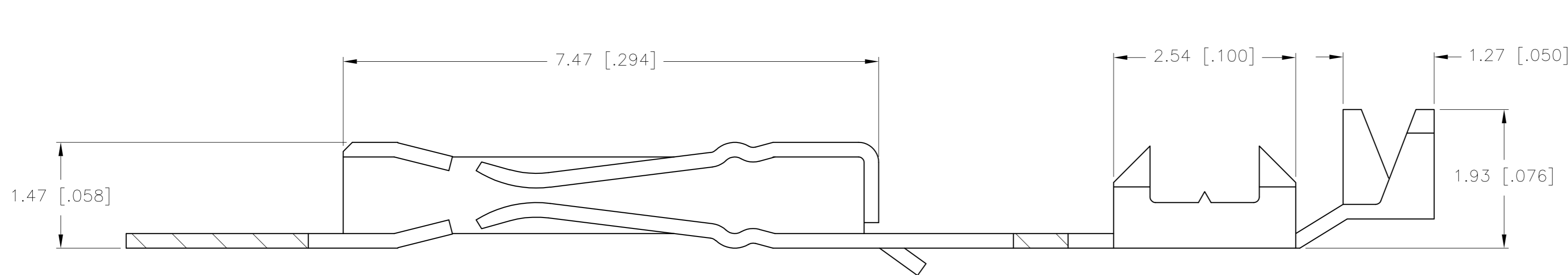
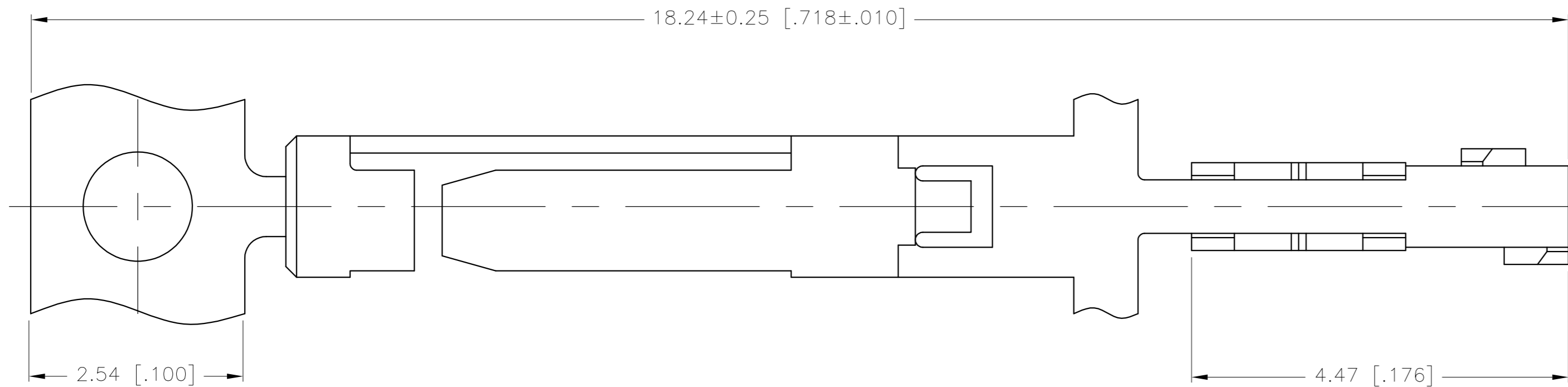


THIS DRAWING IS UNPUBLISHED. RELEASED FOR PUBLICATION  
 © COPYRIGHT BY TYCO ELECTRONICS CORPORATION. ALL RIGHTS RESERVED.

LOC	DIST	REVISIONS			
P	LTR	DESCRIPTION	DATE	DWN	APVD
GP	00	A	REVISED PER ECO-07-022535	10NOV07	JDP CWR

① COPPER-NICKEL ALLOY, 0.20[.008] THICK.  
 ② 0.00254[.000100] MIN TIN OVER 0.00127[.000050] MIN NICKEL.



1658665

PHYSICAL PROPERTIES	
CONTACT RETENTION FORCE:	44 N
INSERTION FORCE:	1.4 N PER CONTACT
EXTRACTION FORCE:	1 N PER CONTACT
ELECTRICAL PROPERTIES	
CURRENT RATING:	3 AMPS PER PIN
ENVIRONMENTAL PROPERTIES	
TEMPERATURE RATING:	-40°C TO +105°C

1658665-1  
 PART NUMBER

THIS DRAWING IS A CONTROLLED DOCUMENT.		DWN	J.GERACE	26AUG04	Tyco Electronics Corporation Harrisburg, PA 17105-3608							
DIMENSIONS: mm [INCHES]		CHK	S.BOLASH	26AUG04								
TOLERANCES UNLESS OTHERWISE SPECIFIED:		APVD	M.WALMSLEY	26AUG04								
0 PLC ± - 1 PLC ± - 2 PLC ± - 3 PLC ± 0.13[.005] 4 PLC ± - ANGLES ± - FINISH		PRODUCT SPEC	NAME			CONTACT, SOCKET, FLEXPAC®						
MATERIAL		APPLICATION SPEC	-		SIZE	A2	CAGE CODE	00779	DRAWING NO	C=1658665	RESTRICTED TO	-
①		WEIGHT	-		SCALE	20:1	SHEET	1 of 1	REV	A	CUSTOMER DRAWING	

## X-ON Electronics

Largest Supplier of Electrical and Electronic Components

*Click to view similar products for [Headers & Wire Housings](#) category:*

*Click to view products by [TE Connectivity](#) manufacturer:*

Other Similar products are found below :

[892-18-020-10-001101](#) [58102-G61-06LF](#) [582553-1](#) [0009485154](#) [009176003701906](#) [0050291907](#) [LY20-4P-DT1-P1E-BR](#) [02.125.8002.8](#)  
[609-3404](#) [61062-3](#) [61082-181009](#) [622-3653LF](#) [63453-116](#) [636-1030](#) [636-1427](#) [636-3427](#) [636-4007](#) [641938-9](#) [641991-4](#) [644827-2](#) [65817-010LF](#) [65817-015LF](#) [65863-015LF](#) [66207-023LF](#) [67095-007LF](#) [67601157](#) [68645-018](#) [68648-049](#) [70.362.1628.0](#) [70-4210](#) [70-4226B](#) [70-4853B](#) [707-5020](#) [707-5028](#) [71.350.2428.0](#) [71918-208LF](#) [71961-016LF](#) [733-134](#) [733-162](#) [754199-000](#) [760-3052](#) [787-8014-00](#) [79531-3000](#)  
[FCN-360C032-B](#) [FCN-367T-T012/H](#) [FCN-723D010/2](#) [80.063.4001.1](#) [800-90-001-10-001000](#) [800-90-010-10-002000](#) [801-43-002-10-013000](#)