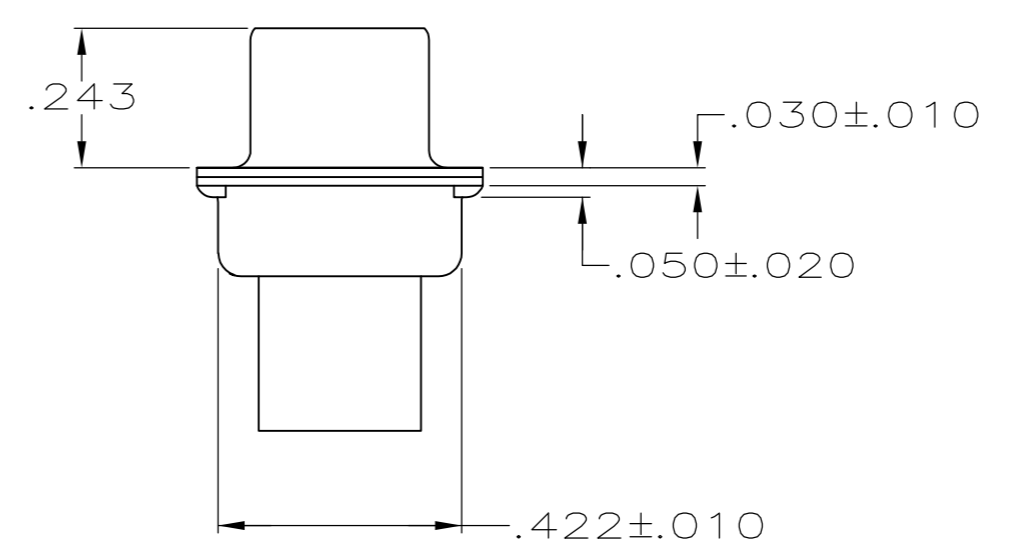
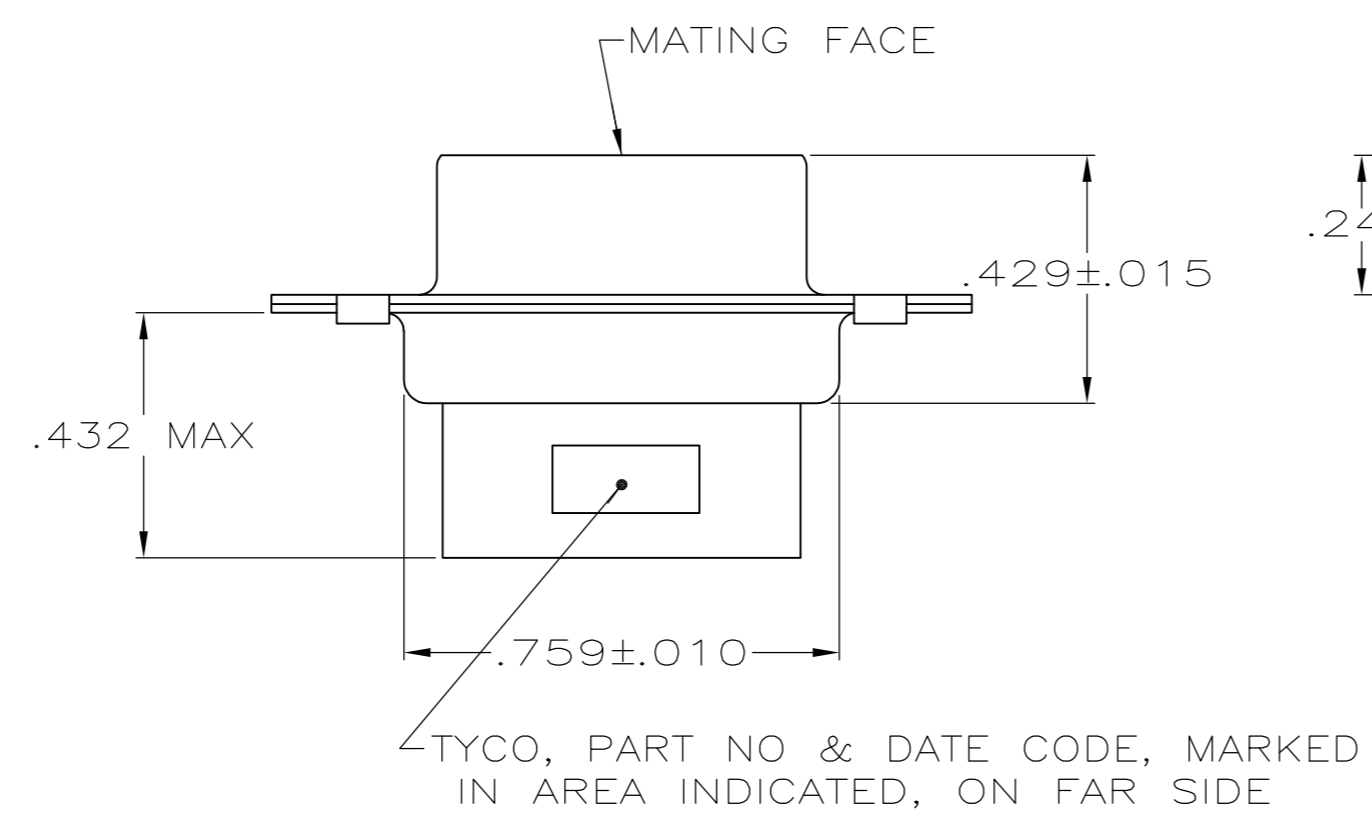
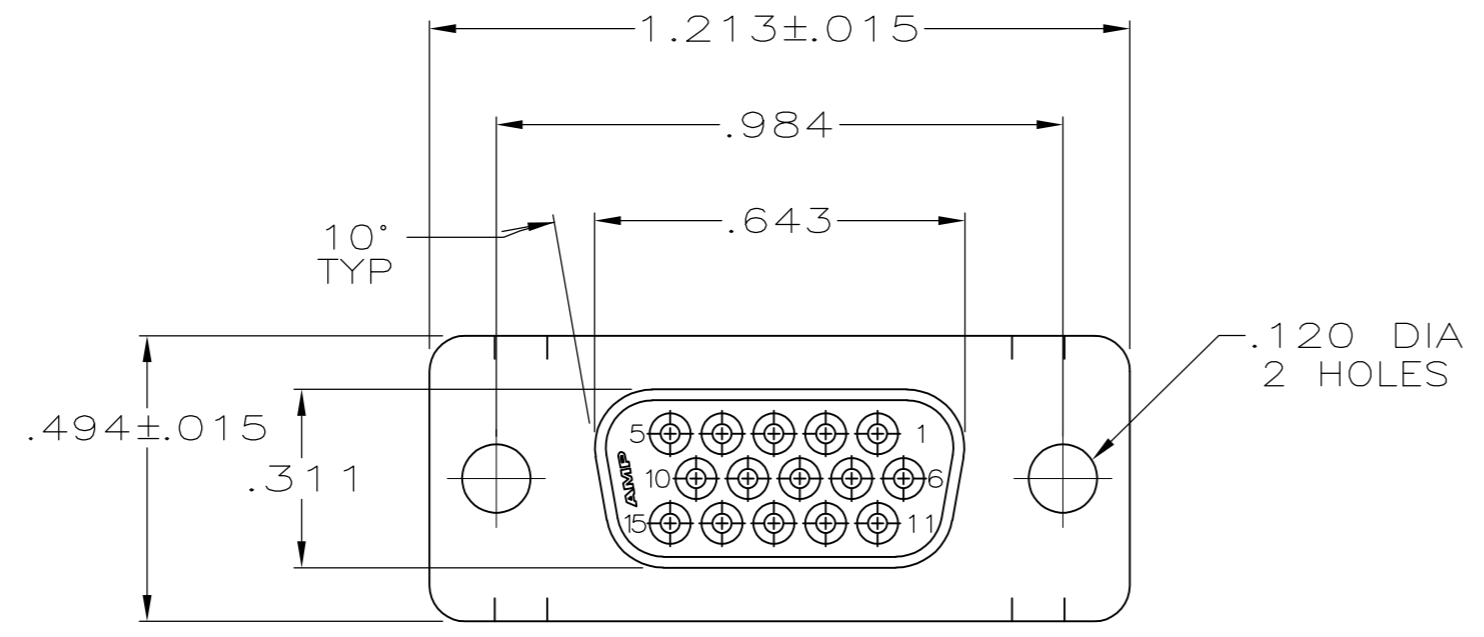


THIS DRAWING IS UNPUBLISHED. RELEASED FOR PUBLICATION
 © COPYRIGHT - By - ALL RIGHTS RESERVED.

LOC	DIST	REVISIONS			
P	LTR	DESCRIPTION	DATE	DWN	APVD
GP	00				
	C1	REVISED PER ECO-11-004835	11MAR11	RK	HMR



- 1. CONNECTOR ACCEPTS 22 DF SOCKET CONTACTS, RETENTION TINES ARE AN INTEGRAL PART OF INSERT.
- 2 MATERIAL: MOLDED PARTS - FLAME RETARDANT 94V-0 RATED, GLASS FILLED NYLON, COLOR: BLACK. SHELLS - CARBON STEEL.
- 3 FINISH: SHELLS - .000200 MIN TIN OVER .000100 MIN COPPER UNDERPLATE.

1658681-1
 PART NUMBER

THIS DRAWING IS A CONTROLLED DOCUMENT.		DWN L. BAUM 02JAN04	TE TE Connectivity	
DIMENSIONS: INCHES		CHK S. BOLASH 02JAN04		
TOLERANCES UNLESS OTHERWISE SPECIFIED:		APVD M. WALMSLEY 02JAN04	NAME	
0 PLC ± -		PRODUCT SPEC	RECEPTACLE ASSEMBLY, SIZE 1, 15 POSN, HDP-22, AMPLIMITE®	
1 PLC ± -		APPLICATION SPEC	-	
2 PLC ± -		108-1268	SIZE	CAGE CODE
3 PLC ± .005		114-10001	A2	00779
4 PLC ± -		WEIGHT -	DRAWING NO	RESTRICTED TO
ANGLES ± 2°		CUSTOMER DRAWING	C=1658681	-
FINISH		SCALE 3:1	SHEET 1 of 1	REV C1

X-ON Electronics

Largest Supplier of Electrical and Electronic Components

Click to view similar products for [D-Sub High Density Connectors](#) category:

Click to view products by [TE Connectivity](#) manufacturer:

Other Similar products are found below :

[97-3250-11](#) [163A16809X](#) [163A17089X](#) [164A17199X](#) [164C18629X](#) [242A25680X](#) [L717HDB44POL2R210](#) [L717HDEH15POL2](#)
[L777HDE15P](#) [L77HDE15SC309](#) [163A16759X](#) [163A16839X](#) [163A16989X](#) [163A17079X](#) [164A17329X](#) [164A18219X](#) [241A16440X](#)
[241A16550X](#) [241A16680X](#) [241A20810X](#) [241A25740X](#) [CT25-44P](#) [MDBE15PE766](#) [L177HDE15SOL2RM23](#) [L177HRC62S](#)
[L177HRC62SVFM](#) [L177HRCG62S](#) [L717HDEG15POL2RM5](#) [L77HDA26SVF](#) [L77HDE15SD1CO](#) [L77HDEH15SOL2RM832](#) [443895-3](#)
[106698-1](#) [280-012K2C](#) [L177HRB44S](#) [164A17039X](#) [09562004701510](#) [164A17969X](#) [L777HRC62P](#) [241A17960X](#) [164A18269X](#)
[L777HDEG15P](#) [280-018P3S25MEGN](#) [206504-2](#) [40-9515HDSP](#) [2057140-1](#) [C115370-6002](#) [DFMA104SNMBFR172FR022](#) [HDC9F200E2S](#)
[L717HDAG26POL2RM8](#)