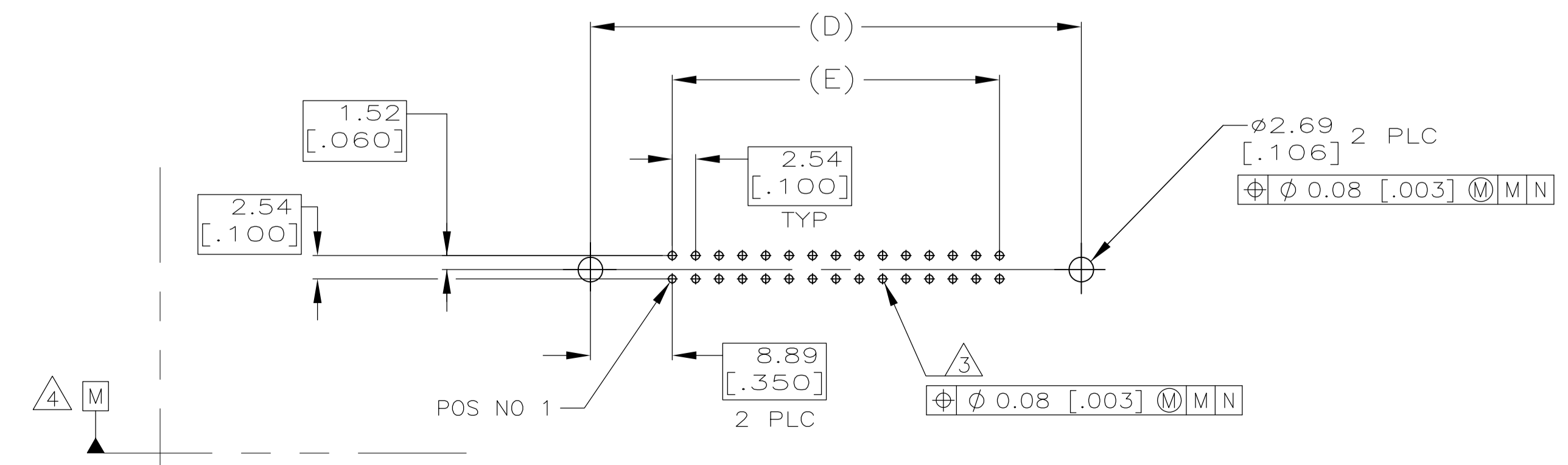
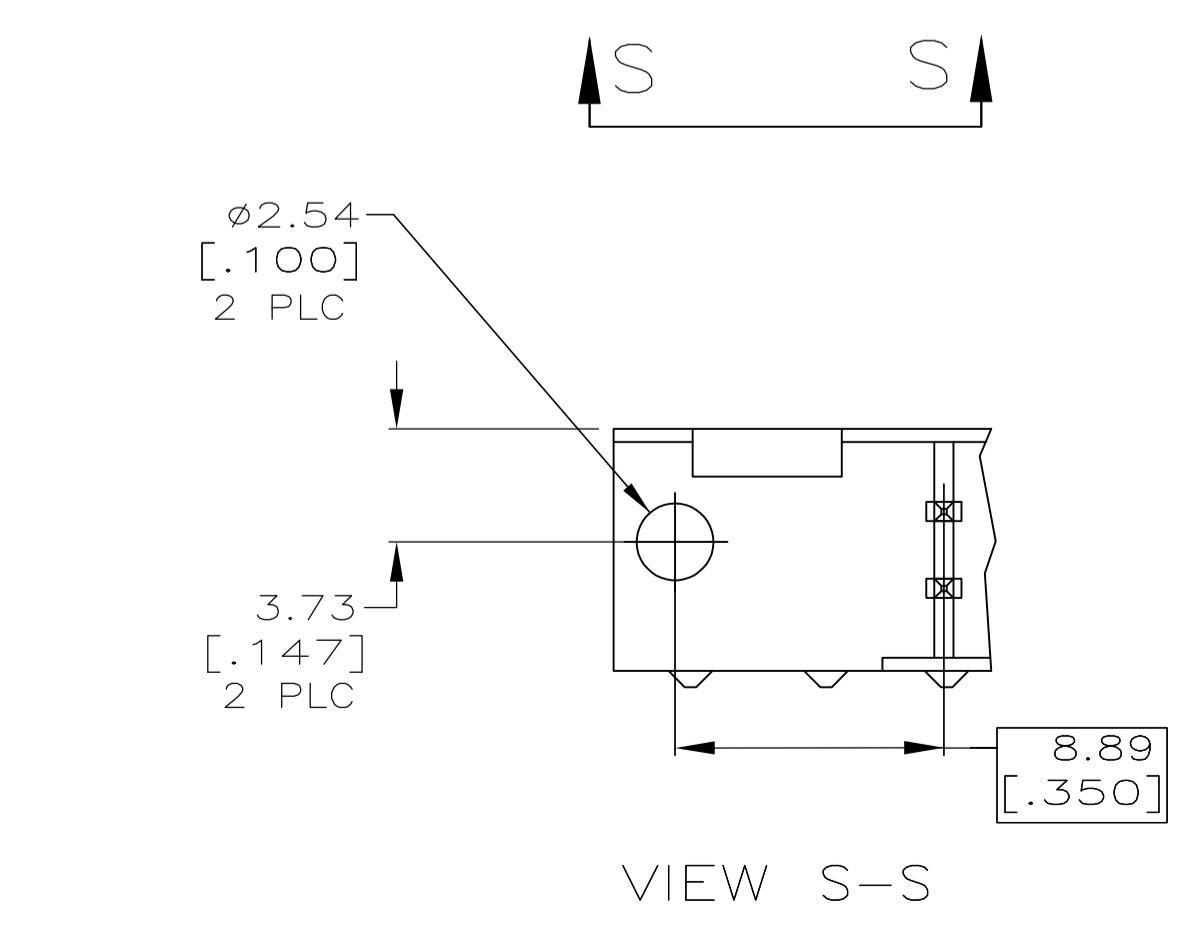
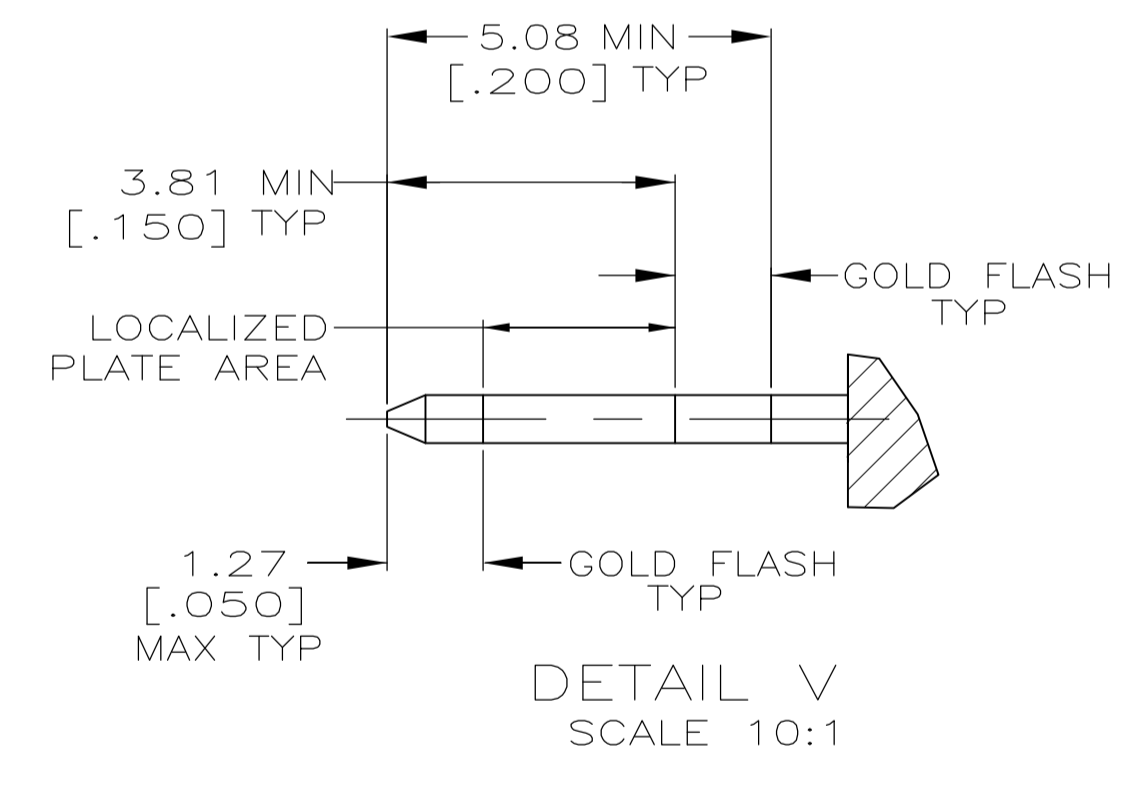
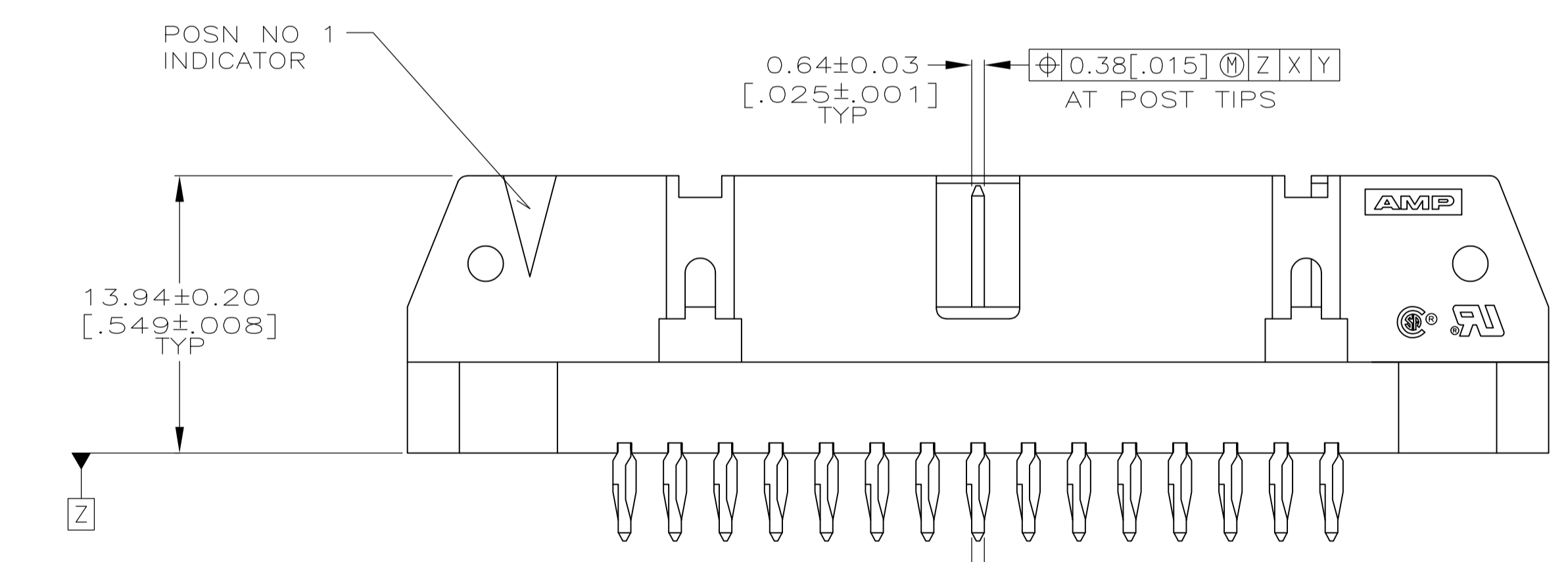
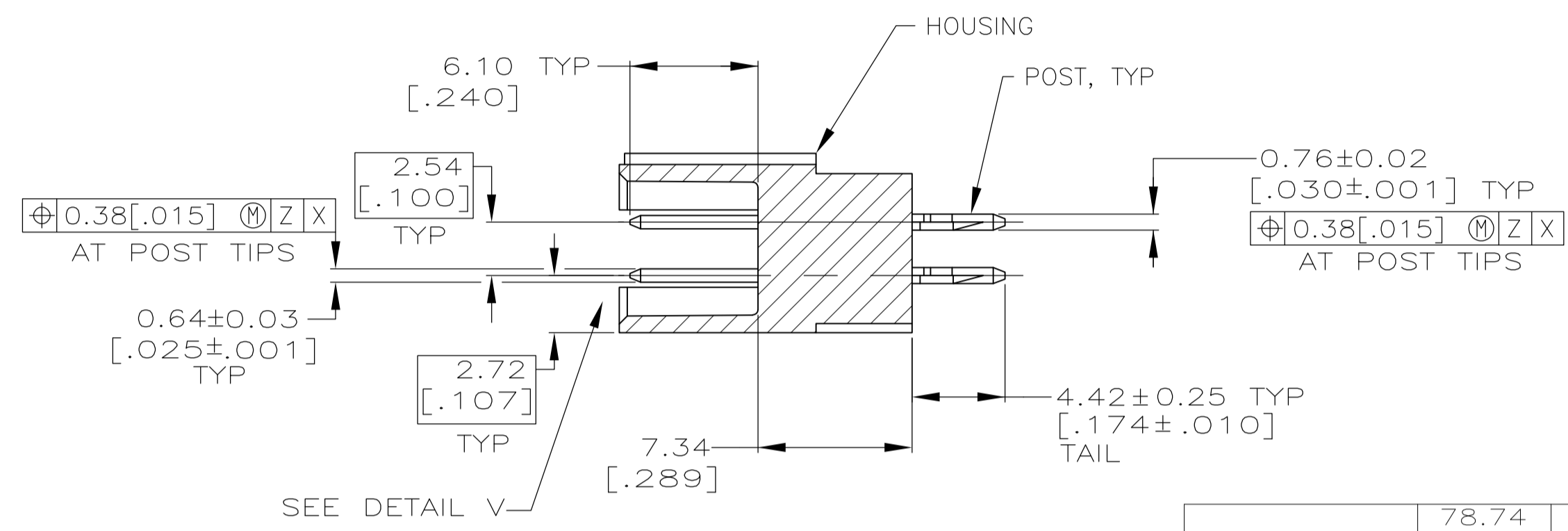
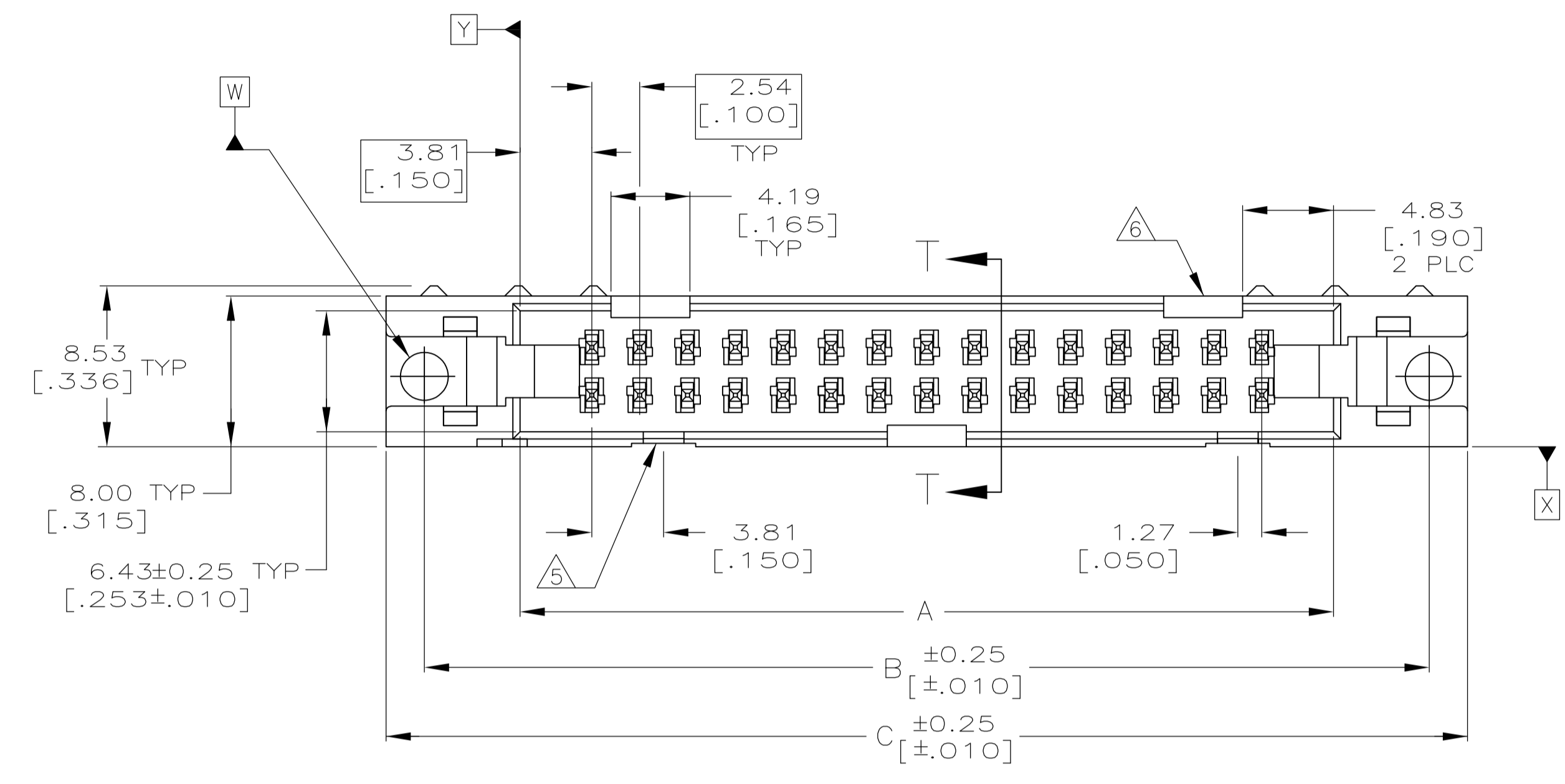


- 1 HOUSING: GLASS FILLED NYLON OR POLYESTER, 94V-0 RATED, COLOR SEE TABLE.  
POSTS: PHOSPHOR BRONZE.
- 2 POSTS: GOLD FLASH OVER PALLADIUM-NICKEL PLATE, 0.76µm[.000030] MIN TOTAL ON THE LOCALIZED PLATE AREA, 2.54µm[.000100] MIN TIN PLATE ON THE TAIL, 1.27µm[.000050] MIN NICKEL UNDERPLATE ON THE ENTIRE POST.  
-OR-  
0.76µm[.000030] MIN GOLD PLATE ON THE LOCALIZED PLATE AREA, 2.54µm[.000100] MIN TIN PLATE ON THE TAIL, 1.27µm[.000050] MIN NICKEL UNDERPLATE ON THE ENTIRE POST.
- 3 REFER TO APPLICATION SPECIFICATION 114-40020 FOR HOLE SIZE AND FINISH RECOMMENDATIONS.
- 4 DATUMS M & N TO BE ESTABLISHED BY CUSTOMER.
- 5 NO SLOT FOR SNAP-IN POLARIZER ON THIS END FOR 10 AND 14 POSITION HEADERS.
- 6 NO SLOT ON THIS END FOR 10 POSITION HEADERS.



RECOMMENDED PC BOARD MOUNTING DIMENSIONS SCALE 2:1

OBSOLETE	BLUE	78.74	96.52	100.58	96.52	86.36	64	3-1658694-2
		[3.100]	[3.800]	[3.960]	[3.800]	[3.400]		
OBSOLETE	BLACK	60.96	78.74	82.80	78.74	68.58	50	3-1658694-0
		[2.400]	[3.100]	[3.260]	[3.100]	[2.700]		
		48.26	66.04	70.10	66.04	55.88	40	2-1658694-9
		[1.900]	[2.600]	[2.760]	[2.600]	[2.200]		
		40.64	58.42	62.48	58.42	48.26	34	2-1658694-8
		[1.600]	[2.300]	[2.460]	[2.300]	[1.900]		
		30.48	48.26	52.32	48.26	38.10	26	2-1658694-6
		[1.200]	[1.900]	[2.060]	[1.900]	[1.500]		
		22.86	40.64	44.70	40.64	30.48	20	2-1658694-4
		[.900]	[1.600]	[1.760]	[1.600]	[1.200]		
OBSOLETE	BLACK	17.78	35.56	39.62	35.56	25.40	16	2-1658694-3
		[.700]	[1.400]	[1.560]	[1.400]	[1.000]		
		15.24	33.02	37.08	33.02	22.86	14	2-1658694-2
		[.600]	[1.300]	[1.460]	[1.300]	[.900]		
		10.16	27.94	32.00	27.94	17.78	10	2-1658694-1
		[.400]	[1.100]	[1.260]	[1.100]	[.700]		
		73.66	91.44	95.50	91.44	81.28	60	1-1658694-2
		[2.900]	[3.600]	[3.760]	[3.600]	[3.200]		
		40.64	58.42	62.48	58.42	48.26	34	1-1658694-1
		[1.600]	[2.300]	[2.460]	[2.300]	[1.900]		
OBSOLETE	BLACK	35.56	53.34	57.40	53.34	43.18	30	1-1658694-0
		[1.400]	[2.100]	[2.260]	[2.100]	[1.700]		
		25.40	45.72	49.78	45.72	35.56	24	1658694-9
		[1.100]	[1.800]	[1.960]	[1.800]	[1.400]		
		17.78	35.56	39.62	35.56	25.40	16	1658694-8
		[.700]	[1.400]	[1.560]	[1.400]	[1.000]		
		15.24	33.02	37.08	33.02	22.86	14	1658694-7
		[.600]	[1.300]	[1.460]	[1.300]	[.900]		
		10.16	27.94	32.00	27.94	17.78	10	1658694-6
		[.400]	[1.100]	[1.260]	[1.100]	[.700]		
OBSOLETE	BLACK	78.74	96.52	100.58	96.52	86.36	64	1658694-5
		[3.100]	[3.800]	[3.960]	[3.800]	[3.400]		
		60.96	78.74	82.80	78.74	68.58	50	1658694-4
		[2.400]	[3.100]	[3.260]	[3.100]	[2.700]		
		48.26	66.04	70.10	66.04	55.88	40	1658694-3
		[1.900]	[2.600]	[2.760]	[2.600]	[2.200]		
		30.48	48.26	52.32	48.26	38.10	26	1658694-2
		[1.200]	[1.900]	[2.060]	[1.900]	[1.500]		
		22.86	40.64	44.70	40.64	30.48	20	1658694-1
		[.900]	[1.600]	[1.760]	[1.600]	[1.200]		
HOUSING COLOR	E	D	C	B	A	NO OF POSN	PART NUMBER	

THIS DRAWING IS A CONTROLLED DOCUMENT.

DIMENSIONS: mm [INCHES]	TOLERANCES UNLESS OTHERWISE SPECIFIED:	DIN R. SAMICK 12JAN2004	12JAN2004
0 PLC ± -	1 PLC ± -	2 PLC ± -	3 PLC ± 0.13[.005]
4 PLC ± -	ANGLES ± -	APPROVED: M. WALMSLEY 12JAN2004	NAME
MATERIAL	FINISH	PRODUCT SPEC	108-40019
		APPLICATION SPEC	114-40020
		WEIGHT	A1 00779
		CAGE CODE	1658694
		DRAWING NO	1658694
		RESTRICTED TO	
		CUSTOMER DRAWING	SCALE 4:1 SHEET 1 OF 1 REV H

## X-ON Electronics

Largest Supplier of Electrical and Electronic Components

*Click to view similar products for [Headers & Wire Housings](#) category:*

*Click to view products by [TE Connectivity](#) manufacturer:*

Other Similar products are found below :

[892-18-020-10-001101](#) [58102-G61-06LF](#) [582553-1](#) [0009485154](#) [009176003701906](#) [0050291907](#) [LY20-4P-DT1-P1E-BR](#) [02.125.8002.8](#)  
[609-3404](#) [61062-3](#) [61082-181009](#) [622-3653LF](#) [63453-116](#) [636-1030](#) [636-1427](#) [636-3427](#) [636-4007](#) [641938-9](#) [641991-4](#) [644827-2](#) [65817-010LF](#) [65817-015LF](#) [65863-015LF](#) [66207-023LF](#) [67095-007LF](#) [67601157](#) [68645-018](#) [68648-049](#) [70.362.1628.0](#) [70-4210](#) [70-4226B](#) [70-4853B](#) [707-5020](#) [707-5028](#) [71.350.2428.0](#) [71918-208LF](#) [71961-016LF](#) [733-134](#) [733-162](#) [754199-000](#) [760-3052](#) [787-8014-00](#) [79531-3000](#)  
[FCN-360C032-B](#) [FCN-367T-T012/H](#) [FCN-723D010/2](#) [80.063.4001.1](#) [800-90-001-10-001000](#) [800-90-010-10-002000](#) [801-43-002-10-013000](#)