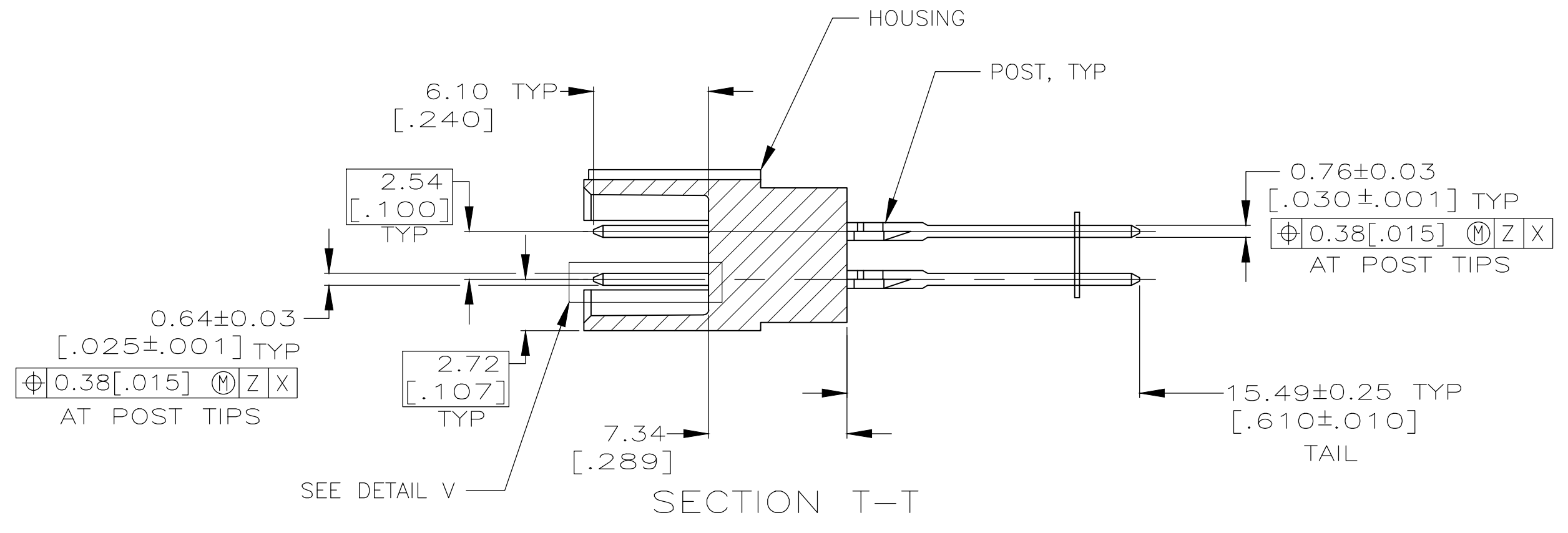
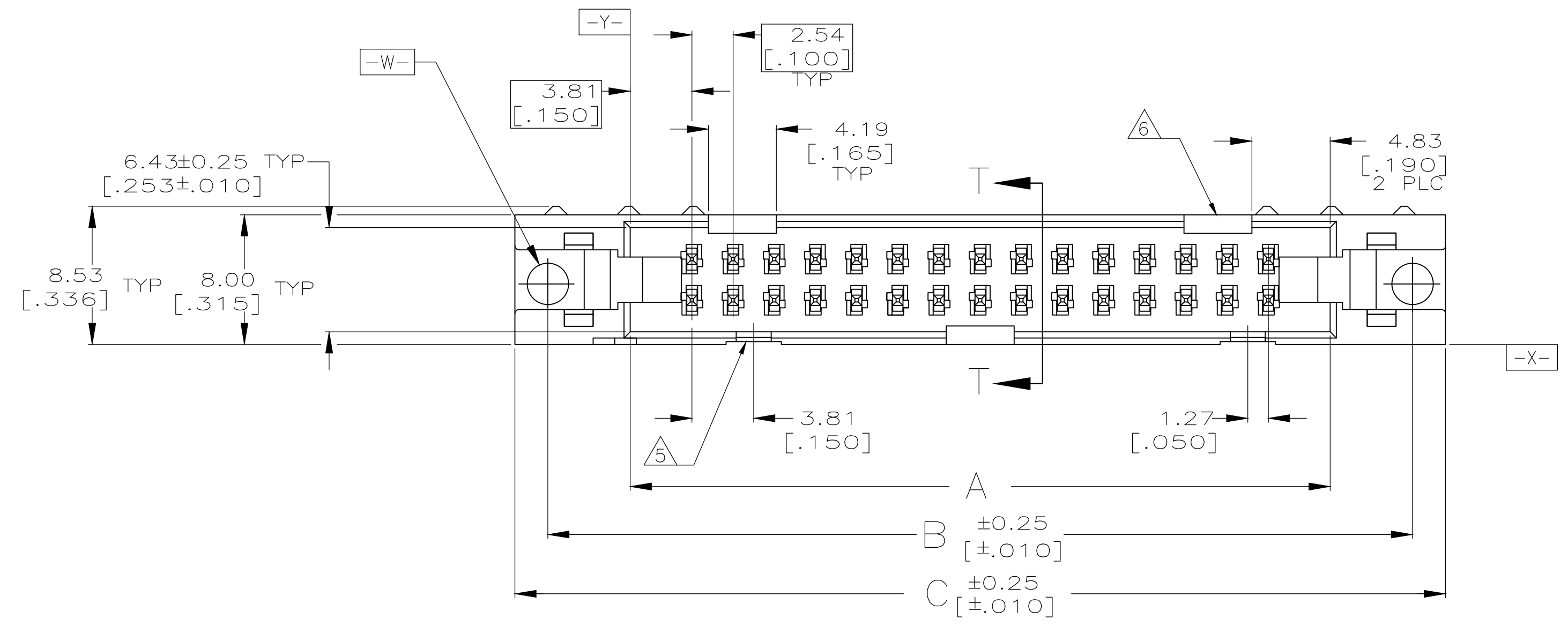
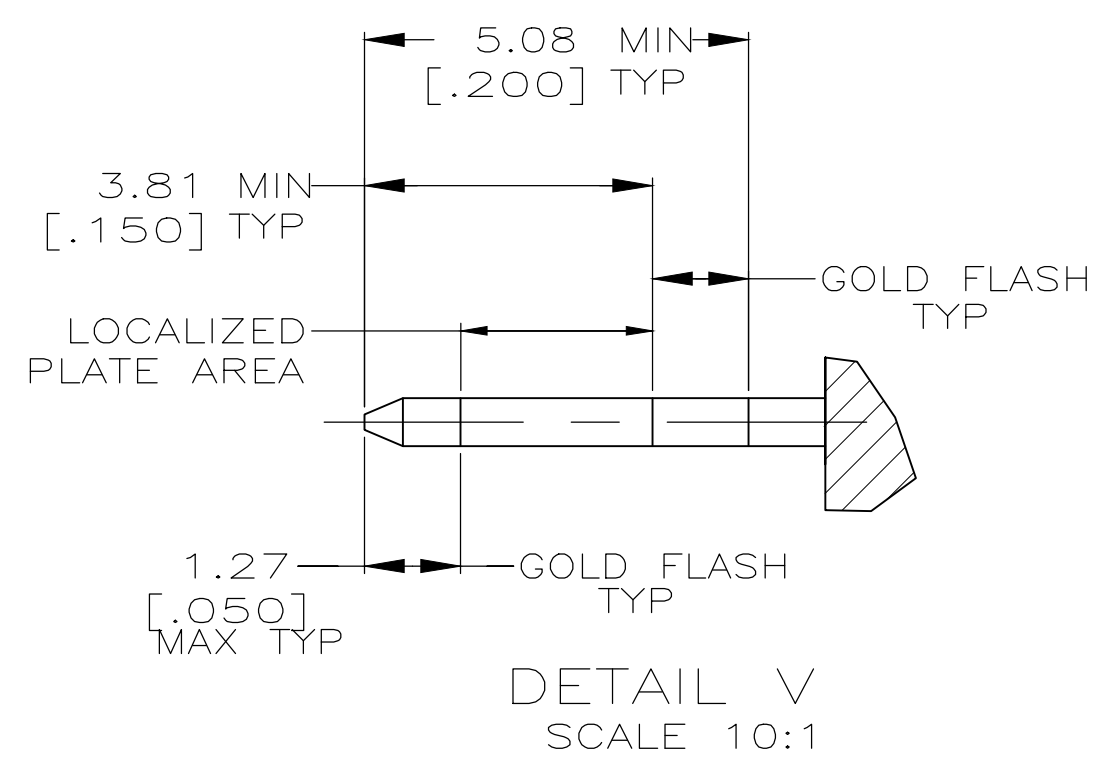
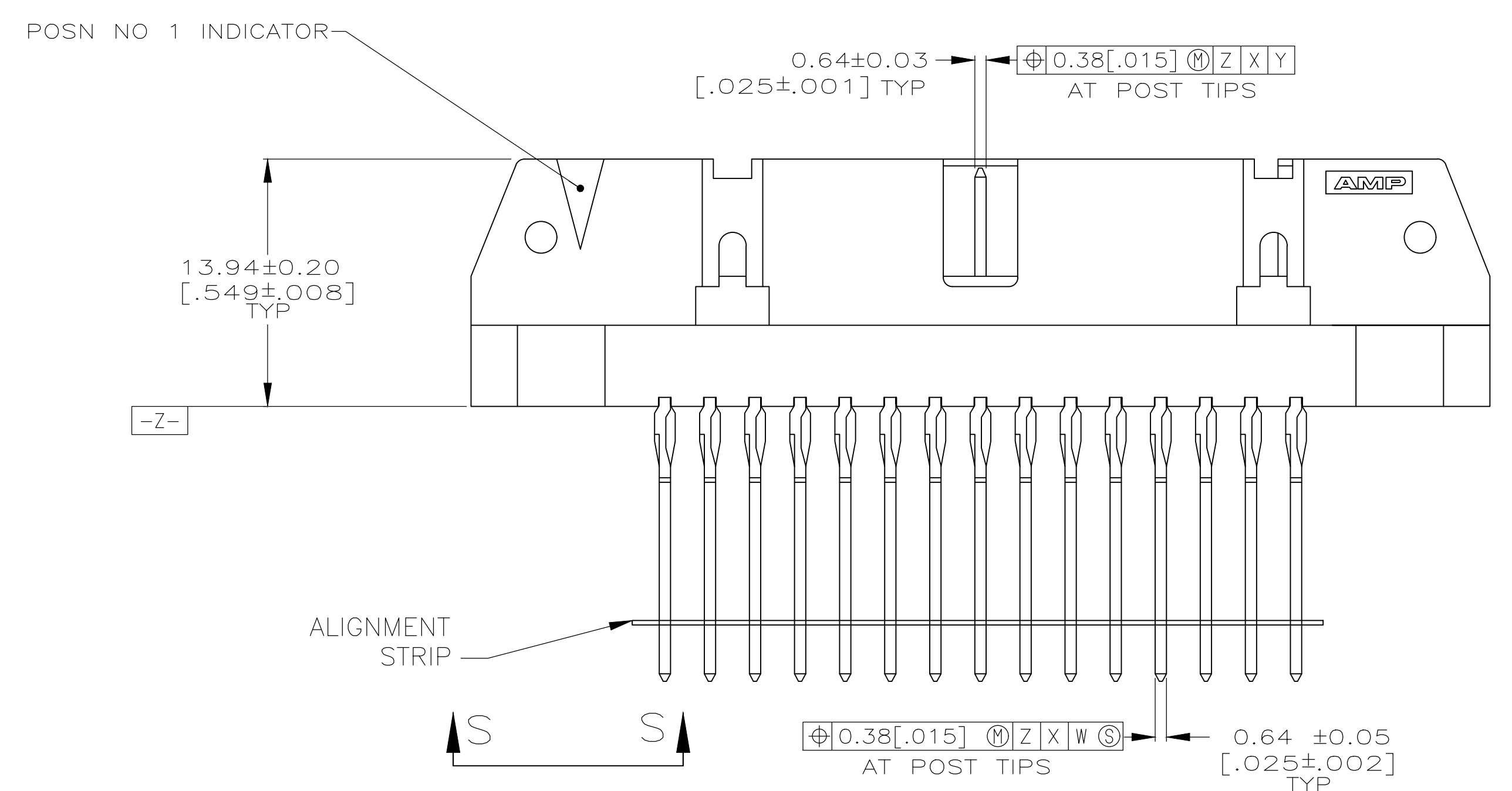


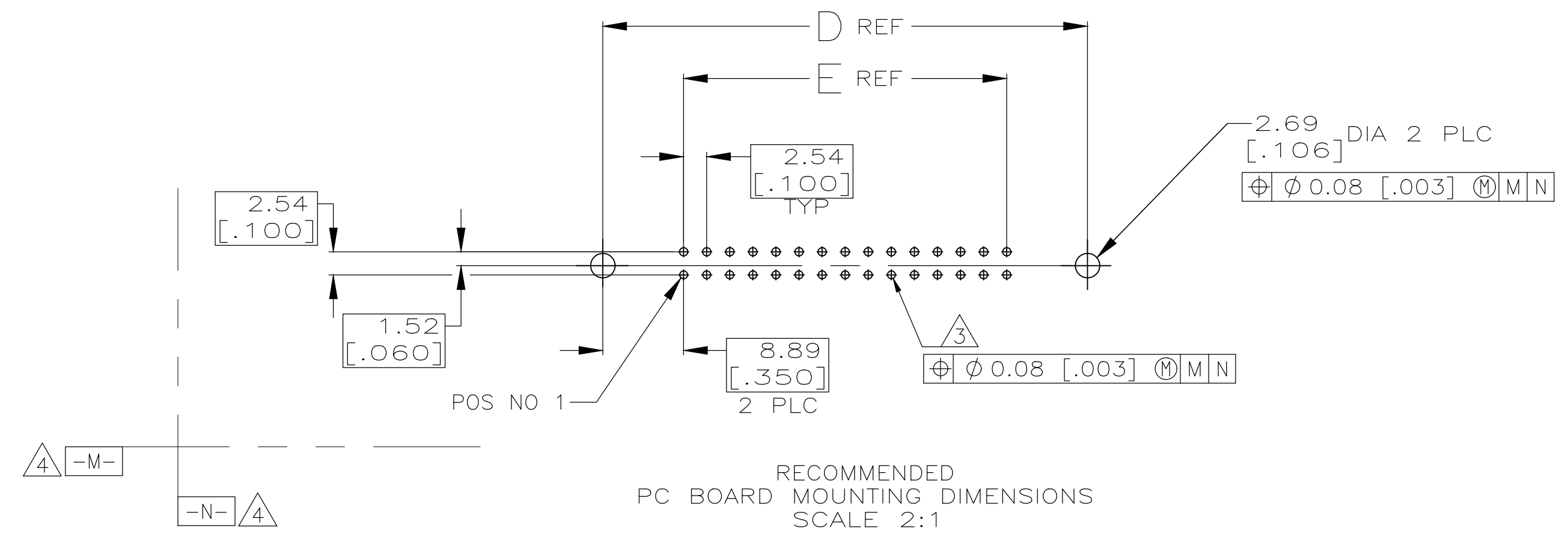
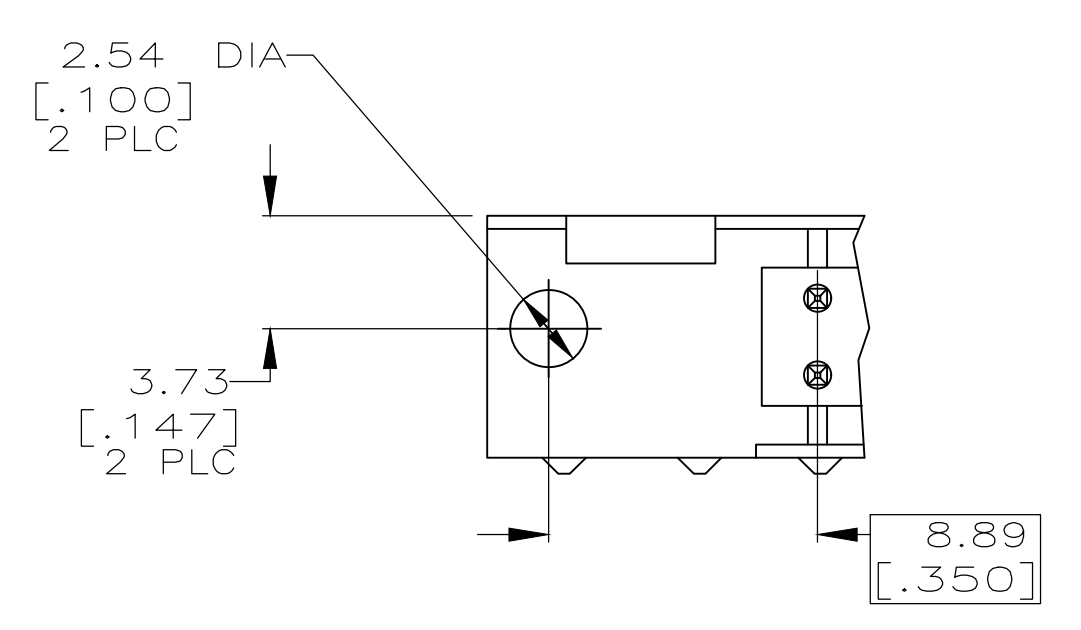
REVISIONS				
P	LTR	DESCRIPTION	DATE	APP'D
E1		REVISED PER ECR-17-014821	09APR19	J.J. W.H.



- ① HOUSING: GLASS FILLED NYLON OR POLYESTER, UL94V-0 RATED, COLOR BLACK. POSTS: PHOSPHOR BRONZE. ALIGNMENT STRIP: ARMD PAPER.
- ② POSTS: GOLD FLASH OVER PALLADIUM-NICKEL PLATE, 0.76μm[.000030] MIN TOTAL ON THE LOCALIZED PLATE AREA, 2.54μm[.000100] MIN TIN PLATE ON THE TAIL, 1.27μm[.000050] MIN NICKEL UNDERPLATE ON THE ENTIRE POST. -OR- 0.76μm[.000030] MIN GOLD PLATE ON THE LOCALIZED PLATE AREA, 2.54μm[.000100] MIN TIN PLATE ON THE TAIL, 1.27μm[.000050] MIN NICKEL UNDERPLATE ON THE ENTIRE POST. REFER TO APPLICATION SPECIFICATION 114-40020 FOR HOLE SIZE AND FINISH RECOMMENDATIONS.
- ④ DATUMS -M- & -N- TO BE ESTABLISHED BY CUSTOMER.
- ⑤ NO SLOT FOR SNAP-IN POLARIZER ON THIS END FOR 10 AND 14 POSITION HEADERS.
- ⑥ NO SLOT ON THIS END FOR 10 POSITION HEADERS.



OBSOLETE	78.74 [3.100]	96.52 [3.800]	100.58 [3.960]	96.52 [3.800]	86.36 [3.400]	64	1-1658695-0
OBSOLETE	73.66 [2.900]	91.44 [3.600]	95.50 [3.760]	91.44 [3.600]	81.28 [3.200]	60	1658695-9
	60.96 [2.400]	78.74 [3.100]	82.80 [3.260]	78.74 [3.100]	68.58 [2.700]	50	1658695-8
OBSOLETE	48.26 [1.900]	66.04 [2.600]	70.10 [2.760]	66.04 [2.600]	55.88 [2.200]	40	1658695-7
OBSOLETE	30.48 [1.200]	48.26 [1.900]	52.32 [2.060]	48.26 [1.900]	38.10 [1.500]	26	1658695-6
OBSOLETE	22.86 [.900]	40.64 [1.600]	44.70 [1.760]	40.64 [1.600]	30.48 [1.200]	20	1658695-5
OBSOLETE	17.78 [.700]	35.56 [1.400]	38.10 [1.560]	35.56 [1.400]	25.40 [1.000]	16	1658695-4
OBSOLETE	15.24 [.600]	33.02 [1.300]	37.08 [1.460]	33.02 [1.300]	22.86 [.900]	14	1658695-3
OBSOLETE	10.16 [.400]	27.94 [1.100]	32.00 [1.260]	27.94 [1.100]	17.78 [.700]	10	1658695-2
OBSOLETE	40.64 [1.600]	58.42 [2.300]	62.48 [2.460]	58.42 [2.300]	48.26 [1.900]	34	1658695-1



THIS DRAWING IS A CONTROLLED DOCUMENT.

DIMENSIONS: mm [INCHES]	TOLERANCES UNLESS OTHERWISE SPECIFIED:	DIN R. SAMICK 13JAN2004	TE Connectivity
0 PLC ± -	1 PLC ± -	CHK S. BOLASH 13JAN2004	APPROVED M. WALMSLEY 13JAN2004
2 PLC ± ± 0.13[.005]	3 PLC ± ± -	NAME: HEADER ASSY, UNIVERSAL, ACTION PIN, AMP-LATCH	
4 PLC ± ± -	ANGLES ± ± -	PRODUCT SPEC: 108-40019	
MATERIAL	FINISH	APPLICATION SPEC: 114-40020	SIZE: A1
		WEIGHT: 0.000000	CAGE CODE: 00779
		DRAWING NO: 1658695	
		CUSTOMER DRAWING	

SCALE: 4:1 SHEET: 1 OF 1 REV: E1

X-ON Electronics

Largest Supplier of Electrical and Electronic Components

Click to view similar products for [Headers & Wire Housings](#) category:

Click to view products by [TE Connectivity](#) manufacturer:

Other Similar products are found below :

[95000-104TRLF](#) [10135584-644402LF](#) [DF62W-EP2022PCA](#) [95000-106TRLF](#) [DF62W-2022SCA](#) [DF62W-EP2022PC](#) [2203348](#) [DF62W-2022SC](#) [1084018](#) [1029039](#) [1084017](#) [802-10-012-10-002000](#) [1112640](#) [1112639](#) [000-34000](#) [0009482033](#) [0009507031](#) [57102-S06-03LF](#) [57202-S52-04LF](#) [PCN6-15S-2.5E](#) [0039019024](#) [58102-G61-06LF](#) [582553-1](#) [0009508121](#) [0050291907](#) [018731A](#) [LY20-4P-DT1-P1E-BR](#) [02.125.8002.8](#) [60101931](#) [60598-1 \(Cut Strip\)](#) [M1625-3R/100](#) [61062-3](#) [61082-181009](#) [636-1427](#) [638009-1](#) [641938-9](#) [641991-4](#) [644168-1](#) [647662-1](#) [65039-019ELF](#) [65817-002LF](#) [65817-015LF](#) [65863-015LF](#) [66207-023LF](#) [67016-026LF](#) [67046-001LF](#) [67095-007LF](#) [68002-116](#) [68016-236H](#) [68648-049](#)