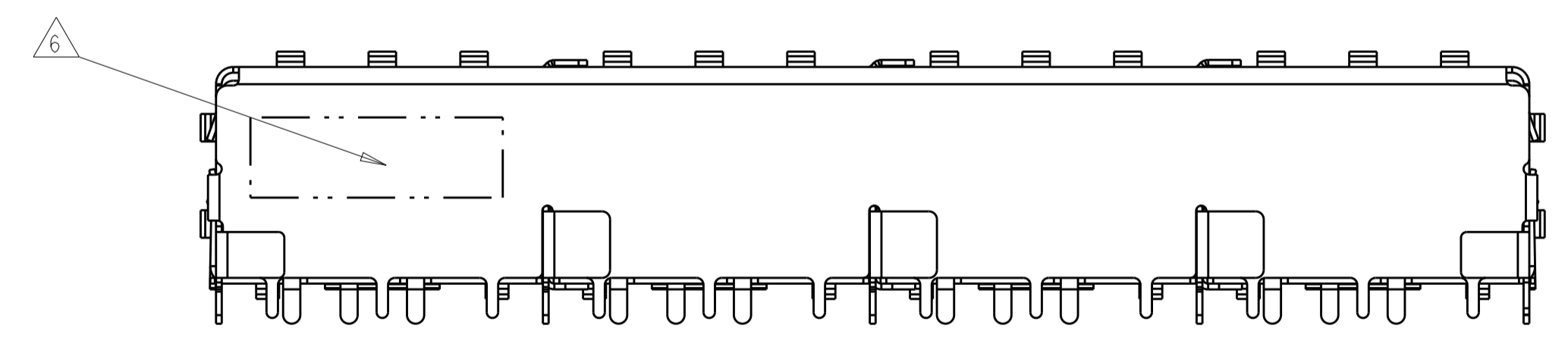
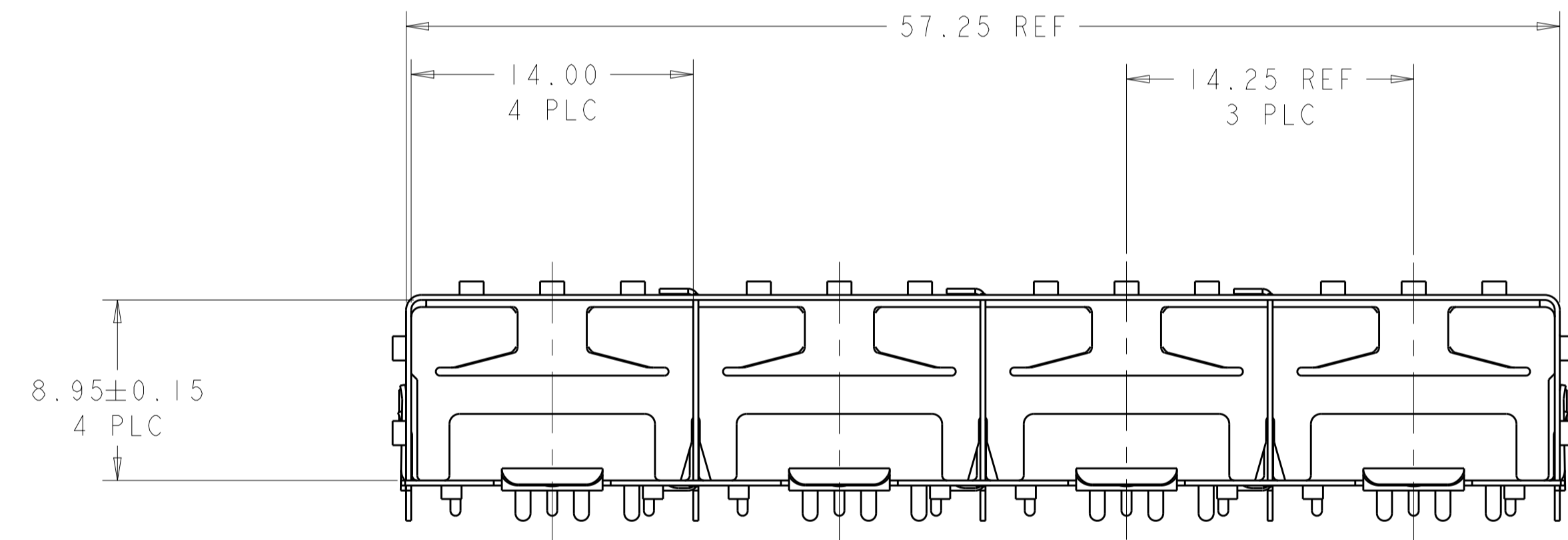
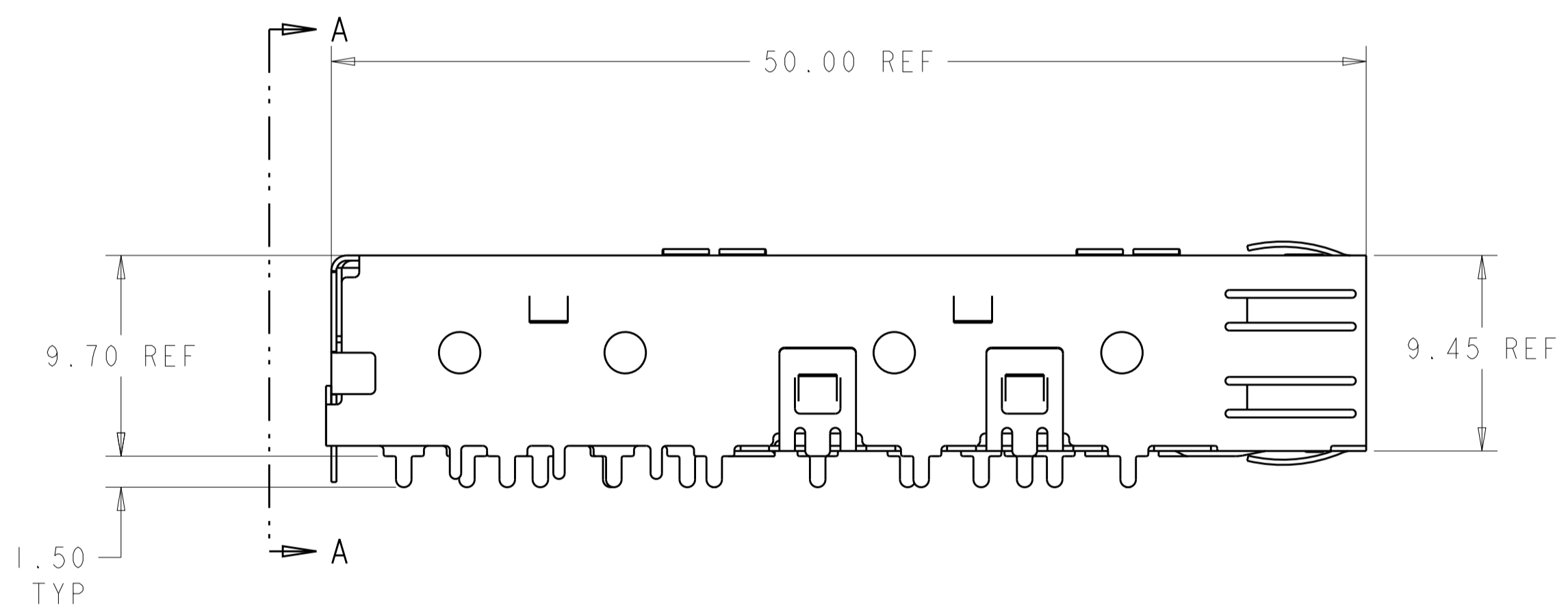
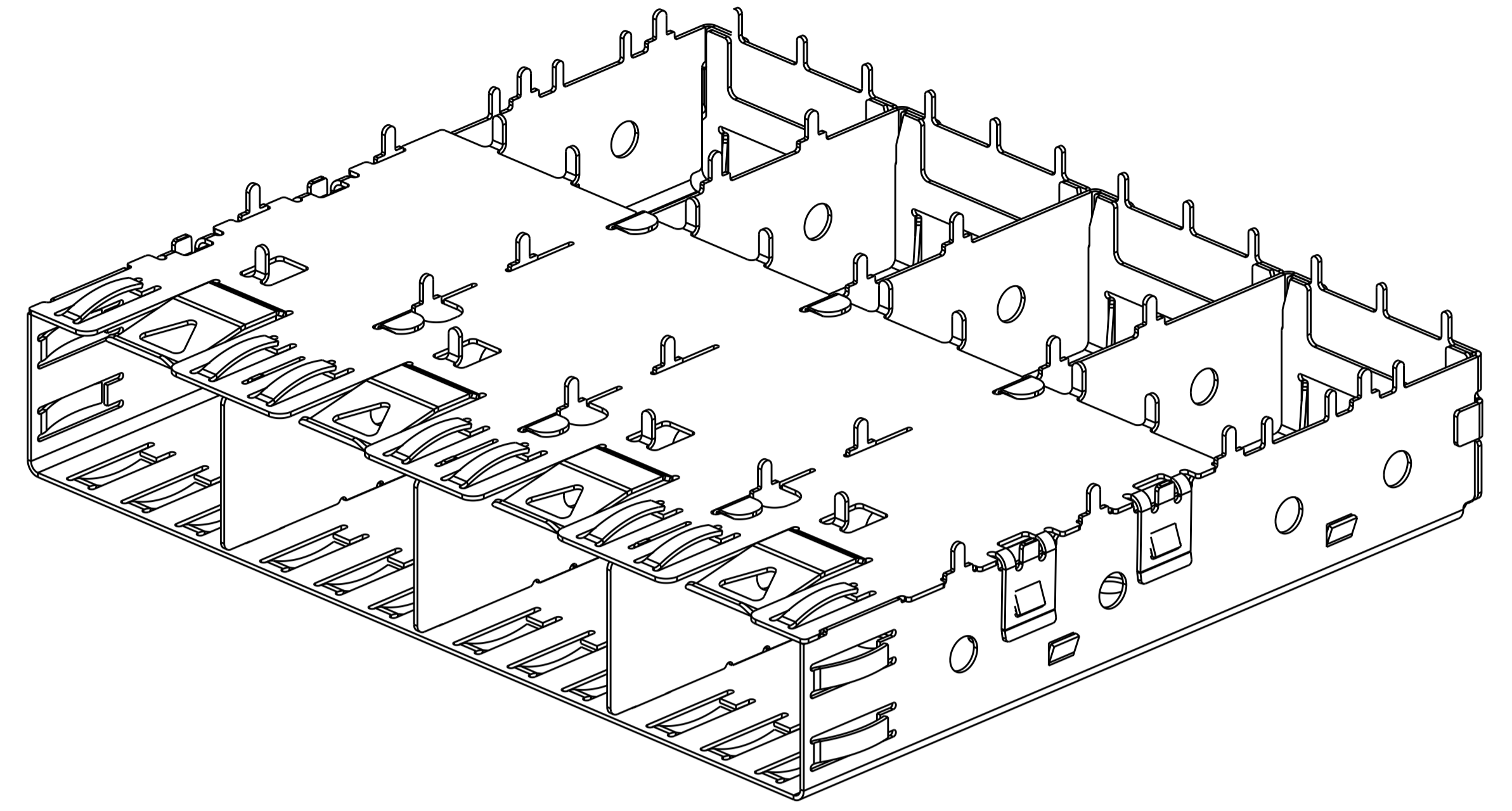
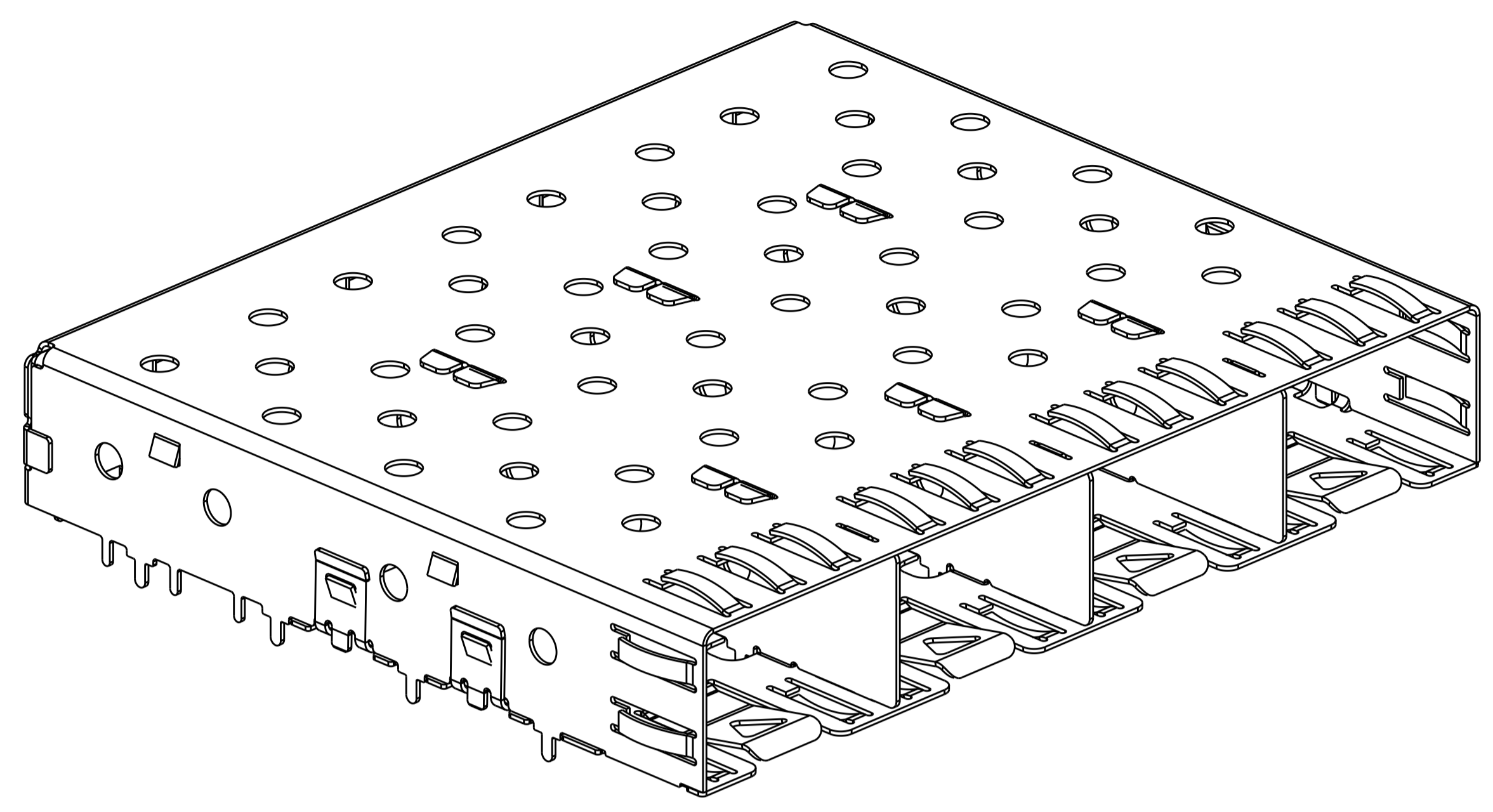
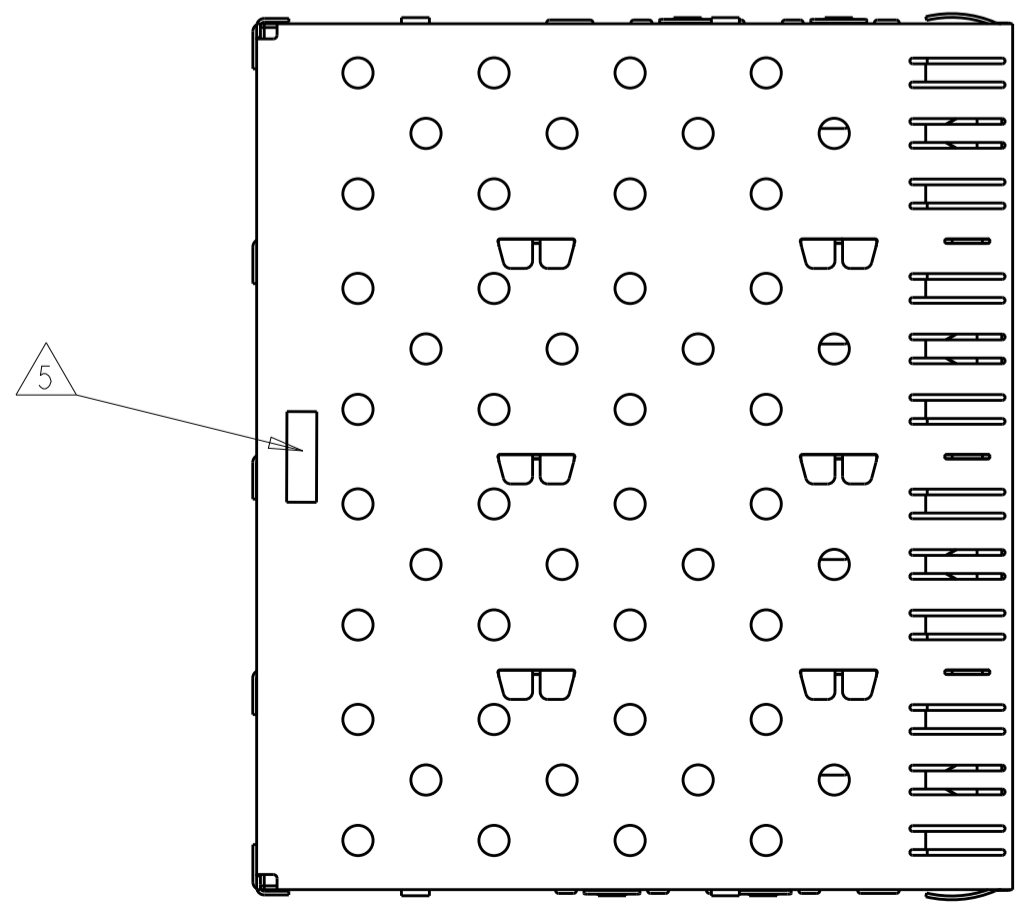


LOC	DIST	REVISIONS			
P	LTN	DESCRIPTION	DATE	DMN	APVD
GP	00				
E2		REVISED PER ECO-14-010419	11JUL2014	JW	SH
F		OBSOLETE PN 1658723-1; ADD PN 1658723-3	05DEC2019	IT	SH
G		ADD PN -4 WITH CUSTOMIZED TRAY	15APR2020	IT	SH
G1		REMOVE NOT TOOLED PN 1658723-3	07MAY2020	IT	SH



SECTION A-A

- ① MATERIAL: 0.25MM THICK COPPER ALLOY.
- ② FINISH: 1.25µm MINIMUM TIN PER ASTM B 545 OVER NICKEL FLASH PER QQ-N-290. NONPLATED EDGES PERMISSIBLE.
- ③ PADS AND VIAS CHASSIS GROUND.
- ④ DATUM AND BASIC DIMENSION ESTABLISHED BY CUSTOMER.
- ⑤ COMPANY LOGO IN APPROXIMATE AREA SHOWN.
- ⑥ DATE CODE AND PART NUMBER IN APPROXIMATE AREA SHOWN.
- ⑦ MATERIAL: 0.25MM THICK NICKEL SILVER ALLOY,
- ⑧ PACKED WITH CUSTOMIZED TRAY SIZE 340mm X 235mm AND 3X5=15PCS PER TRAY.



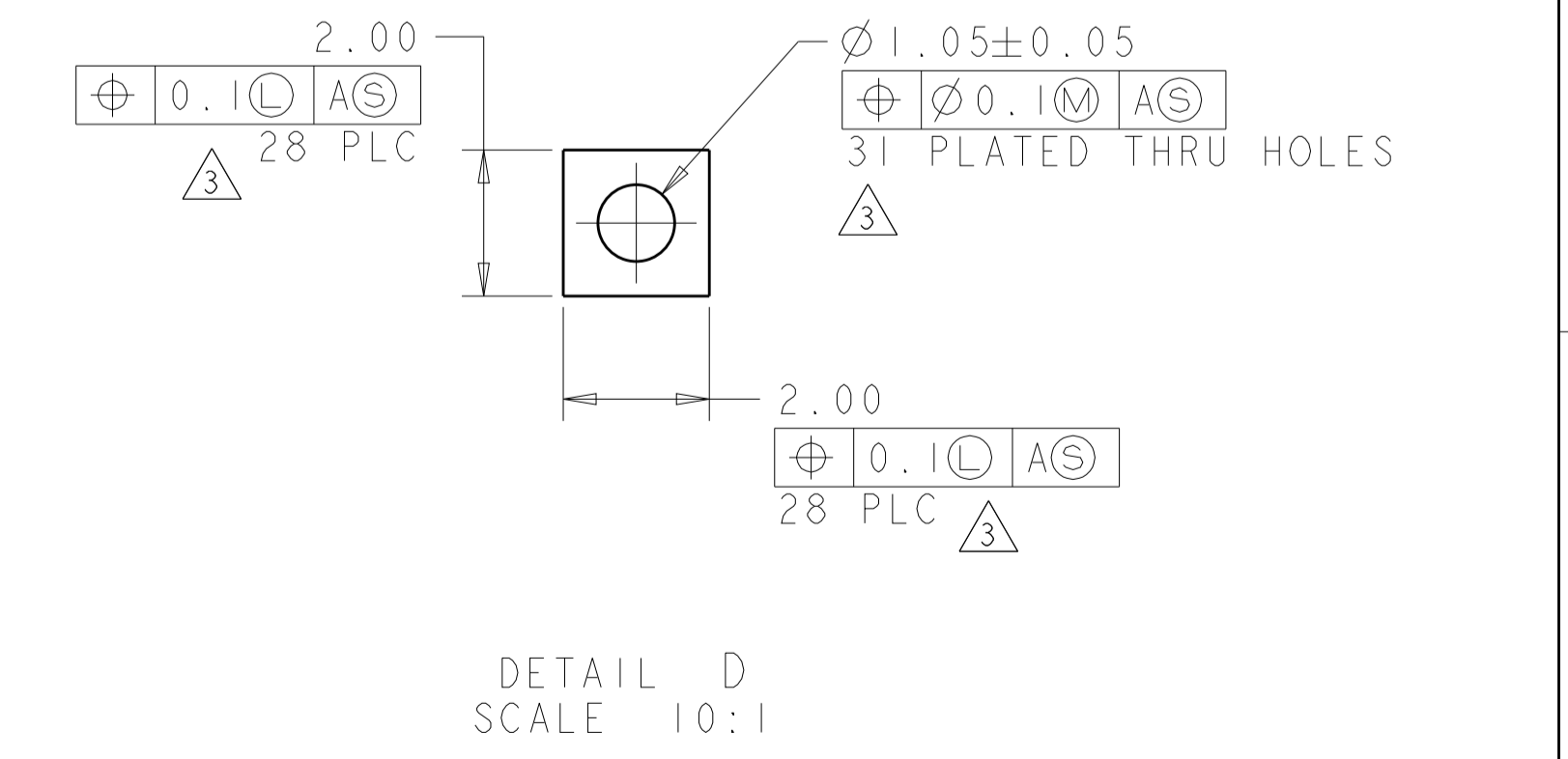
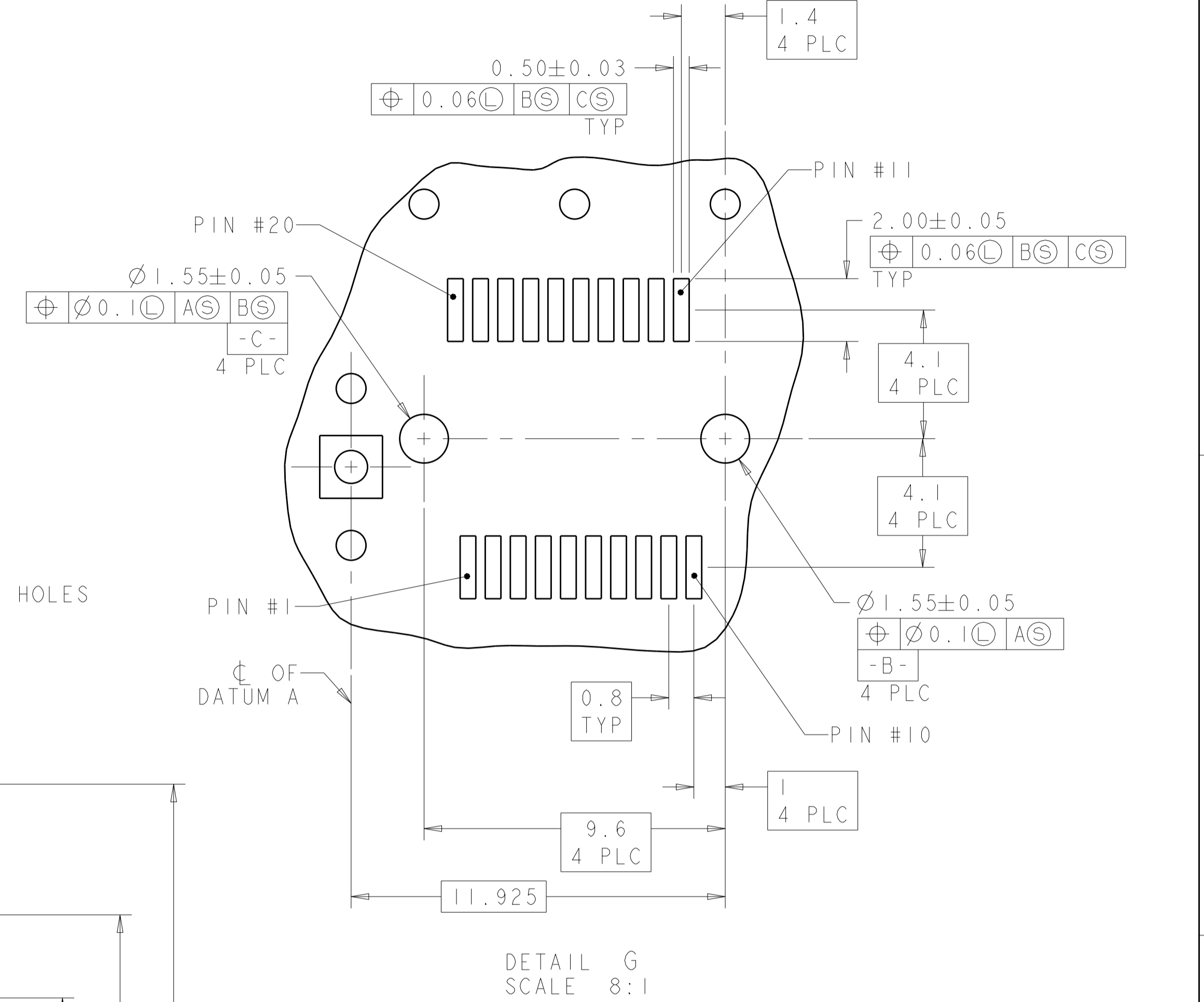
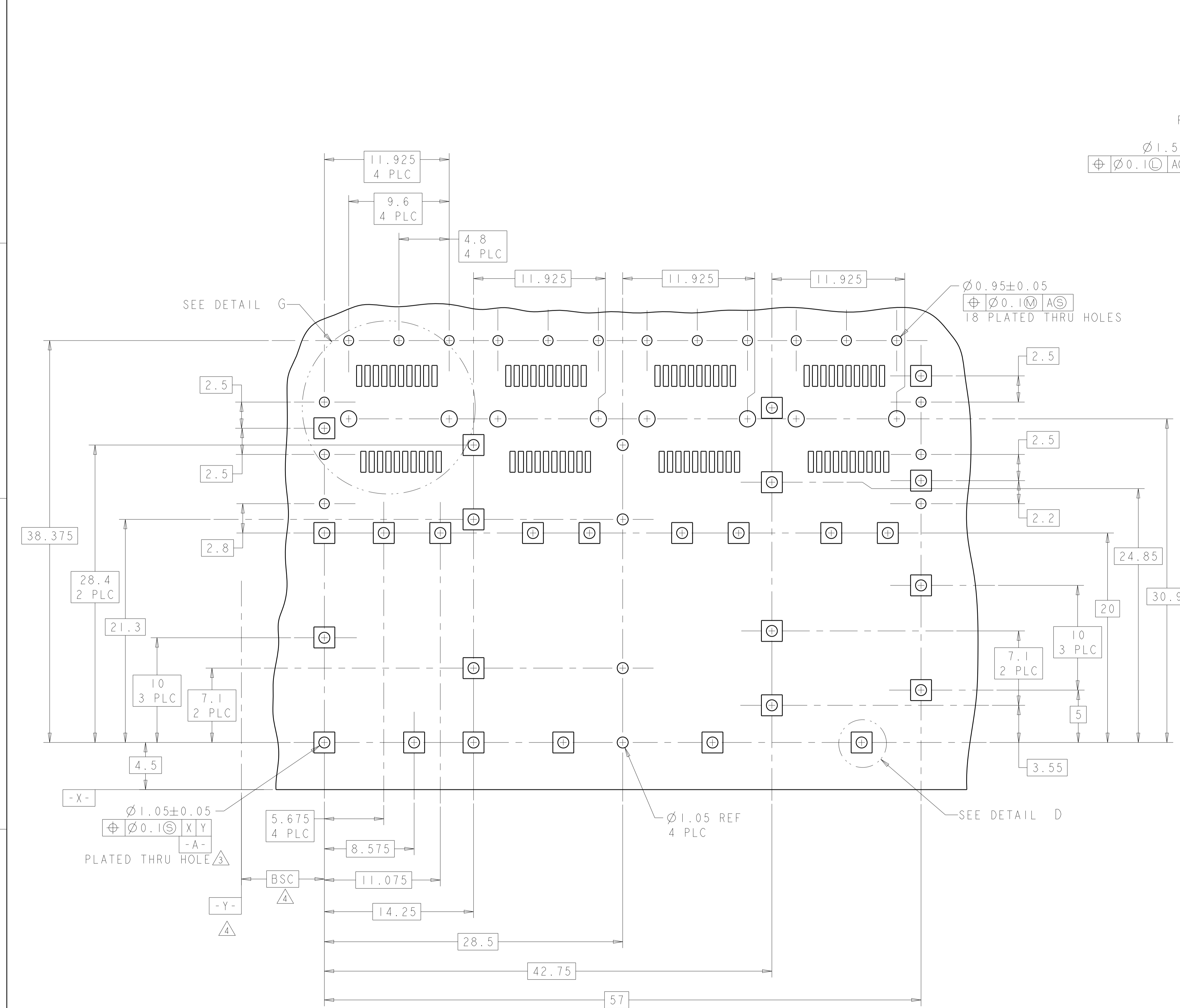
SCALE 2:1

OBSELETE	NO	①	1658723-4
	NO	①	1658723-2
	②	①	1658723-1
FINISH	MATERIAL	PART NUMBER	

THIS DRAWING IS A CONTROLLED DOCUMENT.		DMN	13MAY03
DIMENSIONS:		CHK	06MAY04
TOLERANCES UNLESS OTHERWISE SPECIFIED:		APVD	J. KOPPENHEFFER
mm	0 PLC ±	NAME	
	1 PLC ±0.10	M. WALMSLEY 06MAY04	
	3 PLC ±	PRODUCT SPEC	
	4 PLC ±	108-1950	
	ANGLES ±	APPLICATION SPEC	
		114-13017	
MATERIAL	FINISH	WEIGHT	SIZE
①	②		CAGE CODE DRAWING NO
			A100779C=1658723
		CUSTOMER DRAWING	RESTRICTED TO
		SCALE 4:1	SHEET 1 OF 2
			REV G1

LOC	DIST	REV	DATE	BY	APPV
GP	00				

REVISIONS		DATE	BY	APPV
1	SEE SHEET 1			



RECOMMENDED PCB LAYOUT
SCALE 5:1

THIS DRAWING IS A CONTROLLED DOCUMENT.		OWN: M. SHIRK 13MAY03	TE Connectivity
DIMENSIONS: mm		CHK: J. KOPPENHEFFER 06MAY04	
TOLERANCES UNLESS OTHERWISE SPECIFIED:		APPV: M. WALMSLEY 06MAY04	NAME: CAGE ASSEMBLY, SOLDER LEG, 1X4, SFP
0 PLC ±	1 PLC ±0.10	PRODUCT SPEC: 108-1950	SIZE: A100779C=1658723
2 PLC ±	3 PLC ±	APPLICATION SPEC: 114-13017	RESTRICTED TO: G1
4 PLC ±	ANGLES ±	WEIGHT: -	SCALE: 4:1 SHEET 2 OF 2
MATERIAL: -	FINISH: -	CUSTOMER DRAWING	REV: -

X-ON Electronics

Largest Supplier of Electrical and Electronic Components

Click to view similar products for [I/O Connectors](#) category:

Click to view products by [TE Connectivity](#) manufacturer:

Other Similar products are found below :

[571763P](#) [58098-0628](#) [72.250.1628.2](#) [72.250.2428.2](#) [74720-0505](#) [76.350.0729.0](#) [76871-1403](#) [FCN-244F080-G/1](#) [FCN-260A9920](#) [MP-5T180MUNNA-005](#) [PCR-E36PM](#) [PCS-XE26MA+](#) [G38A71314B](#) [DX40-50P\(55\)](#) [1571250010](#) [157-22500-3](#) [MS3471L14-19P L/C](#) [91-569786-35H](#) [172501-4002](#) [172501-6002](#) [FCN-260C008-A/L0](#) [FCN-260C024-AL0](#) [FCN-261Z008](#) [2000314-1](#) [200331-1](#) [PCR-E36FC+](#) [PCS-E28FS+](#) [PCS-XE26SLFD+](#) [PCS-XE26SLFDT+](#) [G730VID08BDC24](#) [U90B2054081210](#) [UE86K842720321](#) [38113800006](#)
[DP3AR020WQ1R200](#) [Z4.102.0680.0](#) [500-1040](#) [500-1052](#) [500-1054](#) [ZP-4008-66L](#) [0709821002](#) [10-565995-597N](#) [DX40-20P\(55\)](#) [5554841-1](#)
[MS3474W18-8P-LC*](#) [U90B3054061110](#) [U65-E04-4020](#) [ZPF000000000097891](#) [557-262M2-06C](#) [747360449](#) [10099439-003C-TRLF](#)