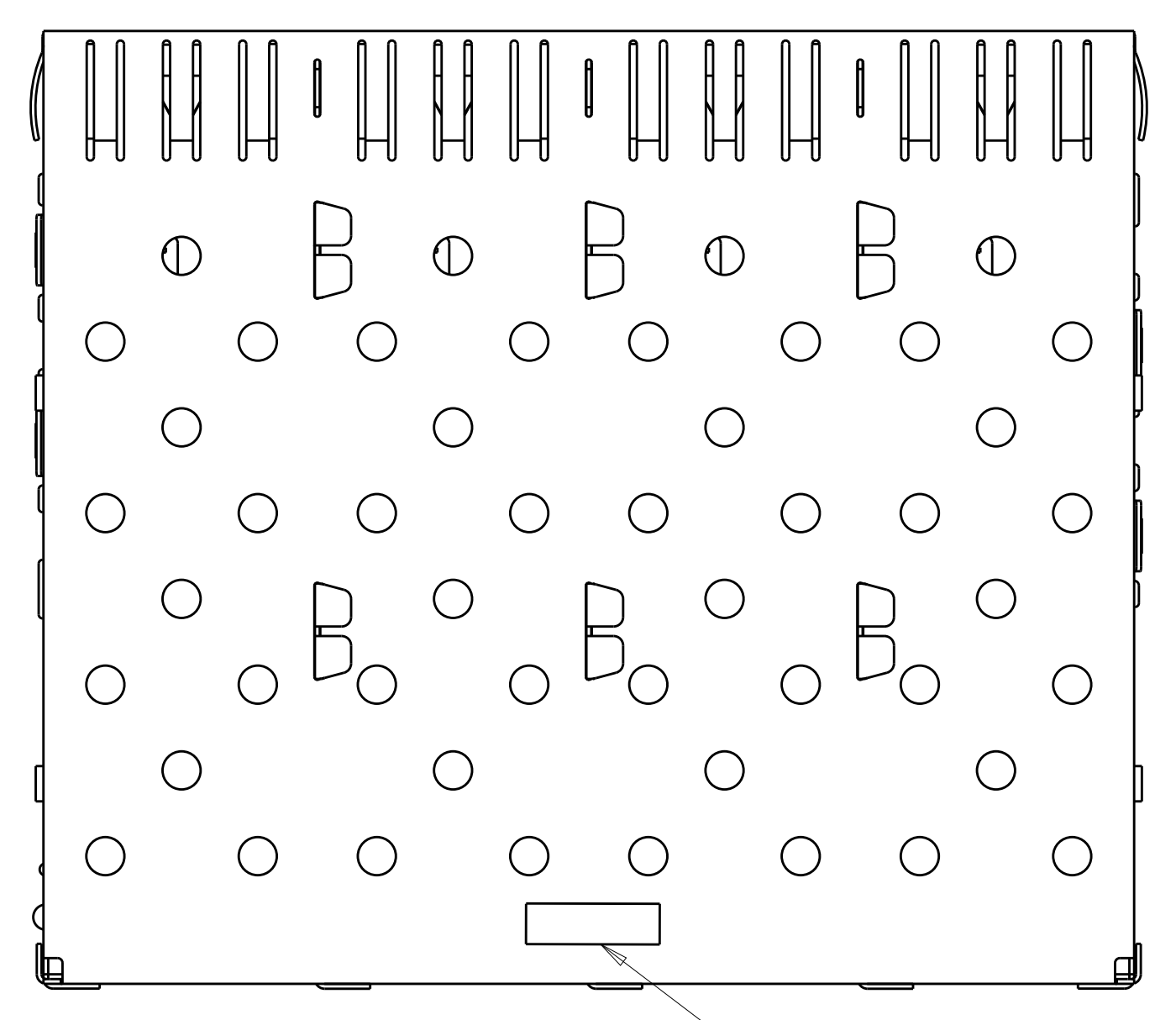
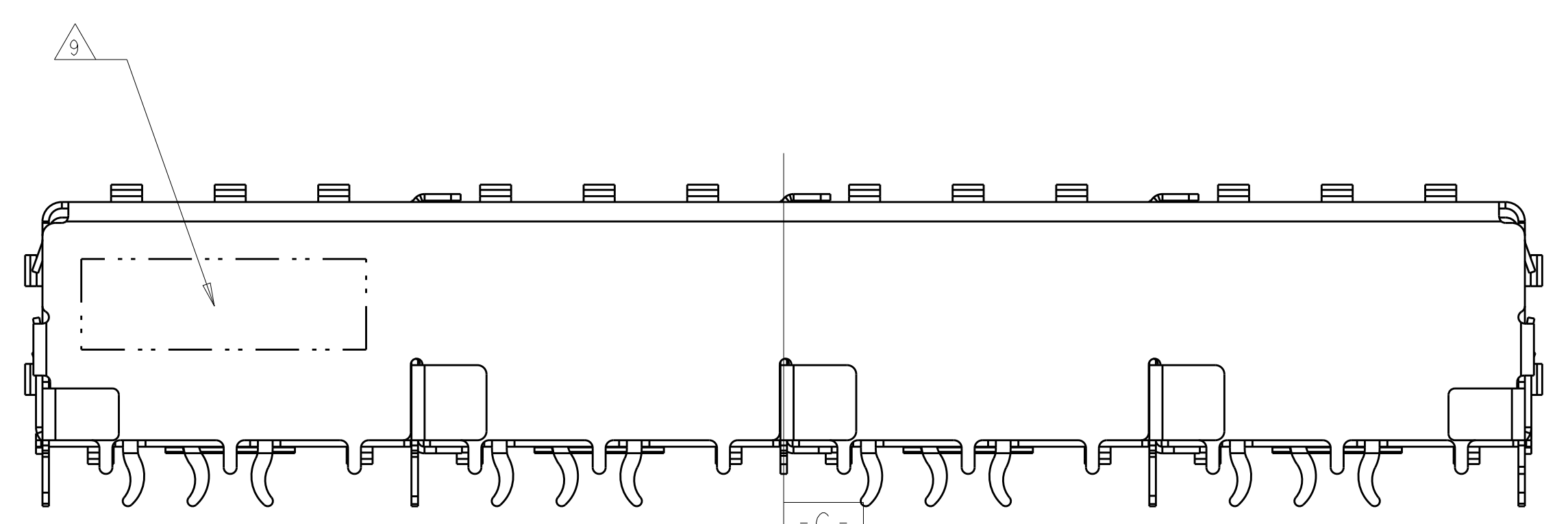
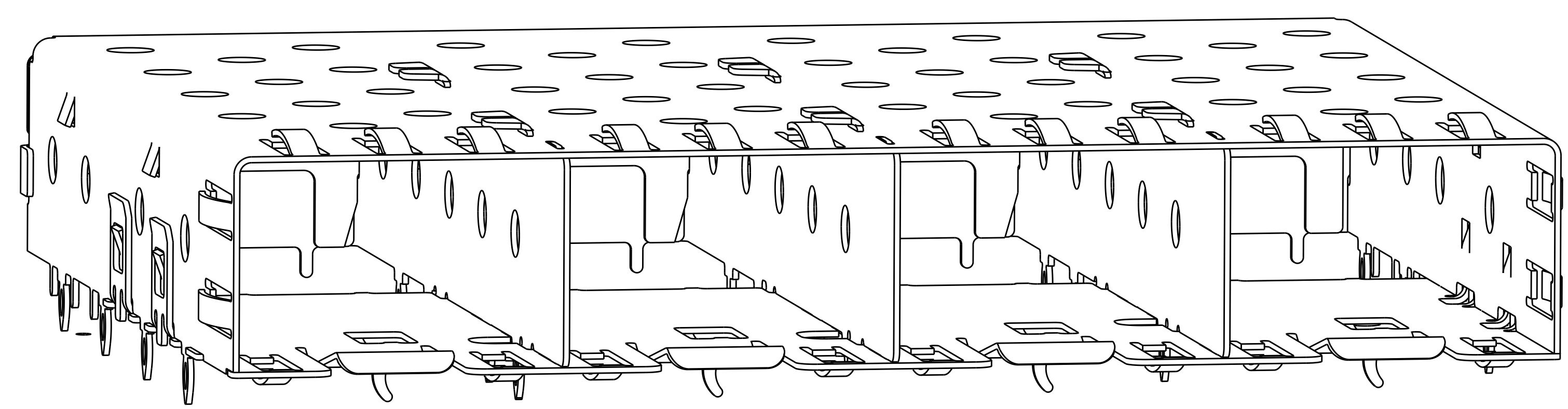
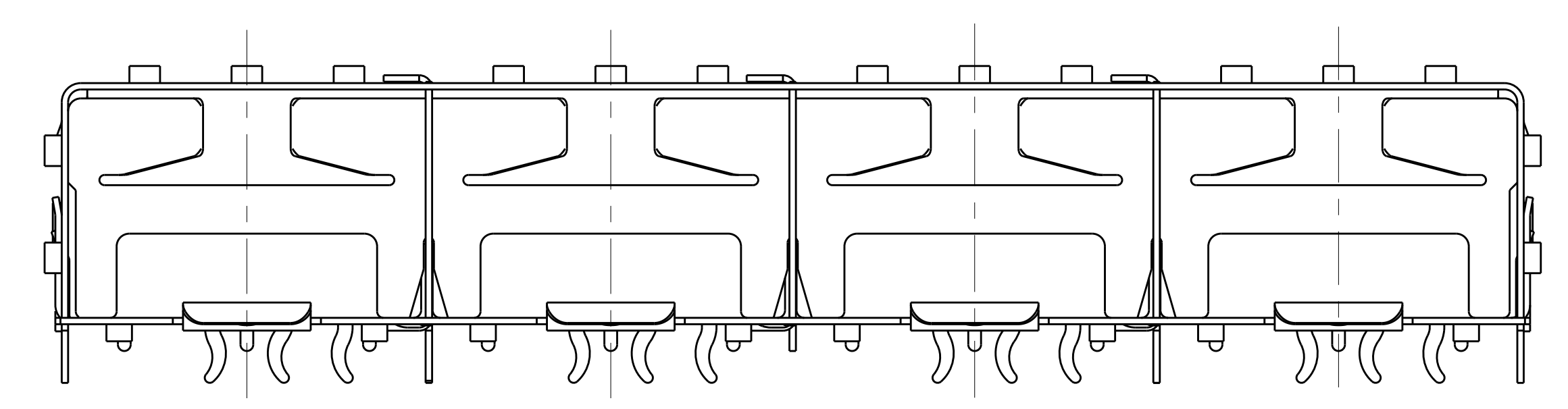
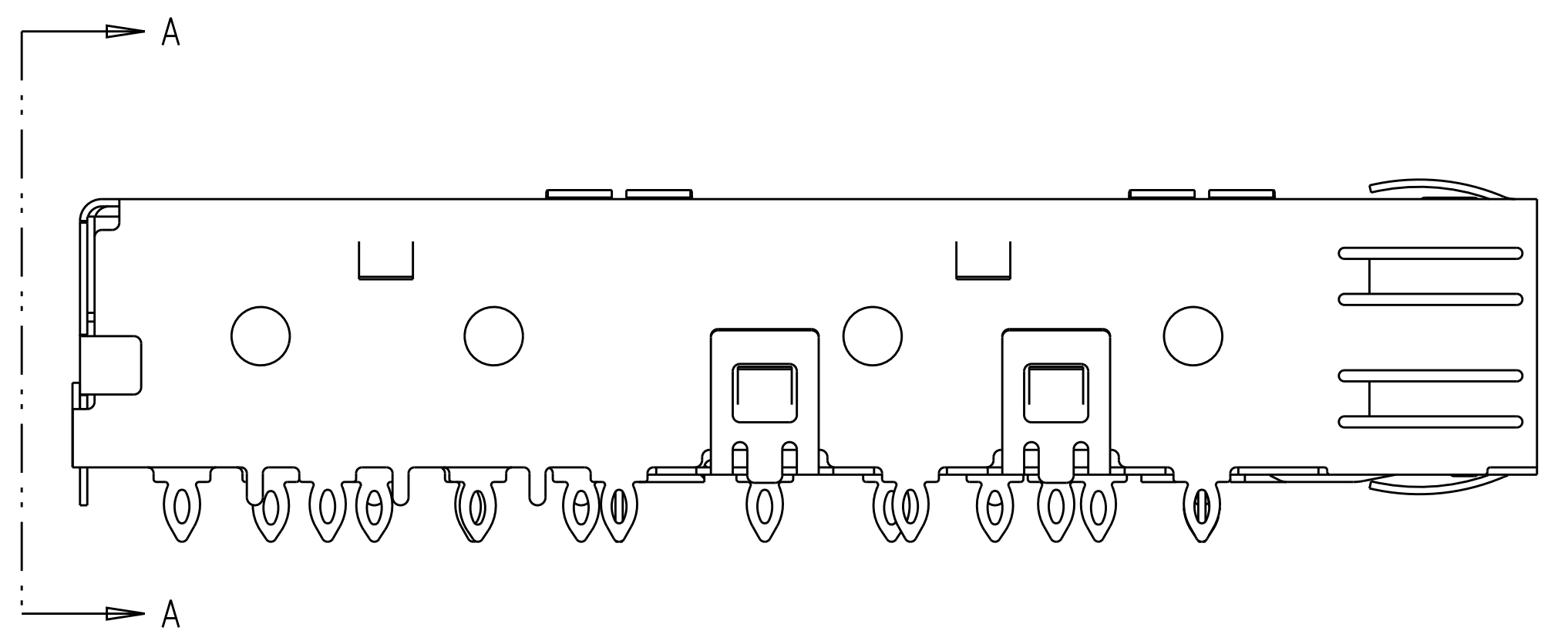


LOC	DIST	REVISIONS			
P	LTN	DESCRIPTION	DATE	DWN	APVD
H		REVISED PER ECO-12-011010	13JUN2012	JY	CW
J		REVISED PER ECO-14-000886	20FEB2014	JW	SH
J1		REVISED PER ECO-14-010419	11JUL2014	JW	SH
K		REVISED PER ECO-15-013594	22SEP2015	JW	SH



SCALE 3:1 △7

- △1 MATERIAL: 0.25 THICK COPPER ALLOY.
- △2 FINISH: TIN PLATING PER ASTM B 545, 1.25um MINIMUM THICKNESS ALL OVER NICKEL FLASH PER QQ-N-290. NONPLATED EDGES PERMISSIBLE.
- △3 PADS AND VIAS CHASSIS GROUND.
- △4 DATUM AND BASIC DIMENSION ESTABLISHED BY CUSTOMER.
- △5 REFERENCE APPLICATION SPEC 114-13120, HOLE A, FOR RECOMMENDED DRILL HOLE DIAMETER AND PLATING THICKNESSES.
- △6 REFERENCE APPLICATION SPEC 114-13120, HOLE B, FOR RECOMMENDED DRILL HOLE DIAMETER AND PLATING THICKNESSES.
- △7 COMPANY LOGO IN APPROXIMATE AREA SHOWN
- △8 PATTERN REPEATS FOR EACH PORT. SPACING BETWEEN PORTS IS 14.25 mm.
- △9 DATE CODE AND PART NUMBER IN APPROXIMATE AREA SHOWN.
- △10 MATERIAL: 0.25 THICK NICKEL SILVER ALLOY(NO PLATING).



SECTION A-A

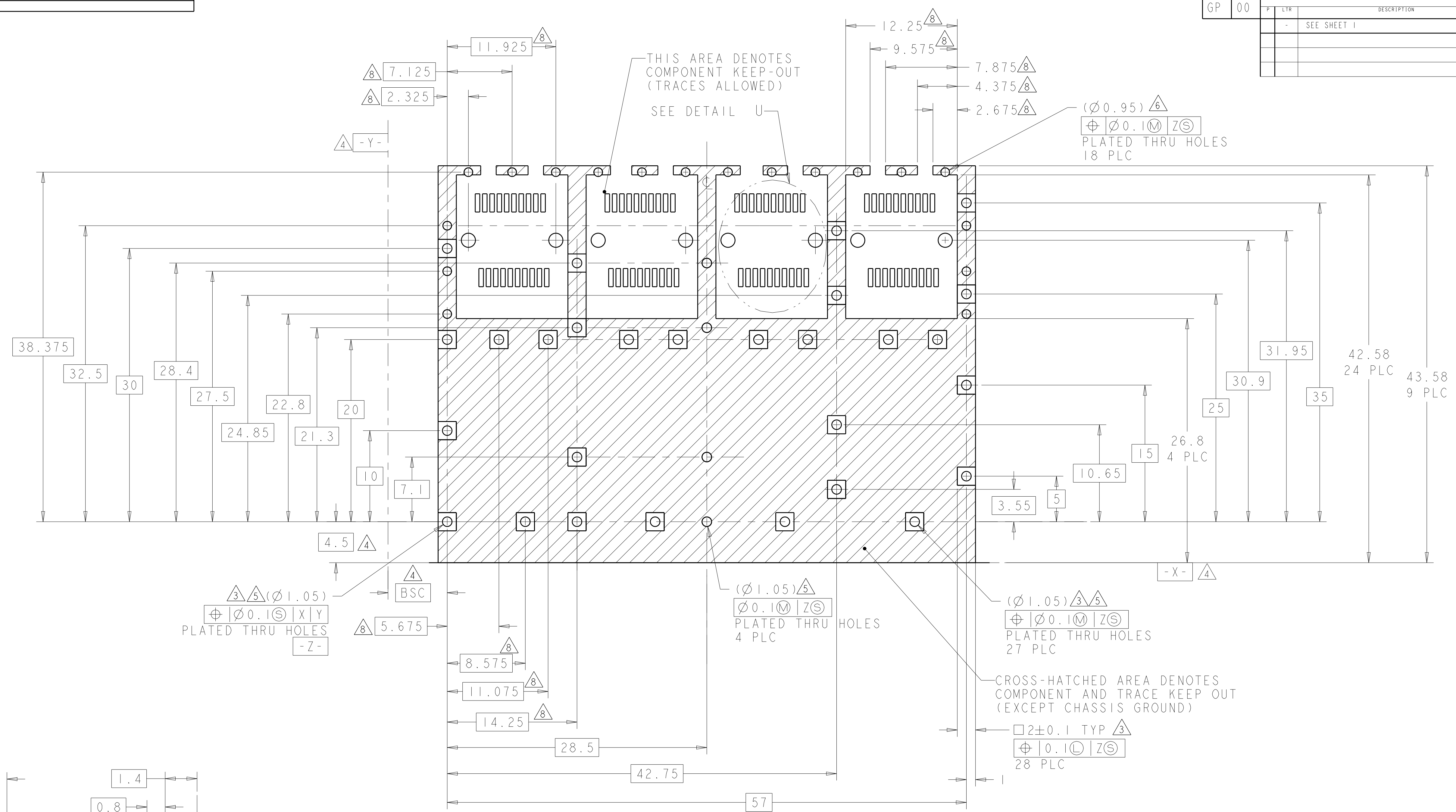
1658744-1&-3  
 1X4 CAGE ASSEMBLY  
 SCALE 6:1

**SUPERSEDED BY:**  
 1658744-3

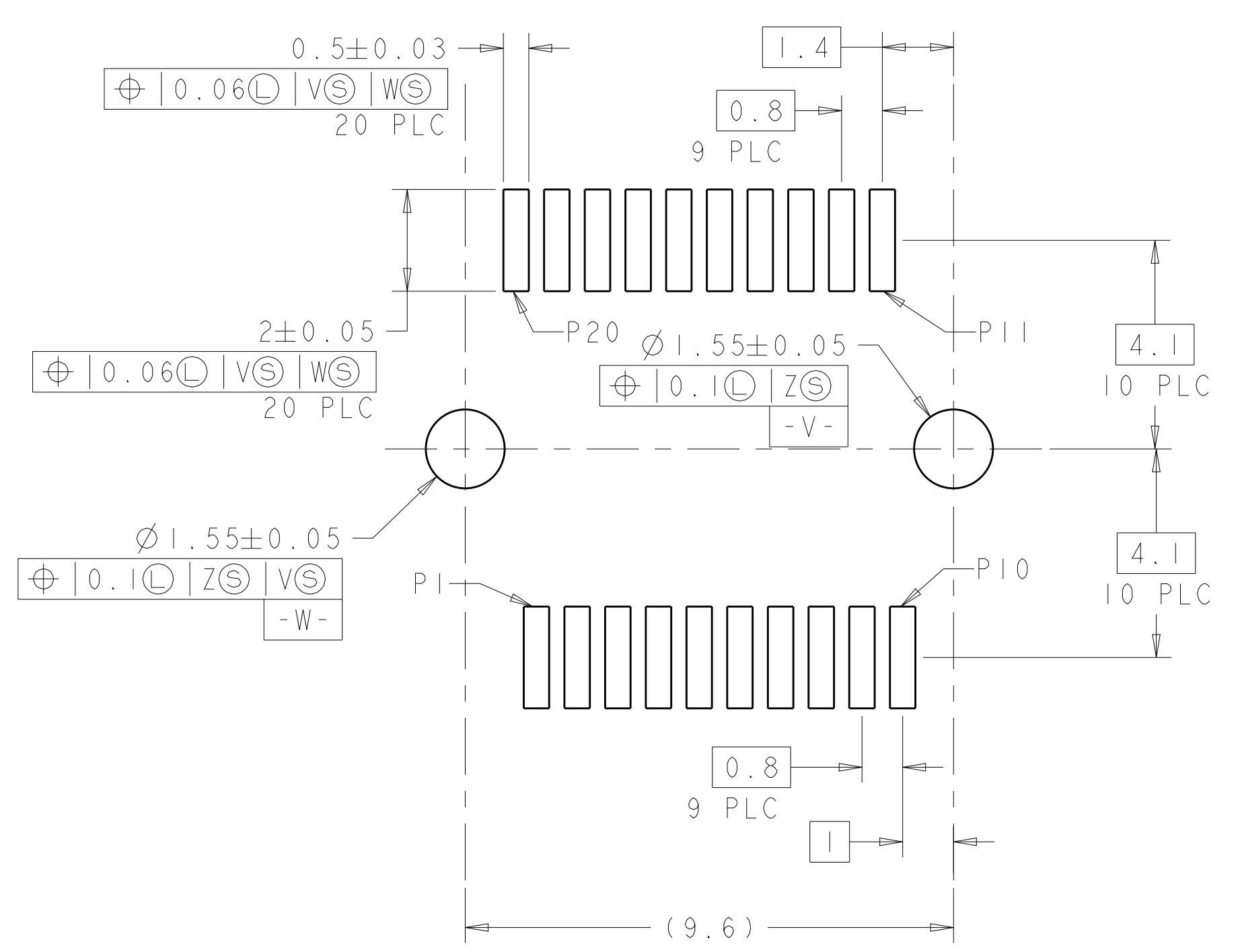
NO	△10	1X4	1658744-3
△2	△1	1X4	1658744-1
FINISH	MATERIAL	POSITION	PART NUMBER

THIS DRAWING IS A CONTROLLED DOCUMENT.		DWN: M. SHIRK 04JUN03	TE Connectivity CAGE ASSEMBLY, 1X4 PRESS FIT, SFP
DIMENSIONS: mm		CHK: J. KOPPENHEFFER 06MAY04	
TOLERANCES UNLESS OTHERWISE SPECIFIED:		APVD: M. WALMSLEY 06MAY04	
0 PLC ± 1 PLC ±0.1 2 PLC ± 3 PLC ± 4 PLC ± ANGLES ±7°		NAME: M. WALMSLEY	
MATERIAL: △1	FINISH: △2	PRODUCT SPEC: 108-1950	SIZE: A1
		APPLICATION SPEC: 114-13120	CAGE CODE: 00779
		WEIGHT: -	DRAWING NO: C=1658744
		Customer Drawing	RESTRICTED TO: -
			SCALE: 5:1 SHEET 1 OF 2 REV K

LOC	DIST	REVISIONS					
GP	00	P	LTN	DESCRIPTION	DATE	OWN	APVD
		-		SEE SHEET 1			



1658744-1  
 RECOMMENDED PCB  
 CONFIGURATION  
 SCALE 4:1



DETAIL U  
 RECOMMENDED PT CONNECTOR LAYOUT  
 4X INDIVIDUALLY  
 SCALE 10:1

THIS DRAWING IS A CONTROLLED DOCUMENT.		OWN: M. SHIRK 04JUN03	TE Connectivity												
DIMENSIONS: mm		CHK: J. KOPPENHEFFER 06MAY04													
TOLERANCES UNLESS OTHERWISE SPECIFIED:		APVD: M. WALMSLEY 06MAY04	NAME: CAGE ASSEMBLY, 1X4 PRESS FIT, SFP												
<table border="1"> <tr><td>0 PLC</td><td>±</td></tr> <tr><td>1 PLC</td><td>±0.1</td></tr> <tr><td>2 PLC</td><td>±</td></tr> <tr><td>3 PLC</td><td>±</td></tr> <tr><td>4 PLC</td><td>±</td></tr> <tr><td>ANGLES</td><td>±2°</td></tr> </table>		0 PLC	±	1 PLC	±0.1	2 PLC	±	3 PLC	±	4 PLC	±	ANGLES	±2°	PRODUCT SPEC: 108-1950	SIZE: A1
0 PLC	±														
1 PLC	±0.1														
2 PLC	±														
3 PLC	±														
4 PLC	±														
ANGLES	±2°														
MATERIAL: -		APPLICATION SPEC: 114-13120	CAGE CODE: 1658744												
FINISH: -		WEIGHT: -	RESTRICTED TO: -												
Customer Drawing		SCALE: 1:1	SHEET: 2 OF 2												

## X-ON Electronics

Largest Supplier of Electrical and Electronic Components

*Click to view similar products for [I/O Connectors](#) category:*

*Click to view products by [TE Connectivity](#) manufacturer:*

Other Similar products are found below :

[571763P](#) [58098-0628](#) [72.250.1628.2](#) [72.250.2428.2](#) [74720-0505](#) [76.350.0729.0](#) [76871-1403](#) [FCN-244F080-G/1](#) [FCN-260A9920](#) [PCR-E36PM](#) [PCS-XE26MA+](#) [G38A71314B](#) [1571250010](#) [157-22500-3](#) [MS3471L14-19P L/C](#) [172501-4002](#) [172501-6002](#) [FCN-260C008-A/L0](#) [FCN-260C024-AL0](#) [FCN-261Z008](#) [2000314-1](#) [200331-1](#) [PCR-E36FC+](#) [PCS-E28FS+](#) [PCS-XE26SLFD+](#) [PCS-XE26SLFDT+](#) [G730VID08BDC24](#) [U90B2054081210](#) [38113800006](#) [DP3AR020WQ1R200](#) [Z4.102.0680.0](#) [500-1040](#) [500-1052](#) [500-1054](#) [ZP-4008-66L](#) [0709821002](#) [DX40-20P\(55\)](#) [5554841-1](#) [MS3474W18-8P-LC\\*](#) [U90B3054061110](#) [U65-E04-4020](#) [ZPF000000000097891](#) [747360449](#) [10099439-003C-TRLF](#) [10137239-0021LF](#) [E9320-001-01](#) [10137239-0011LF](#) [70289-001LF](#) [70.060.1028.0](#) [109029-ZZ](#)