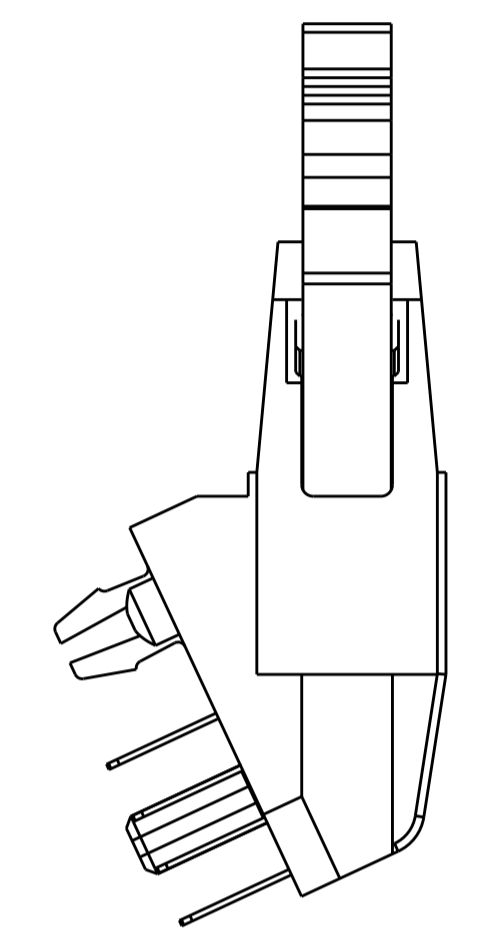
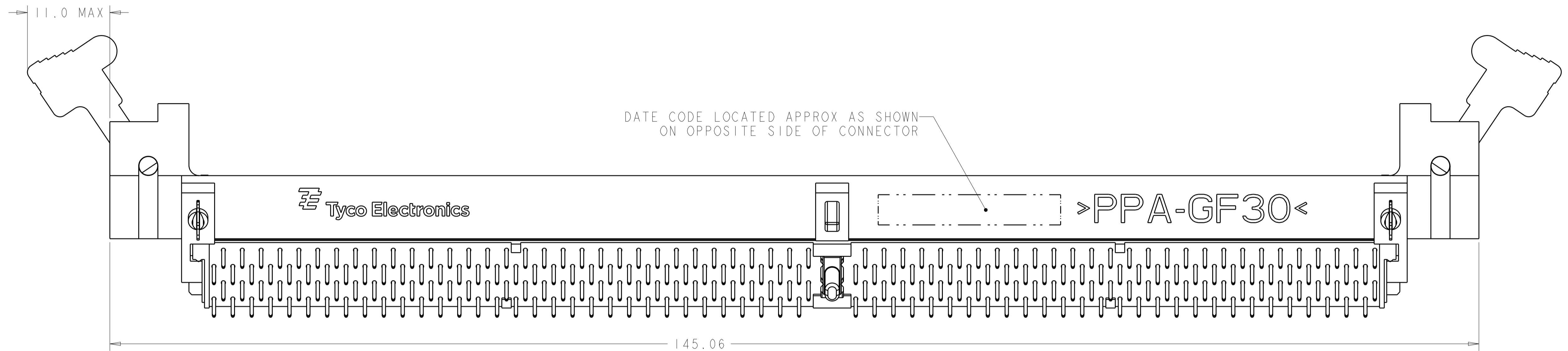
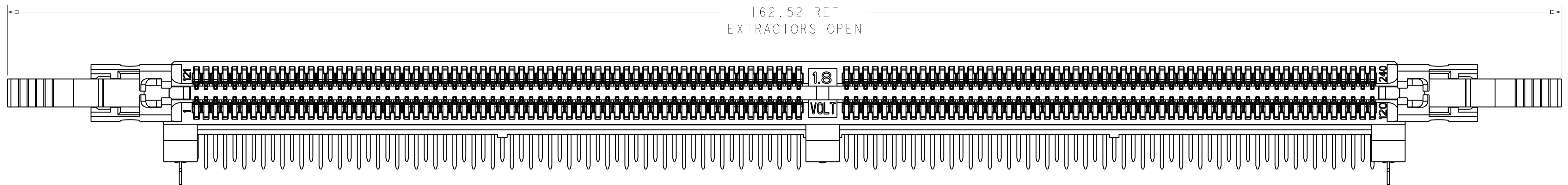
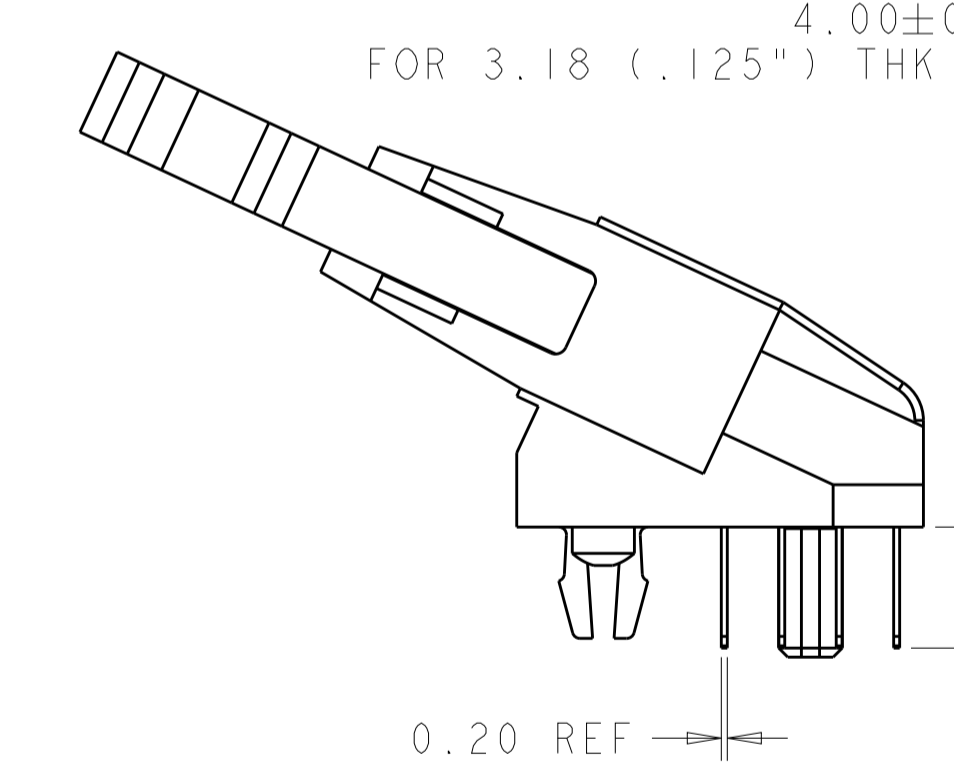
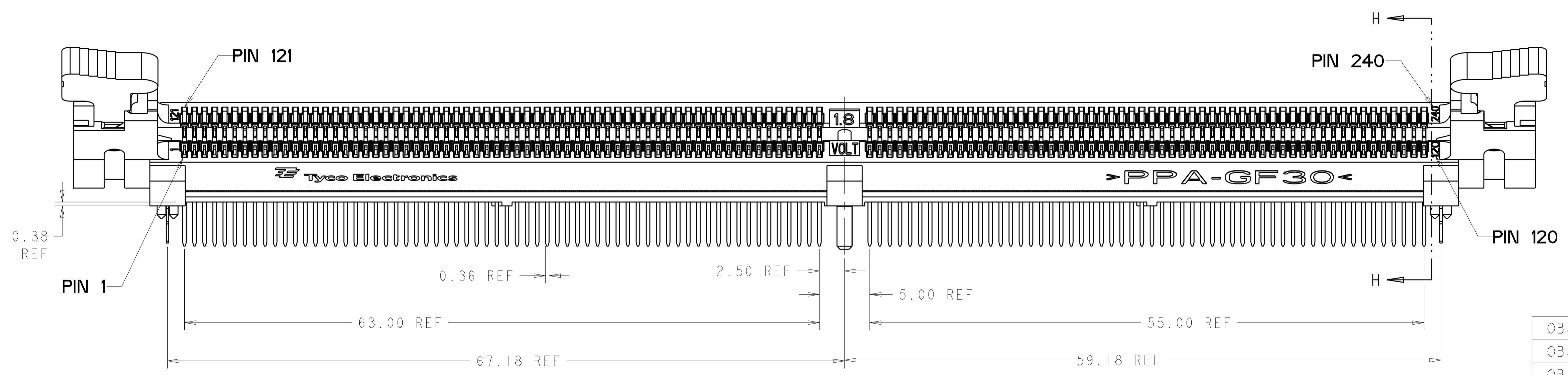


LOC	DIST	REVISIONS					
		P.	LTH	DESCRIPTION	DATE	DWN	APVD
ES	00	A3		REVISED PER ECO-11-005033	09MAY2011	RK	HMR
		A4		ECR-11-013206	27JUN2011	D.P	C.W
		A5		ECR-13-008246	21MAY2013	CC	CW



TAIL LENGTHS

- 2.67±0.25 FOR 1.60 (.063") THK PCB
- 3.18±0.25 FOR 2.36 (.093") THK PCB
- 4.00±0.25 FOR 3.18 (.125") THK PCB



- 1 MATERIALS:
HOUSING: HIGH TEMPERATURE THERMOPLASTIC, BLACK, UL94 V-0
EXTRACTOR: HIGH TEMPERATURE THERMOPLASTIC, NATURAL (OFF WHITE)
CONTACTS: COPPER ALLOY
RETENTION BARB: COPPER ALLOY
- 2 INTERFACE FINISH:
0.00076 MIN THK GOLD OVER 0.00127 MIN THK NICKEL.
0.00038 MIN THK GOLD OVER 0.00127 MIN THK NICKEL.
- 3 SOLDER TAIL FINISH:
0.00300 MIN THK MATTE LEAD FREE PLATING OVER 0.00127 MIN THK NICKEL.
- 4 RIGHT HOLE IS GLOBAL D-E ORIGIN FOR ALL POSITIONAL TOLERANCES.
LEFT AND RIGHT NON-PLATED THRU HOLES ESTABLISH [-E-].
- 5 FINISHED HOLE SIZE. Ø0.15 MAXIMUM ANNULAR RING.

- 6 DATUM [-F-] IS CONNECTOR SIDE SURFACE OF PCB.
- 7 PORE BLOCKER APPLIED TO CONTACT INTERFACE

	CONTACT GOLD INTERFACE	TAIL LENGTH	PART NUMBER
OBSOLETE	0.00008 MIN Δ	4.00	1658912-9
OBSOLETE	0.00008 MIN Δ	3.18	1658912-8
OBSOLETE	0.00008 MIN Δ	2.67	1658912-7
	0.00038 MIN Δ	4.00	1658912-6
	0.00038 MIN Δ	3.18	1658912-5
OBSOLETE	0.00038 MIN Δ	2.67	1658912-4
	0.00076 MIN Δ	4.00	1658912-3
	0.00076 MIN Δ	3.18	1658912-2
	0.00076 MIN Δ	2.67	1658912-1

THIS DRAWING IS A CONTROLLED DOCUMENT.

DWN: D. RINGLER 28OCT2003
CHK: J. McCLELLAN 29OCT2003
APVD: J. McCLELLAN 29OCT2003

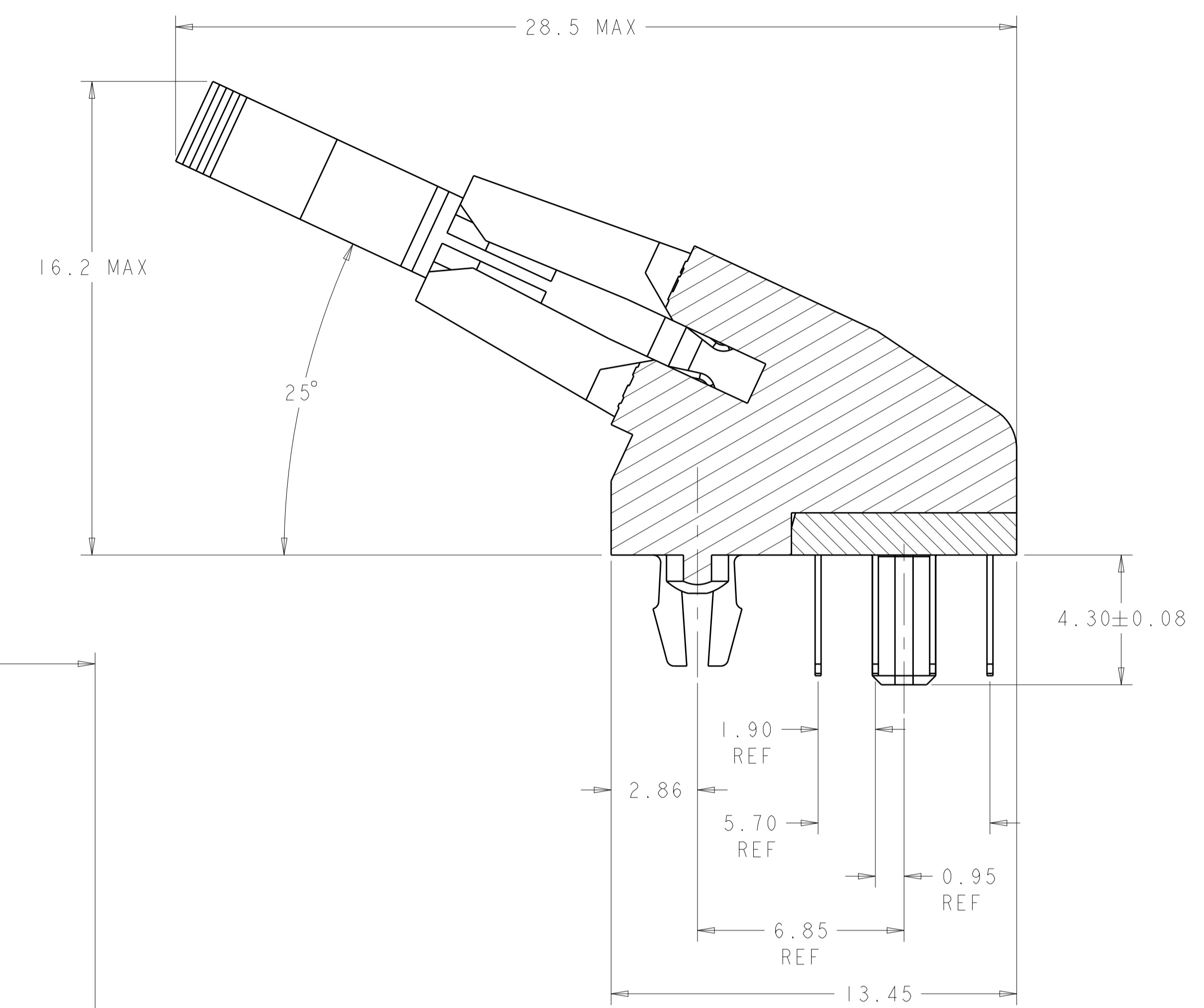
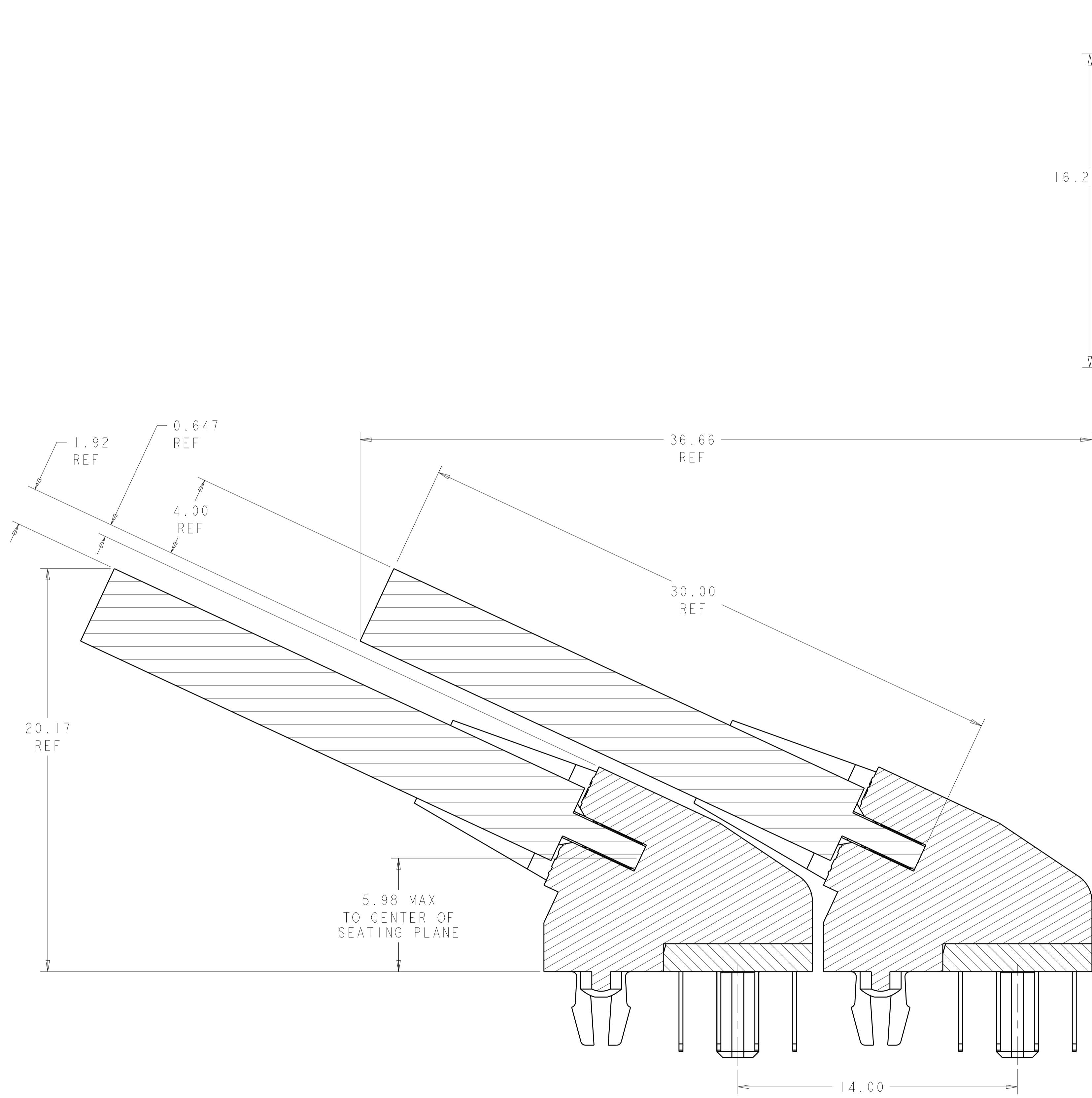
TE Connectivity

SOCKET ASSEMBLY
25 DEGREE DDR II DIMM
240 POSITION, STANDARD FOOTPRINT

SIZE: 108-2168
APPLICATION SPEC: 114-13130
WEIGHT: -
CUSTOMER DRAWING

SCALE: 1:1
SHEET 1 OF 3
REV: A5

LOC	DIST	REVISIONS					
ES	00	P	LTH	DESCRIPTION	DATE	DWN	APVD
		-	-	SEE SHEET 1	-	-	-



SECTION H-H
 SCALE 8:1

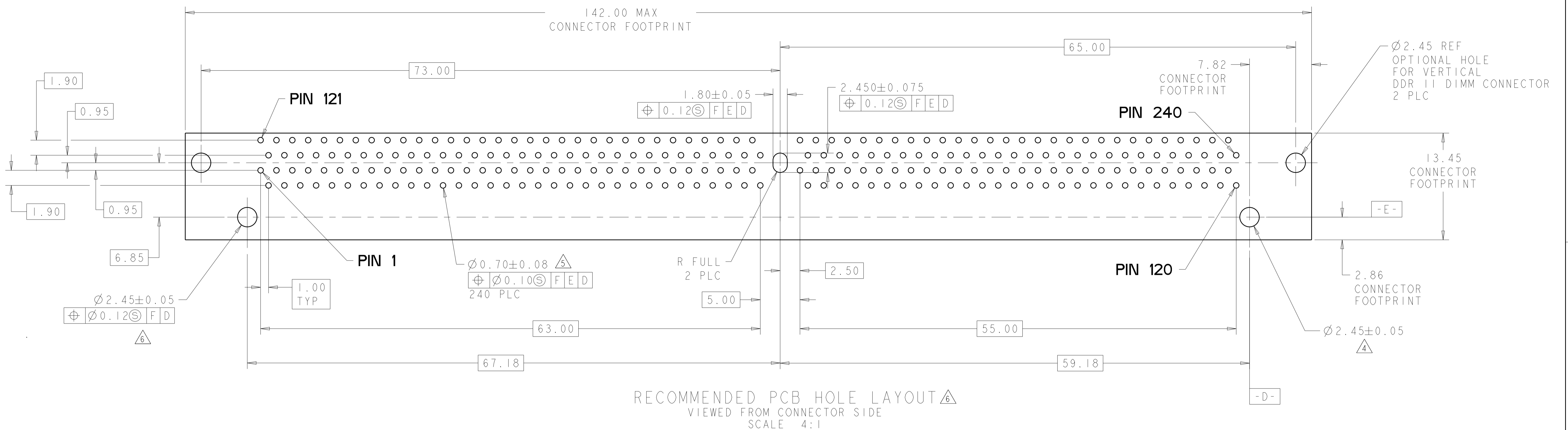
MINIMUM RECOMMENDED ROW TO ROW SPACING
 FOR 4mm THICK MODULE

SCALE 8:1

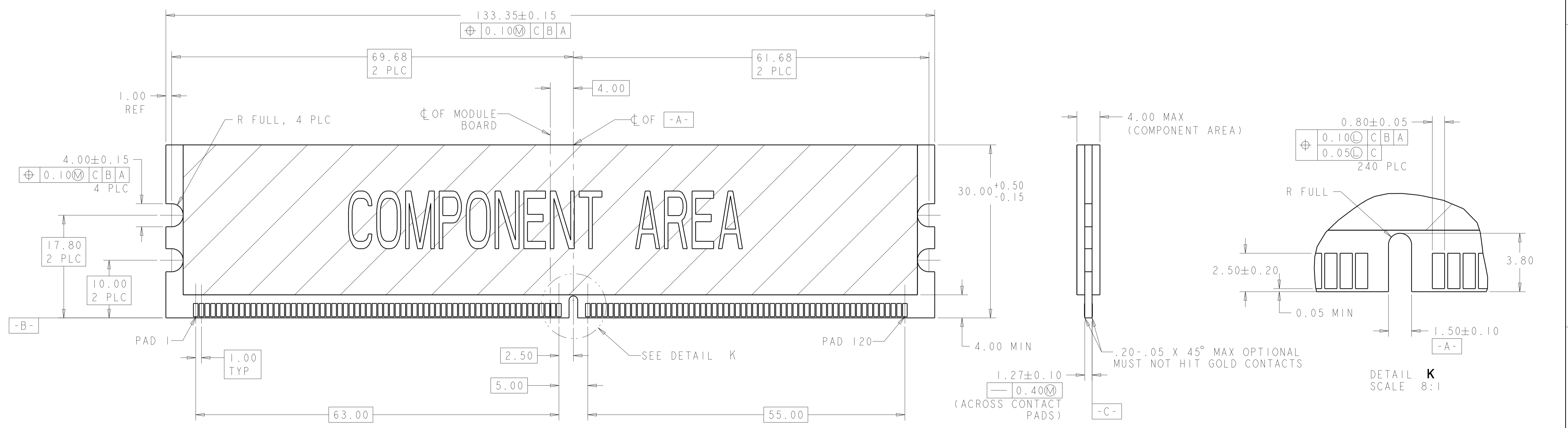
THIS DRAWING IS A CONTROLLED DOCUMENT.		DWN D. RINGLER 28OCT2003	TE Connectivity
DIMENSIONS: mm		CHK J. McCLELLAN 29OCT2003	
TOLERANCES UNLESS OTHERWISE SPECIFIED:		APVD J. McCLELLAN 29OCT2003	NAME SOCKET ASSEMBLY
0 PLC ± .25		PRODUCT SPEC	240 POSITION, STANDARD FOOTPRINT
1 PLC ± .15		108-2168	
3 PLC ± .013		APPLICATION SPEC	
4 PLC ± .01		114-13130	
ANGLES ± .1	FINISH	WEIGHT	RESTRICTED TO
MATERIAL		114-13130	A100779C=1658912
CUSTOMER DRAWING		SCALE 1:1	SHEET 2 OF 3 REV A5

LOC	DIST	REV	DATE	BY	APPV
ES	00				

REVISIONS			
NO.	DESCRIPTION	DATE	BY
-	SEE SHEET 1	-	-



RECOMMENDED PCB HOLE LAYOUT
VIEWED FROM CONNECTOR SIDE
SCALE 4:1



RECOMMENDED MODULE LAYOUT
SCALE 3:1

THIS DRAWING IS A CONTROLLED DOCUMENT.		DWN: D. RINGLER 28OCT2003 CHG: J. McCLELLAN 29OCT2003 APVD: J. McCLELLAN 29OCT2003	TE Connectivity
DIMENSIONS: mm 	TOLERANCES UNLESS OTHERWISE SPECIFIED: 0 PLC ±.25 1 PLC ±.15 2 PLC ±.15 3 PLC ±.013 4 PLC ±.013 ANGLES ±.1	NAME: SOCKET ASSEMBLY 25 DEGREE DDR II DIMM 240 POSITION, STANDARD FOOTPRINT SIZE: 114-13130 WEIGHT: - MATERIAL: - FINISH: -	
CUSTOMER DRAWING		SCALE: 1:1 SHEET: 3 OF 3 REV: A5	

X-ON Electronics

Largest Supplier of Electrical and Electronic Components

Click to view similar products for [DIMM Connectors](#) category:

Click to view products by [TE Connectivity](#) manufacturer:

Other Similar products are found below :

[1-1932649-2](#) [1-1761024-0](#) [2309411-5](#) [296409204002856+](#) [10116658-252ASLF](#) [5390471-1](#) [2309413-3](#) [78507-0061](#) [KIT-SODIMM-1X16GB/01](#) [10129206-0010013LF](#) [10086891-052TSLF](#) [10079192-11102LF](#) [10116658-152FSLF](#) [10129206-0011113LF](#) [1-2308107-0](#) [2013310-1](#) [2013289-1](#) [390111-1](#) [390112-1](#) [2309413-1](#) [2309407-1](#) [2309414-1](#) [10081530-12208LF](#) [151080-0001](#) [78726-1004](#) [10005639-11107LF](#) [10005639-11109LF](#) [10005639-12207LF](#) [10023061-10207LF](#) [10033853-252FSLF](#) [10033853-052ASLF](#) [10033853-052FSLF](#) [10033853-152FSLF](#) [10033854-052FSLF](#) [10034542-10002LF](#) [10037402-12207LF](#) [10081530-11107LF](#) [10081530-12207LF](#) [10081530-12218LF](#) [10124632-0030001LF](#) [10124806-01006LF](#) [10145891-0320J13LF](#) [10145226-0241N13LF](#) [59354-052FSLF](#) [59355-052FSLF](#) [DDR4288S0211TF](#) [DDR4288S0511H](#) [DDR4288S0511TF](#) [DDR4288V0123TF](#) [DDR4288V0213TF](#)