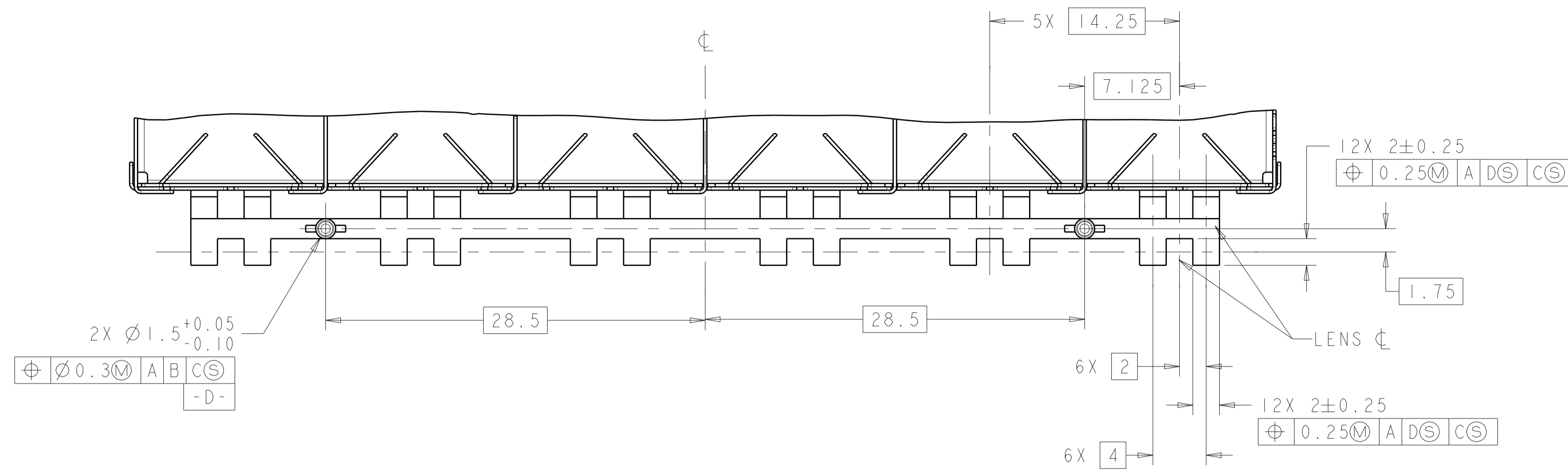
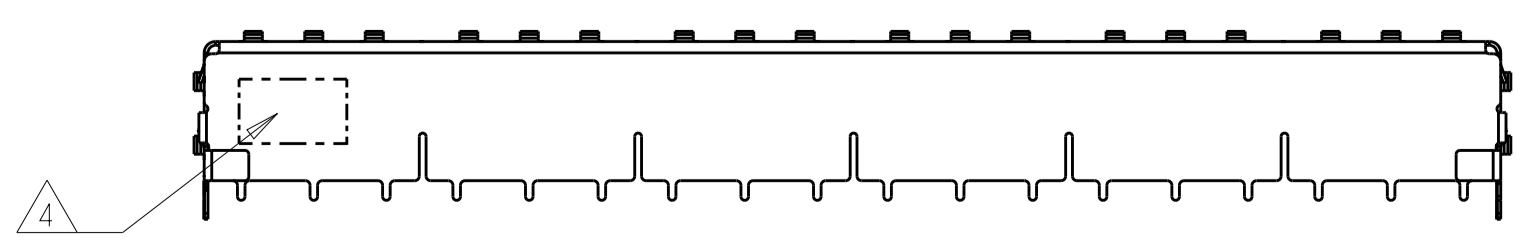
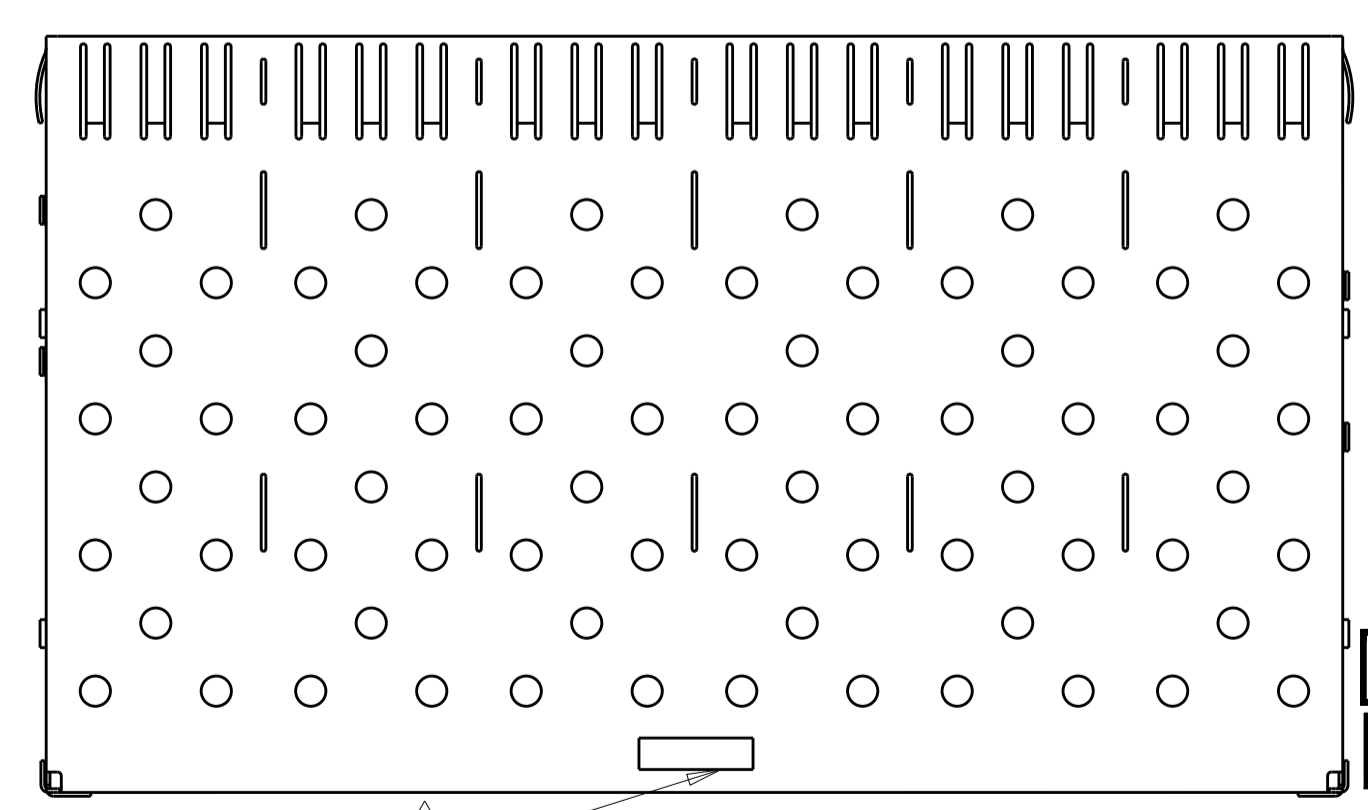
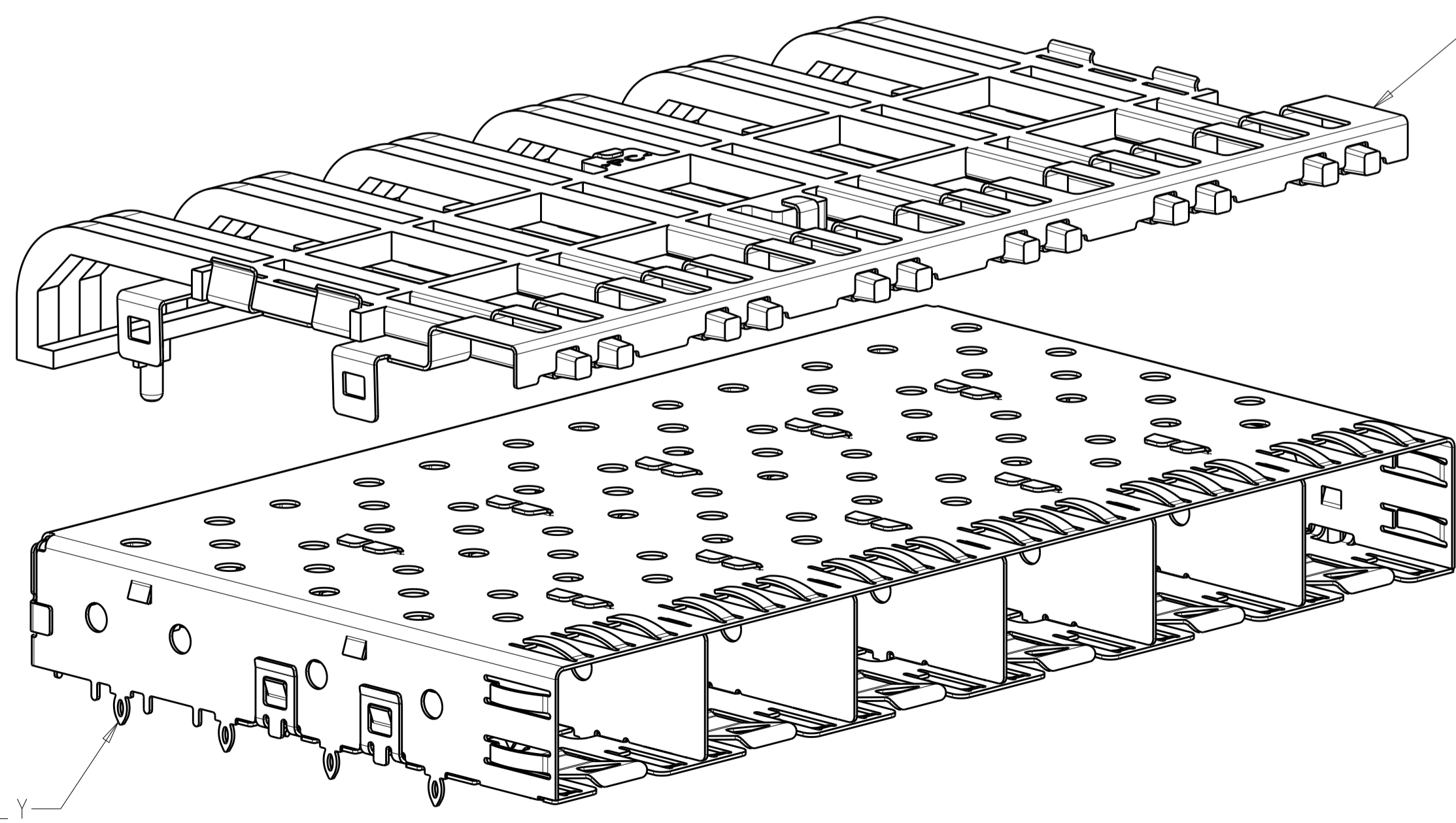
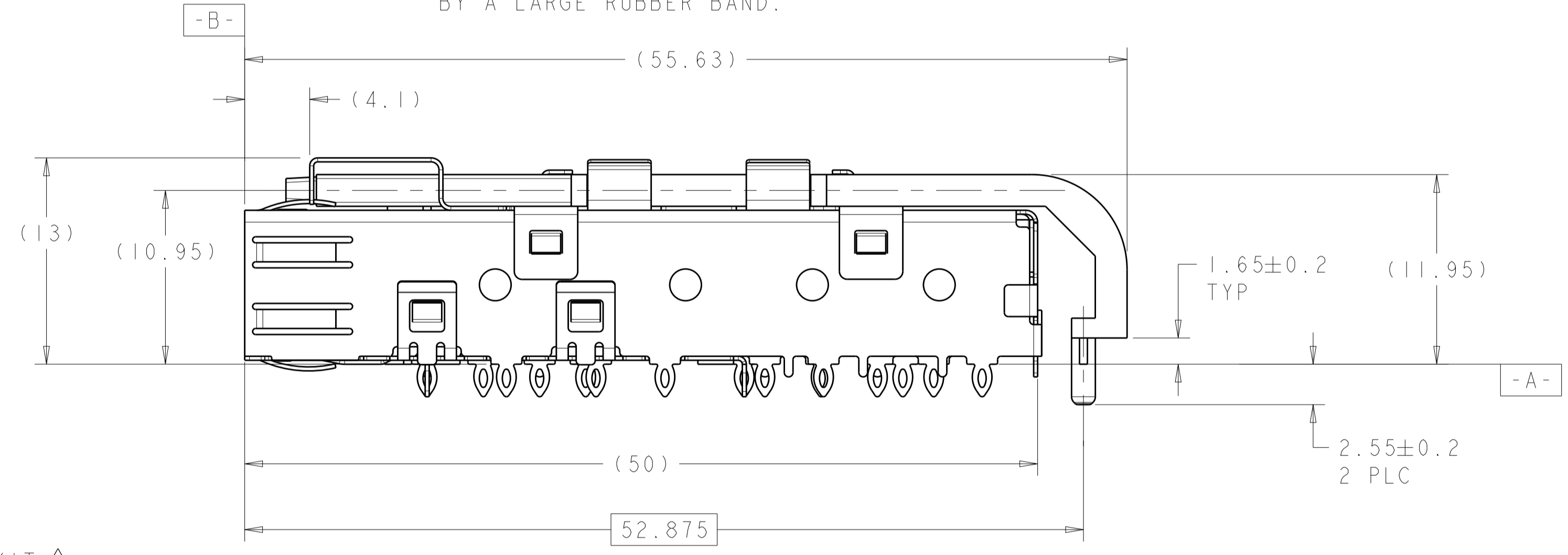
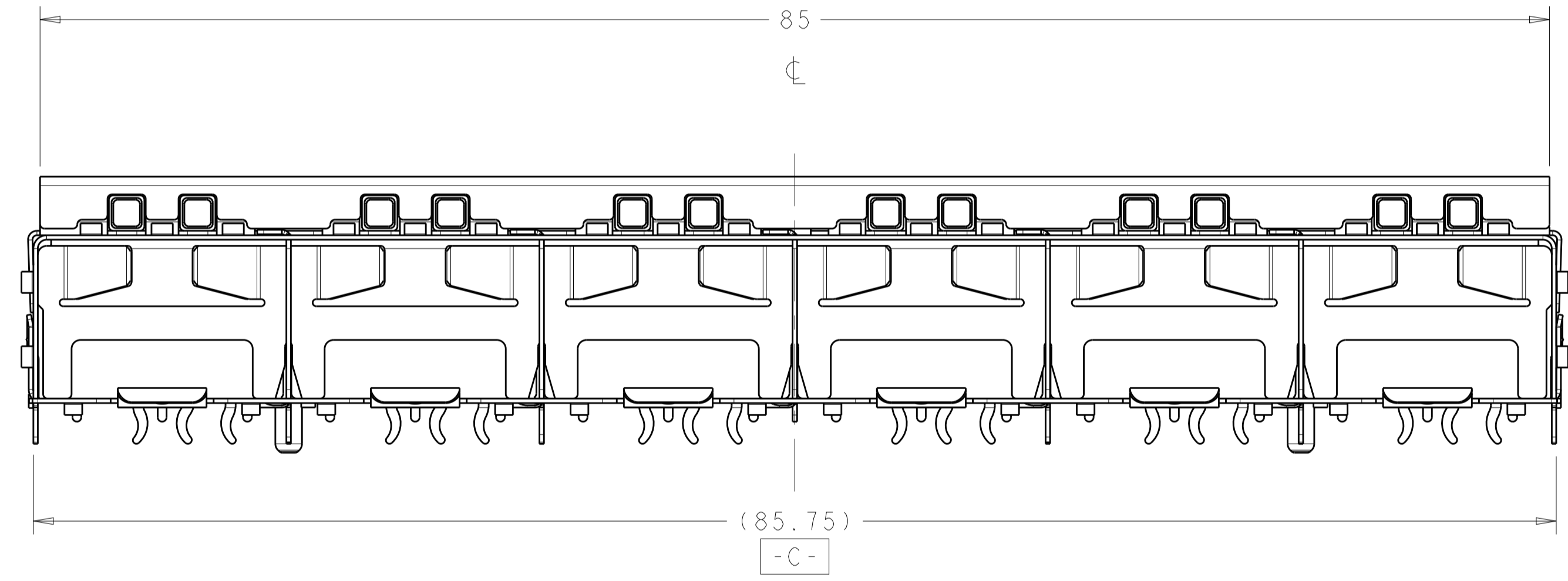


LOC	DIST	REVISIONS					
GP	00	P	LTN	DESCRIPTION	DATE	DWN	APVD
		E1		REVISED PER ECO-11-007052	06APR2011	JY	CW
		F		REVISED PER ECO-14-000886	20FEB2014	JW	SH
		F1		REVISED PER ECO-14-010419	11JUL2014	JW	SH
		G		REVISED PER ECO-15-013594	22SEP2015	JW	SH



- △ PADS AND VIAS CHASSIS GROUND
- △ DATUM AND BASIC DIMENSIONS ESTABLISHED BY CUSTOMER.
- △ LIGHT PIPE KIT WHICH IS SEPARATE FROM CAGE ASSEMBLY, KIT TO BE ATTACHED AFTER SEATING OF 1761015-1 ON PC BOARD.
- △ DATE CODE AND PART NUMBER IN APPROXIMATE AREA SHOWN LABEL ON CAGE ASSEMBLY WILL HAVE PART NUMBER 1761015-1 OR -3.
- 5. REFERENCE STYLE 1 ON APPLICATION SPECIFICATION 114-13165 FOR ADDITIONAL INFORMATION ON CAGE ASSEMBLIES WITH LIGHT PIPES.
- △ REFERENCE APPLICATION SPEC 114-13120, HOLE A, FOR RECOMMENDED DRILL HOLES DIAMETER AND PLATING THICKNESSES.
- △ REFERENCE APPLICATION SPEC 114-13120, HOLE B, FOR RECOMMENDED DRILL HOLES DIAMETER AND PLATING THICKNESSES.
- △ PATTERN REPEATS FOR EACH PORT. SPACING BETWEEN PORTS IS 14.25mm.
- △ MINIMUM PC BOARD THICKNESS = 1.50mm.
- △ COMPANY LOGO IN APPROXIMATE AREA SHOWN
- △ BOX WILL CONTAIN TRAYS OF CAGES AND TRAYS OF LIGHT PIPE ASSEMBLIES.
- △ BOX WILL CONTAIN TRAYS OF CAGES AND TRAYS OF LIGHT PIPE ASSEMBLIES. ONE TRAY OF CAGE AND ONE TRAY OF LIGHT PIPE ASSEMBLIES WILL BE HELD BY A LARGE RUBBER BAND.



1658939-1, -2, -3, -4
SCALE 3:1

SUPERSEDED BY:
1658939-4

SUPERSEDED BY:
1658939-3

LIGHT PIPE KIT	CAGE ASSEMBLY	PACKAGE	POSITION	PART NUMBER
1761013-3	1751015-3	△2	1X6 ASSEMBLY	1658939-4
1761013-3	1751015-3	△1	1X6 ASSEMBLY	1658939-3
1761013-1	1751015-1	△2	1X6 ASSEMBLY	1658939-2
1761013-1	1751015-1	△1	1X6 ASSEMBLY	1658939-1

THIS DRAWING IS A CONTROLLED DOCUMENT.

DIMENSIONS: mm

TOLERANCES UNLESS OTHERWISE SPECIFIED:

0 PLC	±0.1
1 PLC	±0.1
2 PLC	±0.10
3 PLC	±0.100
4 PLC	±0.100
ANGLES	±0.1°
FINISH	±0.1

MATERIAL: -

Customer Drawing

DWN: M.E. CONNER 21NOV2003
CHK: M.J. PHILLIPS 21NOV2003
APVD: M.J. PHILLIPS 21NOV2003

PRODUCT SPEC: 108-1950
APPLICATION SPEC: 114-13120

NAME: SFP
1X6 CAGE ASSEMBLY WITH LIGHT PIPE

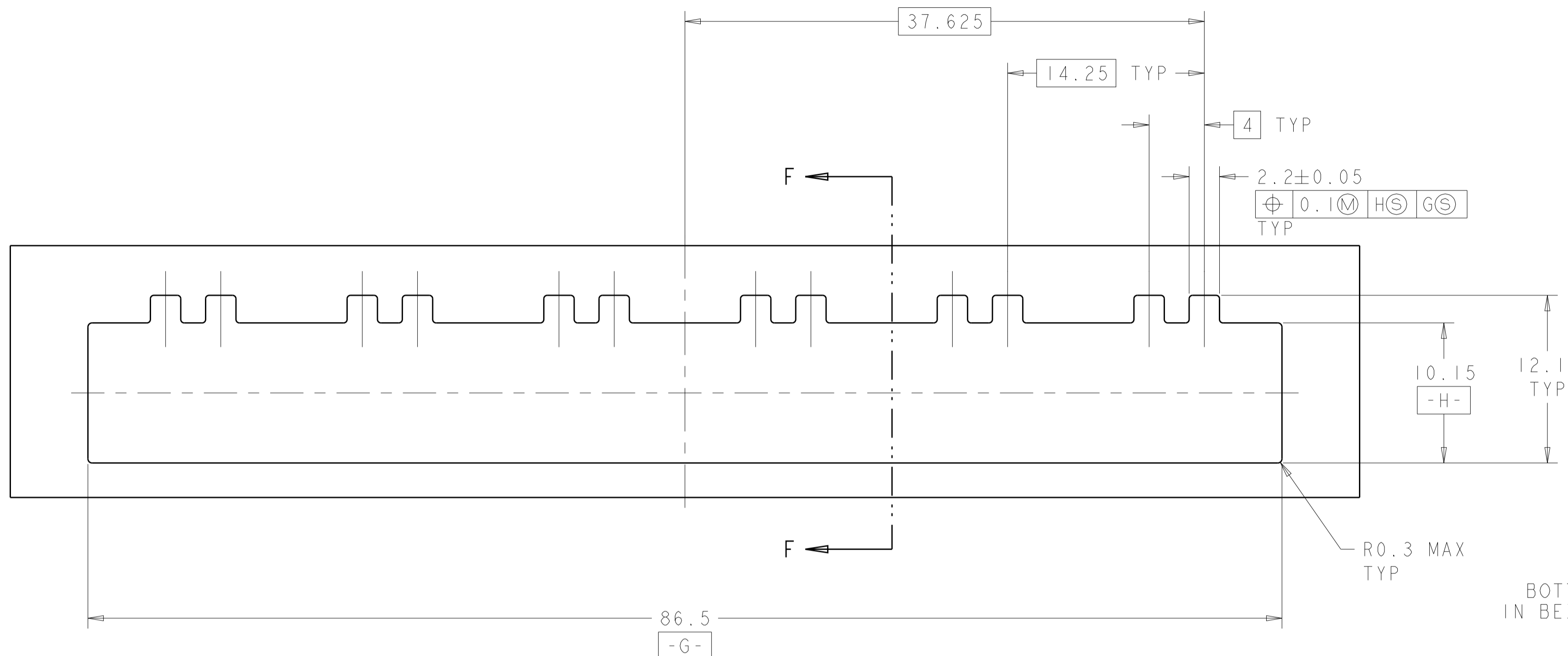
SIZE: A1
CAGE CODE: 100779
DRAWING NO: 1658939

RESTRICTED TO: -

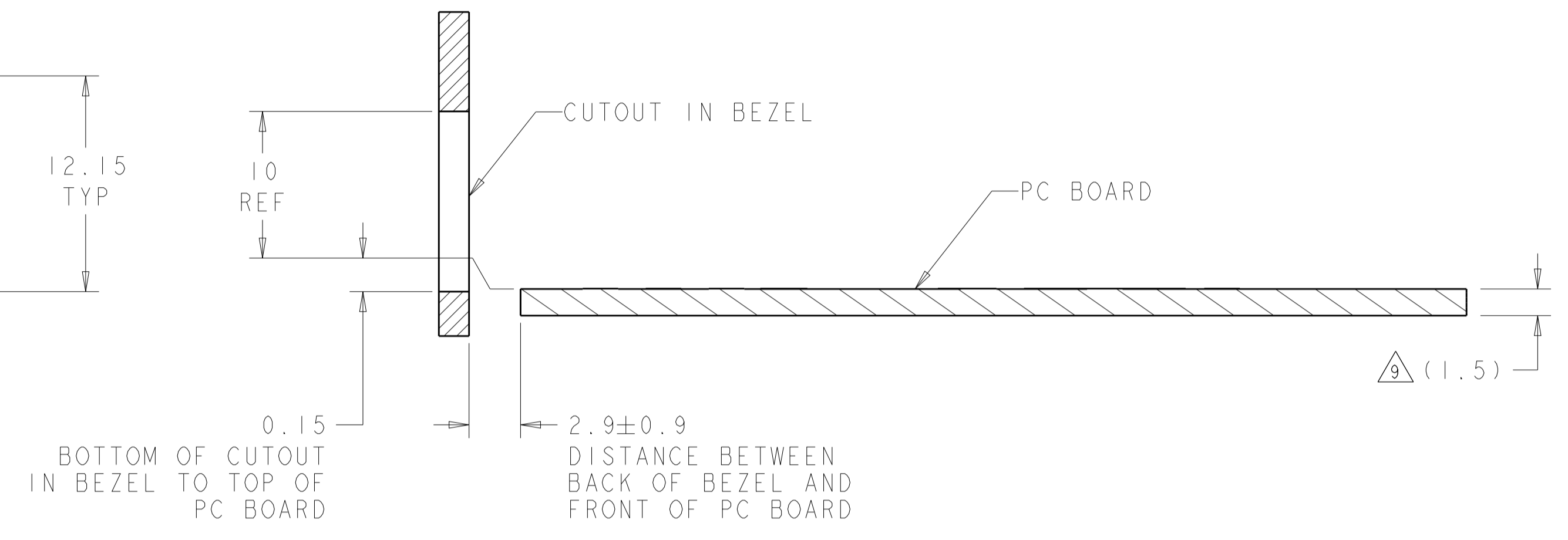
SCALE: 4:1
SHEET: 1 OF 3
REV: G

STE TE Connectivity

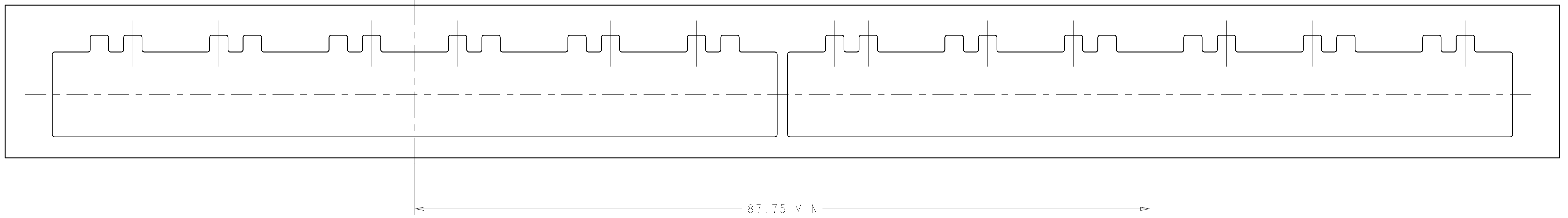
LOC		DIST		REVISIONS			
P	LTN	DESCRIPTION	DATE	DMN	APVD		
-	-	SEE SHEET 1	-	-	-		



RECOMMENDED BEZEL CUTOUT



SECTION F-F
 RECOMMENDED BEZEL CONFIGURATION



THIS DRAWING IS A CONTROLLED DOCUMENT.		DMN: M.E. CONNER 21NOV2003	TE Connectivity NAME: SFP 1X6 CAGE ASSEMBLY WITH LIGHT PIPE
DIMENSIONS: mm		CHK: M.J. PHILLIPS 21NOV2003	
TOLERANCES UNLESS OTHERWISE SPECIFIED:		APVD: M.J. PHILLIPS 21NOV2003	
0 PLC ±0.1 1 PLC ±0.1 2 PLC ±0.10 3 PLC ±0.100 4 PLC ± ANGLES ±°		PRODUCT SPEC: 108-1950 APPLICATION SPEC: 114-13120 WEIGHT: - Customer Drawing	
MATERIAL: -		FINISH: -	SIZE: A100779 CAGE CODE: C=1658939 SCALE: 4:1 SHEET 2 OF 3 REV G

X-ON Electronics

Largest Supplier of Electrical and Electronic Components

Click to view similar products for [I/O Connectors](#) category:

Click to view products by [TE Connectivity](#) manufacturer:

Other Similar products are found below :

[571763P](#) [72.250.1628.2](#) [72.250.2428.2](#) [74720-0505](#) [76.350.0729.0](#) [76871-1403](#) [FCN-244F080-G/1](#) [FCN-260A9920](#) [MP-5T180MUNNA-005](#)
[PCR-E36PM](#) [PCS-XE26MA+](#) [G38A71314B](#) [1571250010](#) [157-22500-3](#) [MS3471L14-19P L/C](#) [91-569786-35H](#) [172501-4002](#) [172501-6002](#)
[FCN-260C008-A/L0](#) [FCN-260C024-AL0](#) [FCN-261Z008](#) [2000314-1](#) [200331-1](#) [PCR-E36FC+](#) [PCS-E28FS+](#) [PCS-XE26SLFD+](#) [PCS-](#)
[XE26SLFDT+](#) [G730VID08BDC24](#) [U90B2054081210](#) [UE86K842720321](#) [38113800006](#) [DP3AR020WQ1R200](#) [Z4.102.0680.0](#) [500-1040](#)
[500-1052](#) [500-1054](#) [ZP-4008-66L](#) [0709821002](#) [10-565995-597N](#) [DX40-20P\(55\)](#) [5554841-1](#) [U90B3054061110](#) [U65-E04-4020](#)
[ZPF00000000097891](#) [557-262M2-06C](#) [747360449](#) [10099439-003C-TRLF](#) [10137239-0021LF](#) [E9320-001-01](#) [10137239-0011LF](#)