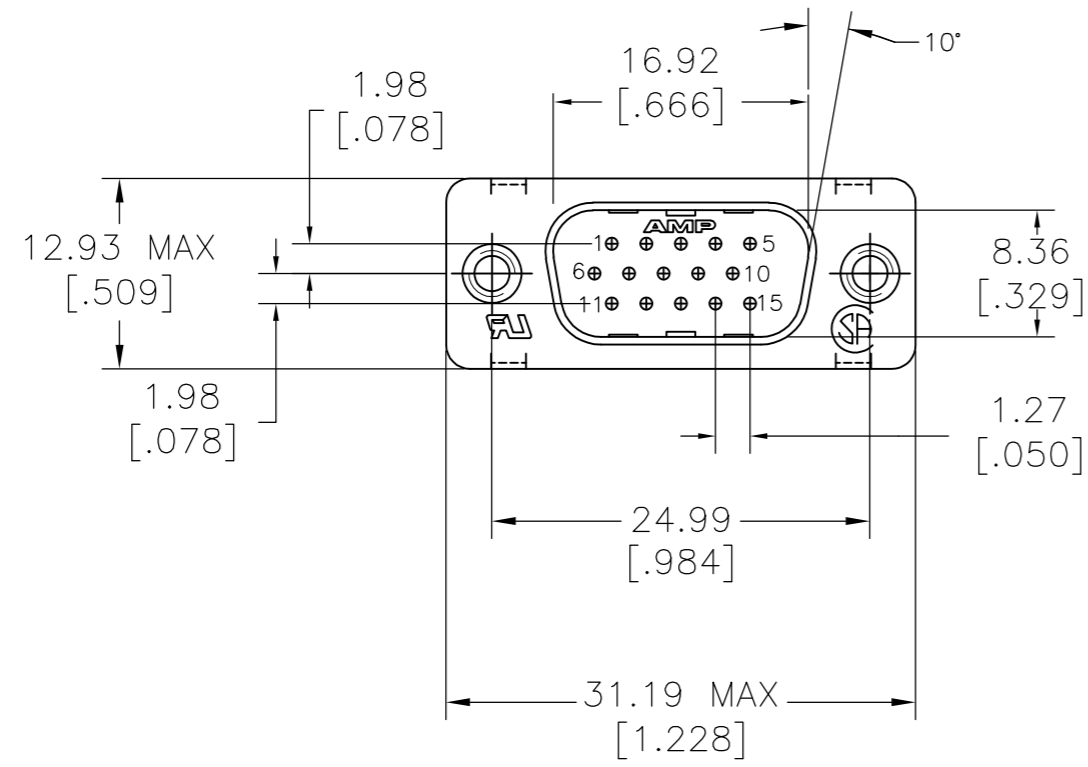
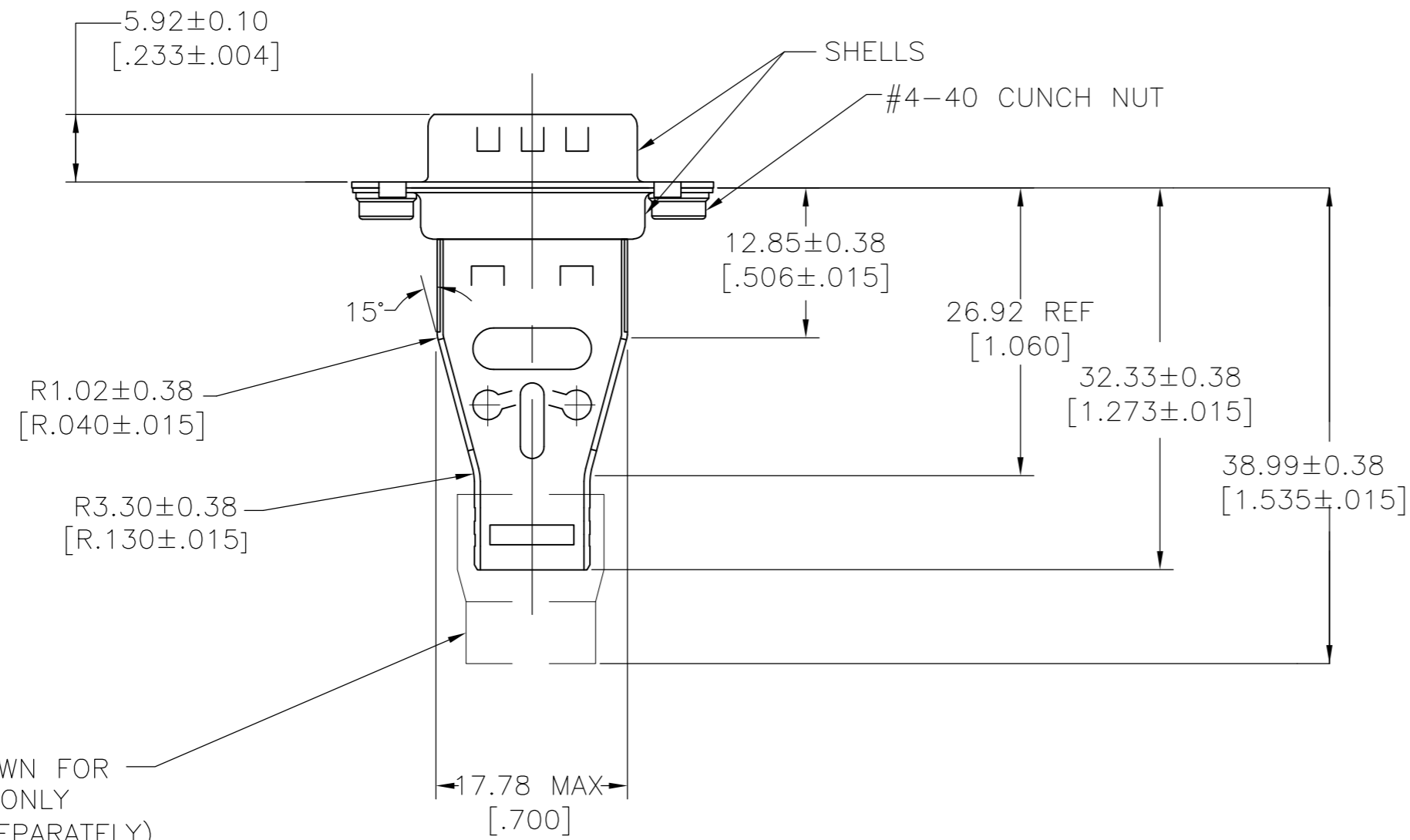


THIS DRAWING IS UNPUBLISHED. RELEASED FOR PUBLICATION
 © COPYRIGHT - By - ALL RIGHTS RESERVED.

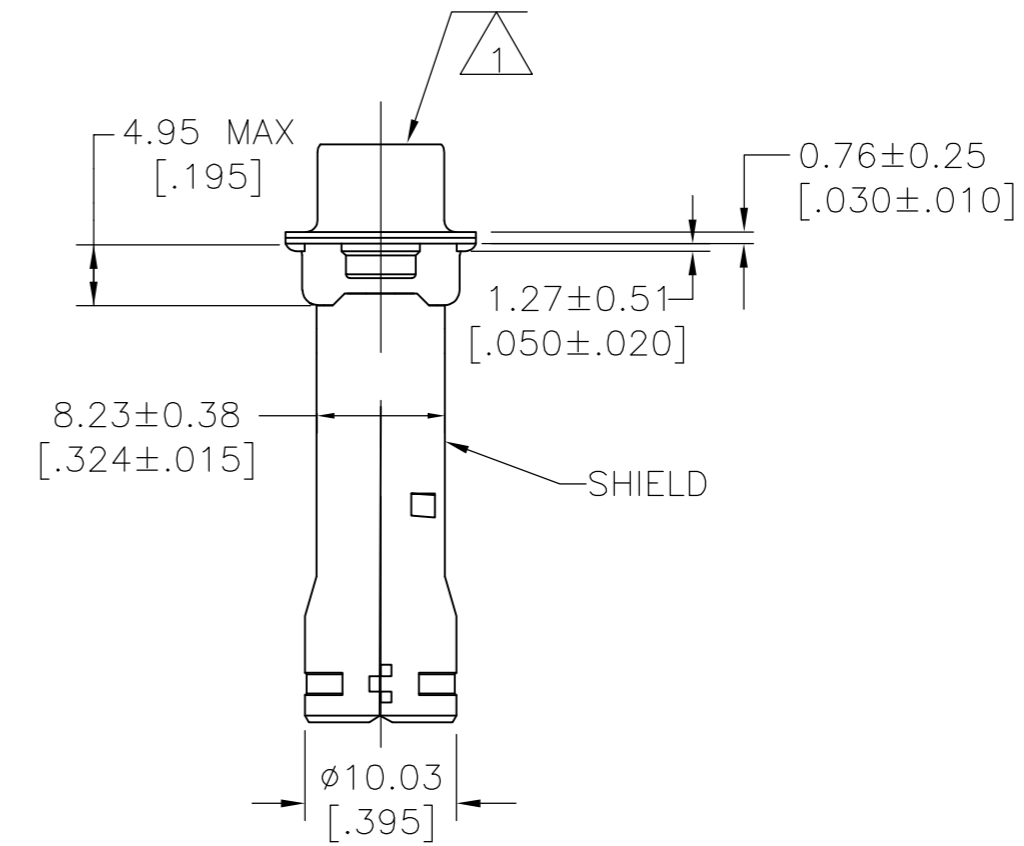
REVISIONS				
P	LTR	DESCRIPTION	DATE	APVD
A		RELEASED PER ECO-17-003325	20APR2017	AP DG



- 1 PLUG ACCEPTS SIZE 22 DF PIN CONTACTS (CONTACTS MUST BE ORDERED SEPERATELY).
- 2 ALL PARTS SHIPPED UNASSEMBLED, EACH PART INDIVIDUALLY BULK PACKED.
- 3 MOLDED PARTS: FLAME RETARDANT 94V-0 RATED GLASS FILLED NYLON, COLOR: BLACK.
SHELLS AND CLINCH NUTS: CARBON STEEL
SHIELDS : STAINLESS STEEL.
- 4 SHELLS: 0.0508[.000200] MIN TIN OVER 0.0254[.000100] MIN COPPER.
CLINCH NUTS: ZINC PER ASTM B 633, TYPE II, CLASS SCI, CLEAR CHROMATE.



FERRULE SHOWN FOR REFERENCE ONLY (PURCHASE SEPARATELY)



1658994-1
PART NUMBER

THIS DRAWING IS A CONTROLLED DOCUMENT.		DWN B. MCMASTER 27JAN04		
DIMENSIONS: mm [INCHES]		CHK S. BOLASH 27JAN04		
TOLERANCES UNLESS OTHERWISE SPECIFIED:		APVD M. WALMSLEY 27JAN04	NAME KIT, PLUG, SHIELDING HARDWARE, 15 POSN, SIZE 1, CLINCH NUTS, HDP-22, AMPLIMITE	
0 PLC ± -		PRODUCT SPEC	SIZE	
1 PLC ± -		APPLICATION SPEC	CAGE CODE	
2 PLC ± 0.13[.005]			DRAWING NO	
3 PLC ± -			RESTRICTED TO	
4 PLC ± -			SCALE	
ANGLES ± 2°			SHEET	
FINISH		WEIGHT 0.000000	REV	
MATERIAL		CUSTOMER DRAWING	A	

X-ON Electronics

Largest Supplier of Electrical and Electronic Components

Click to view similar products for [D-Sub High Density Connectors](#) category:

Click to view products by [TE Connectivity](#) manufacturer:

Other Similar products are found below :

[1484349-1](#) [163A16769X](#) [163A16809X](#) [163A17089X](#) [164A17199X](#) [164A17209X](#) [164A17479X](#) [164A18209X](#) [17BH-044S-AA110](#) [K86X-AD-26S](#) [KF66X-A26P-NJ](#) [KF66X-E15P-N](#) [241A17320X](#) [242A18390X](#) [242A25740X](#) [L717HDB44POL2R210](#) [L717HDCH62POL2RM5](#) [L717HDEH15POL2](#) [L777HDE15P](#) [L77HDC62S](#) [L77HDE15SC309](#) [163A16779X](#) [163A16839X](#) [163A17049X](#) [163A17079X](#) [164A17309X](#) [164A17329X](#) [164A18219X](#) [241A16440X](#) [241A16550X](#) [241A16680X](#) [241A17390X](#) [241A20810X](#) [241A25740X](#) [CT25-44P](#) [K66X-E15S-N30](#) [K86X-BA-44S](#) [K86X-ED-15S-BR15](#) [K86X-ED-15SK](#) [L177HDE15SOL2RM23](#) [L177HRC62S](#) [L177HRC62SVFM](#) [L177HRCG62S](#) [L717HDBH44POL2RM5](#) [L717HDEG15POL2RM5](#) [L77HDA26SVF](#) [L77HDE15SD1CO](#) [L77HDEH15SOL2RM832](#) [DAMA-15S-WS](#)
[443895-3](#)