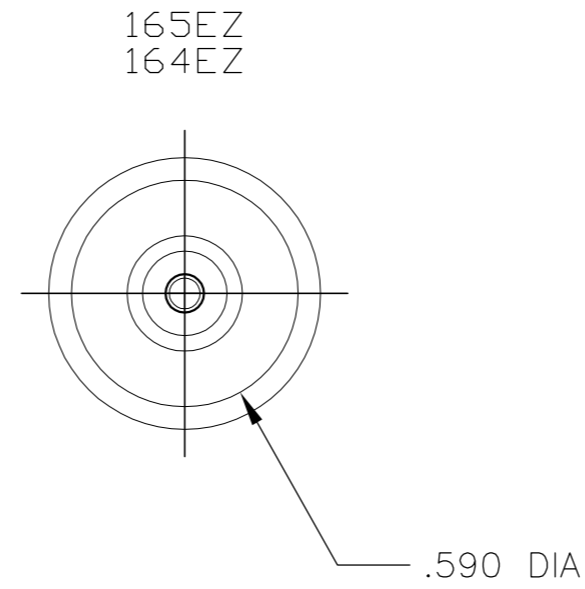
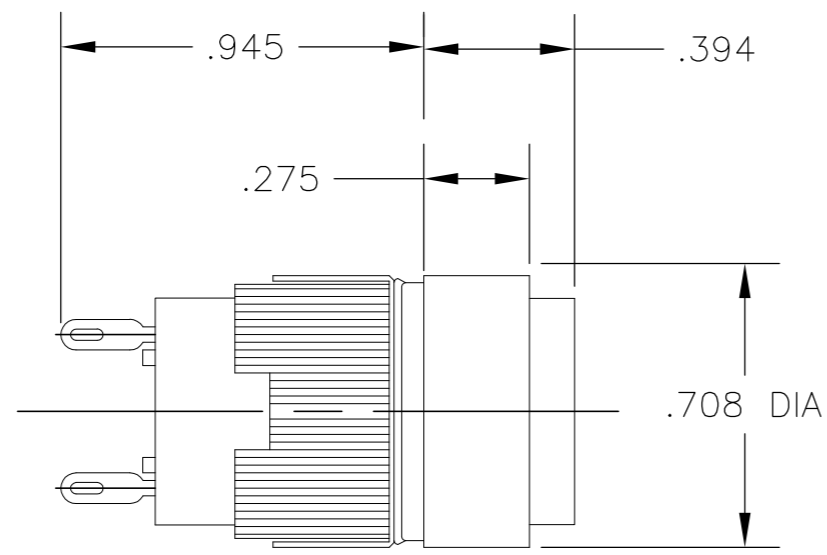
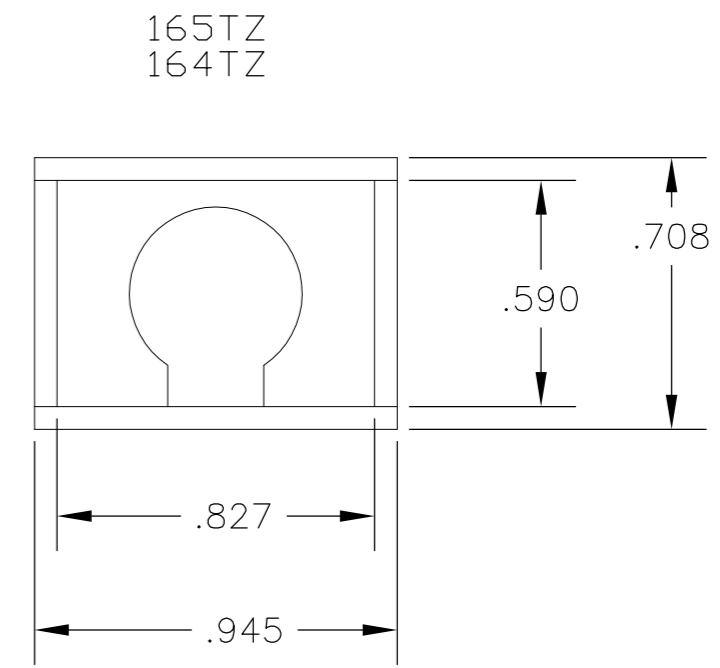
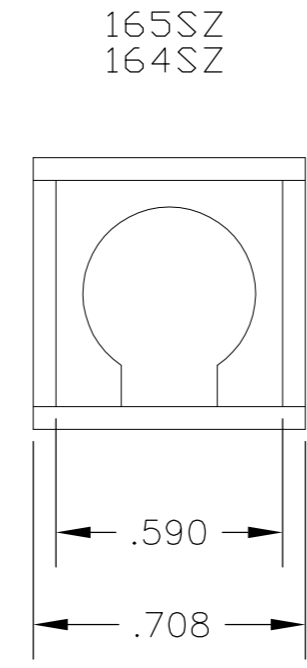


THIS DRAWING IS UNPUBLISHED. RELEASED FOR PUBLICATION  
 © COPYRIGHT - By - ALL RIGHTS RESERVED.

| LOC | DIST | REVISIONS   |                           |         |        |
|-----|------|-------------|---------------------------|---------|--------|
| P   | LTR  | DESCRIPTION | DATE                      | DWN     | APVD   |
| AD  | 00   | B1          | REVISED PER ECO-11-005027 | 11MAR11 | RK HMR |



**SIDE VIEW**  
(SEE NOTE 3)



**SPECIFICATIONS:**

- LAMP DISSIPATION: 1.2W MAX.
- INSULATION RESISTANCE: 100 MEGOHMS MIN.
- DIELECTRIC STRENGTH: 2000 VAC.
- OPERATING TEMPERATURE: -20°C TO +50°C  
(-4°F TO +122°F).

**NOTES:**

- LAMP IS T 3/4 MIDGET FLANGE BASE TYPE (LAMP NOT SUPPLIED).
- 164 IS NON-DILTIGHT SERIES, 165 IS DILTIGHT SERIES.
- VIEWS INCLUDE PLASTIC SHROUDS FOR AVAILABLE LENS SETS, (NOT SUPPLIED).

- 4 THE PLATINGS CONTAINED IN THIS PART SHALL CONTAIN NO LEAD.
- 5 PRELIMINARY PART, NOT RELEASED FOR PRODUCTION.

|             |              |          |
|-------------|--------------|----------|
| 1571542-4   | 165TZ        | 4 5      |
| 1571542-3   | 164TZ        |          |
| 1571542-2   | 164SZ        |          |
| 1571542-1   | 164EZ        |          |
| 5-1437569-9 | 165TZ        |          |
| 5-1437569-3 | 165SZ        |          |
| 4-1437569-6 | 165EZ        |          |
| 4-1437569-1 | 164TZ        |          |
| 3-1437569-2 | 164SZ        |          |
| 1437569-8   | 164EZ        |          |
| PART No.    | MODEL NUMBER | COMMENTS |

REF AUGAT 81091

|  |  |                         |   |  |
|--|--|-------------------------|---|--|
| THIS DRAWING IS A CONTROLLED DOCUMENT. |  | DWN S KIRCORIAN 5-18-94 | <b>STE</b> TE Connectivity              |  |
| DIMENSIONS: INCHES                     |  | CHK W THIA 5-19-94      |   |  |
| TOLERANCES UNLESS OTHERWISE SPECIFIED: |  | APVD W THIA 5-19-94     | NAME PILOT LIGHT 164/165 Z              |  |
| 0 PLC ± -                              |  | PRODUCT SPEC            | SIZE CAGE CODE DRAWING NO RESTRICTED TO |  |
| 1 PLC ± -                              |  | APPLICATION SPEC        | A2 00779 C=2-1437569-4                  |  |
| 2 PLC ± -                              |  | WEIGHT -                | SCALE NTS SHEET 1 OF 1 REV B1           |  |
| 3 PLC ± .010                           |  | CUSTOMER DRAWING        |   |  |
| 4 PLC ± -                              |  |                         |   |  |
| ANGLES ± -                             |  |                         |   |  |
| FINISH -                               |  |                         |   |  |

## X-ON Electronics

Largest Supplier of Electrical and Electronic Components

*Click to view similar products for* [Industrial Panel Mount Indicators / Switch Indicators](#) *category:*

*Click to view products by* [TE Connectivity](#) *manufacturer:*

Other Similar products are found below :

[LW1A-P1-GD](#) [LW1A-P1-W](#) [01-931.3](#) [01-152.025](#) [73.362.4028.0](#) [750-1520](#) [9001OA120](#) [A0142N5](#) [A3DT-500Y](#) [AL6M-LK3-R](#) [AL6M-P7P-A](#) [AOLQW-2B0600](#) [AP1M255-A](#) [APD106LN-G](#) [APD106LN-S](#) [APN1126-G](#) [APS122DN-W](#) [ASLWLD-G](#) [ASLWLD-R](#) [ATN2100](#) [AYLW4L-A](#) [18-237.035](#) [18-945](#) [HW1A-L1-GD](#) [HW1A-P2-GL](#) [HW1X-BM411-R](#) [HW2A-L1-GL](#) [HW2A-P1-GD](#) [HWAZ1N-OB](#) [PA2100/2](#) [PA2200/1](#) [PA2SHIELD](#) [PAMR25](#) [LA3P-1C03V-Y](#) [96-923.5](#) [A0244J2](#) [LSPD-120A](#) [LSPD-1Y](#) [LSPD-6A](#) [LSPD-6DA](#) [LSPD-6DW](#) [LSPD-6DY](#) [LSPD-6R](#) [LSPD-6W](#) [18-946](#) [AL6H-LK3-A](#) [AL6H-P4-JW](#) [AL6M-LK1-MG](#) [AP8M155-G](#) [APD106LN-W](#)