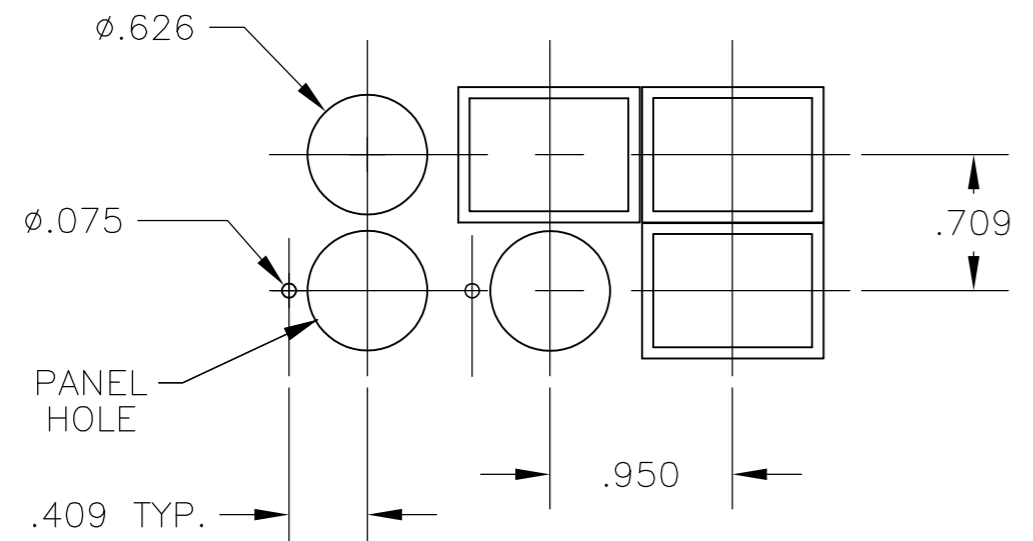
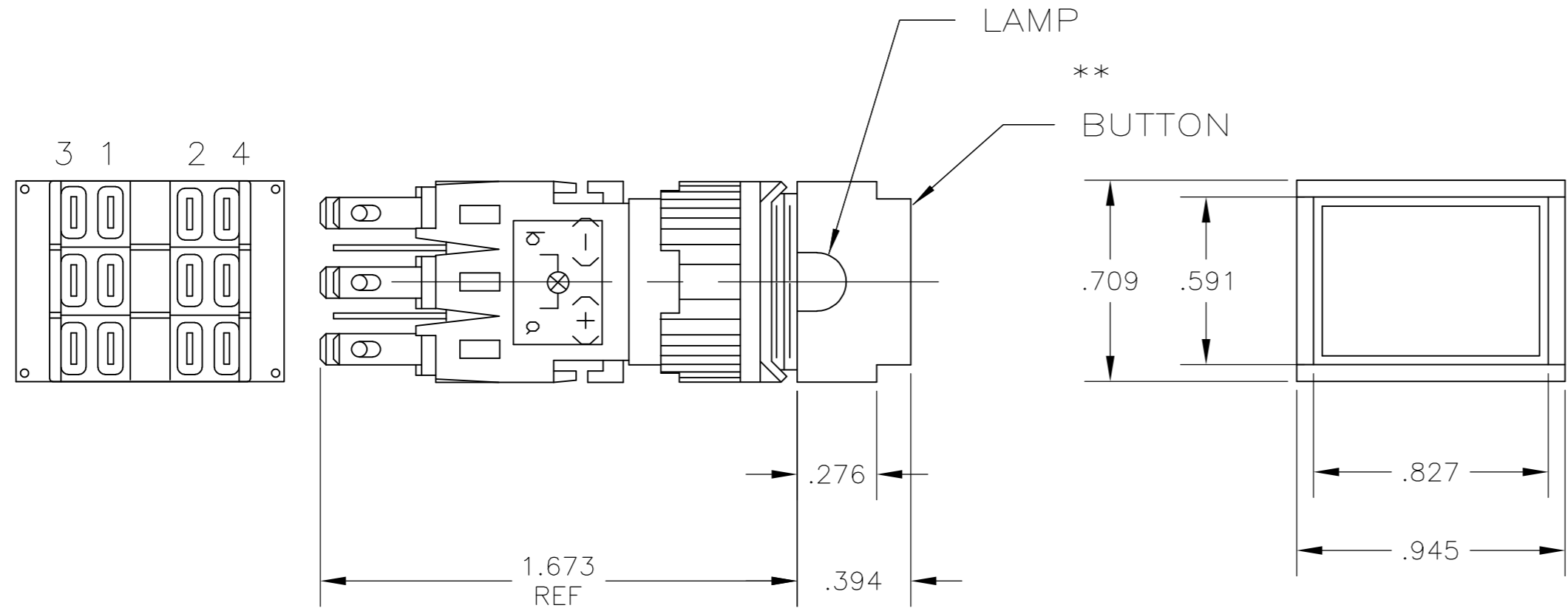


THIS DRAWING IS UNPUBLISHED. RELEASED FOR PUBLICATION
 © COPYRIGHT BY TYCO ELECTRONICS CORPORATION. ALL INTERNATIONAL RIGHTS RESERVED.

LOC		DIST		REVISIONS			
AD	00	P	LTR	DESCRIPTION	DATE	DWN	APVD
		A1		REVISED PER ECO-10-000290	07JAN11	HMR	MW



RECOMMENDED HOLE LAYOUT
 TOLERANCE +/- .002

SPECIFICATIONS:

MATERIALS:
 MOVING CONTACT: COPPER ALLOY, GOLD PLATE OVER SILVER CLAD.
 FIXED CONTACT: COPPER ALLOY, GOLD PLATE OVER SILVER CLAD.

ELECTRICAL:
 CONTACT RATING: .04VA @ 20VDC OR PEAK AC.
 5 AMPS @ 250VAC OR 24VDC (RESISTIVE).
 INITIAL CONTACT RESISTANCE: 20 MILLIOHMS MAX.
 INSULATION RESISTANCE: 100 MEGOHMS MINIMUM.
 DIELECTRIC STRENGTH: 1500 VOLTS RMS @ SEA LEVEL.
 LIFE EXPECTANCY: 100,000 CYCLES.

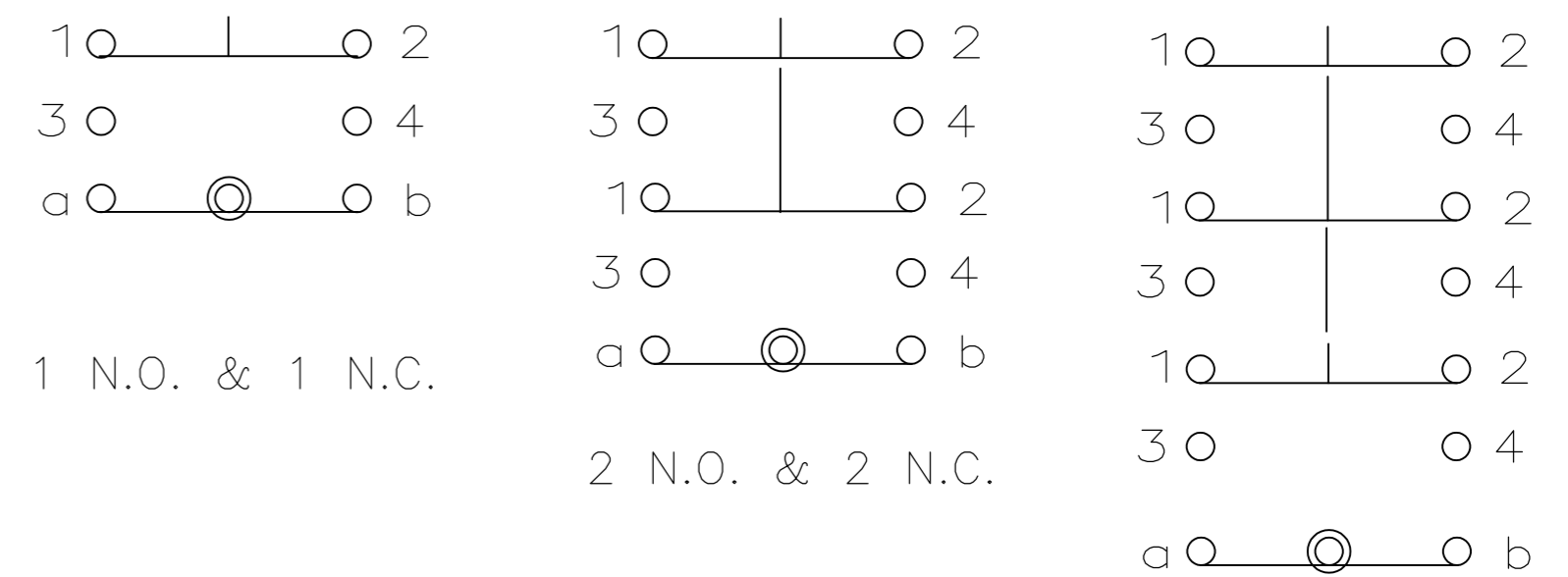
ENVIRONMENTAL:
 OPERATING TEMPERATURE: -4°F TO +122°F (-20°C TO +50°C)
 STORAGE TEMPERATURE: -4°F TO +122°F (-20°C TO +50°C)

- INTERPRET DRAWING PER ASME Y14.5M-1994.
- OILTIGHT MODELS MEET NEMA 1, 12, 13 REQUIREMENTS.
- UL RECOGNIZED E-51302.
- PANEL THICKNESS: NON-OILTIGHT = 0.230 MAX.
OILTIGHT = 0.210 MAX.

** ORDER BUTTON AND LAMP SEPARATELY: SEE DWG NO. 80810 & 80811

- 5 THE PLATINGS CONTAINED IN THIS PART SHALL CONTAIN NO LEAD.
- 6 PRELIMINARY PART

5	1571545-5		165TL511	1 N.O. & N.C.	PUSH ON/PUSH OFF
5	1571545-4		165TL11	1 N.O. & N.C.	MOMENTARY
5	1571545-3	164TL522		2 N.O. & N.C.	PUSH ON/PUSH OFF
5	1571545-2	164TL22		2 N.O. & N.C.	MOMENTARY
5	1571545-1	164TL11		1 N.O. & N.C.	MOMENTARY
5	5-1437569-8		165TL533	3 N.O. & N.C.	PUSH ON/PUSH OFF
5	5-1437569-7		165TL522	2 N.O. & N.C.	PUSH ON/PUSH OFF
5	5-1437569-6		165TL511	1 N.O. & N.C.	PUSH ON/PUSH OFF
			165TL33	3 N.O. & N.C.	MOMENTARY
5	5-1437569-5		165TL22	2 N.O. & N.C.	MOMENTARY
5	5-1437569-4		165TL11	1 N.O. & N.C.	MOMENTARY
	147521-1		165TL	-	MOMENTARY
4	4-1437569-0	164TL533		3 N.O. & N.C.	PUSH ON/PUSH OFF
3	3-1437569-9	164TL522		2 N.O. & N.C.	PUSH ON/PUSH OFF
3	3-1437569-8	164TL511		1 N.O. & N.C.	PUSH ON/PUSH OFF
3	3-1437569-7	164TL5		-	PUSH ON/PUSH OFF
3	3-1437569-6	164TL33		3 N.O. & N.C.	MOMENTARY
3	3-1437569-5	164TL22		2 N.O. & N.C.	MOMENTARY
3	3-1437569-4	164TL11		1 N.O. & N.C.	MOMENTARY
3	3-1437569-3	164TL		-	MOMENTARY
TE PART No.	MODEL NON OILTIGHT	MODEL OILTIGHT	CONTACTS	ACTION	



CONTACT DIAGRAM (BUTTON NOT DEPRESSED) 3 N.O. & 3 N.C. WAS 80865

THIS DRAWING IS A CONTROLLED DOCUMENT.		DWN LM 2-23-89	Tyco Electronics Corporation Harrisburg, PA 17105-3608	
DIMENSIONS: INCHES		CHK TH 3-22-89	NAME 164/165 TL SERIES ILLUMINATED PUSHBUTTON	
TOLERANCES UNLESS OTHERWISE SPECIFIED:		APVD CF 3-22-89	SIZE CAGE CODE DRAWING NO RESTRICTED TO	
0 PLC ± -		PRODUCT SPEC -	A2 00779 C-3-1437569-4	
1 PLC ± -		APPLICATION SPEC -	SCALE 1:1 SHEET 1 OF 1 REV A1	
2 PLC ± -		WEIGHT -	CUSTOMER DRAWING	
3 PLC ± .010				
4 PLC ± -				
ANGLES ± -				
FINISH -				

3-1437569-4

X-ON Electronics

Largest Supplier of Electrical and Electronic Components

Click to view similar products for [Pushbutton Switches](#) category:

Click to view products by [TE Connectivity](#) manufacturer:

Other Similar products are found below :

[LW1L-M1C10V-A](#) [LW2L-A1C20M-GD](#) [LW2L-M1C20M-A](#) [60324L](#) [M7E-HRN2](#) [67021K512](#) [67081K512X](#) [701PB580](#) [719-5504-000](#)
[MDPSSGLFS](#) [810KSV30B](#) [MML23KA3AC05K-001](#) [MML23KW3AA01W](#) [8418K2](#) [8646AB6X718UL](#) [8646ABUL](#) [FSDWH](#) [9001KXRK](#)
[9001T8BK](#) [9533CD4+U574+U4922](#) [1203MRA](#) [A22EM01S](#) [A595](#) [1202A6](#) [12037A2ULCSA](#) [1203A2UL](#) [ABD122N-B](#) [1211390004](#)
[ABN111-Y](#) [1211500044](#) [1211580012](#) [1212MRA](#) [1232A6NF](#) [RA3CSH6A](#) [1241.1183.7047](#) [1241.2511](#) [1241.3428](#) [1223A2ULCSA](#)
[1223MRA](#) [1232AX2119](#) [1241.1183.8000](#) [1241.1183.8029](#) [1241.2506](#) [1241.2606](#) [12MA6](#) [1301940184](#) [RELBARF6X10\(PLASTIC\)](#)
[13435AG](#) [13440AD2G25X822+U4546](#) [13445A4GX768](#)