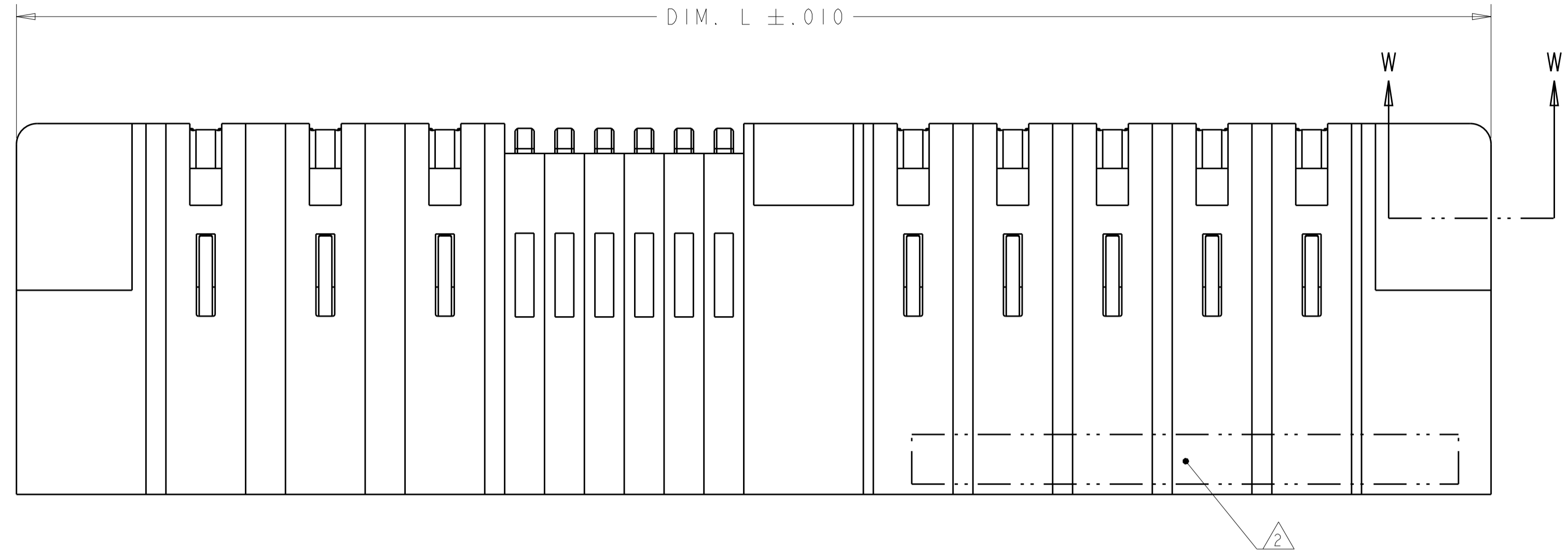
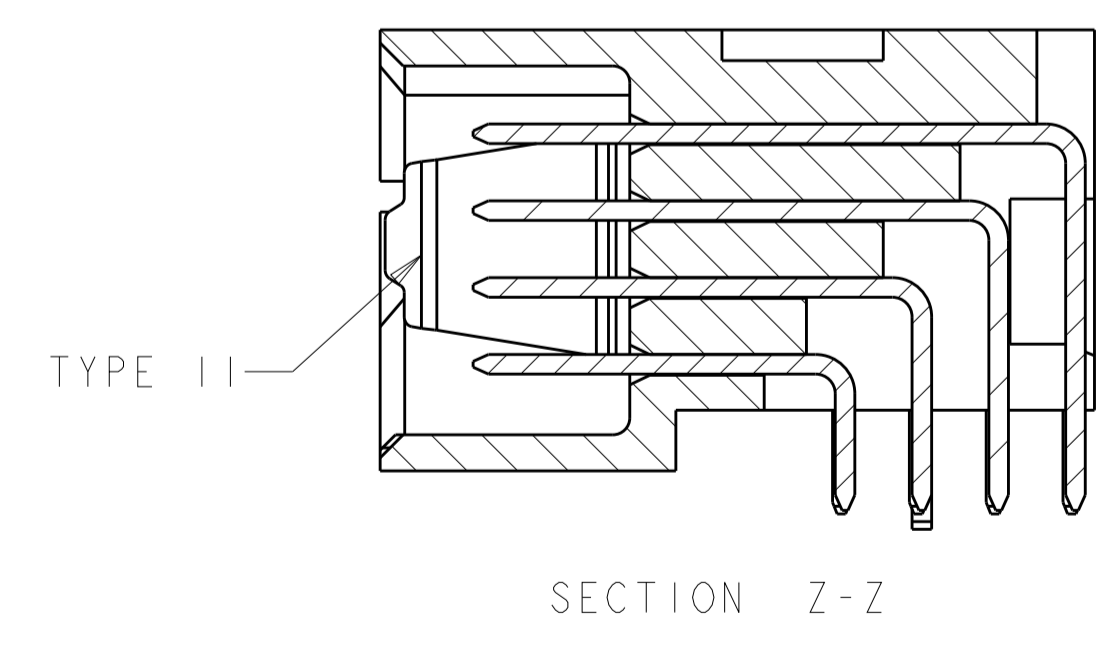
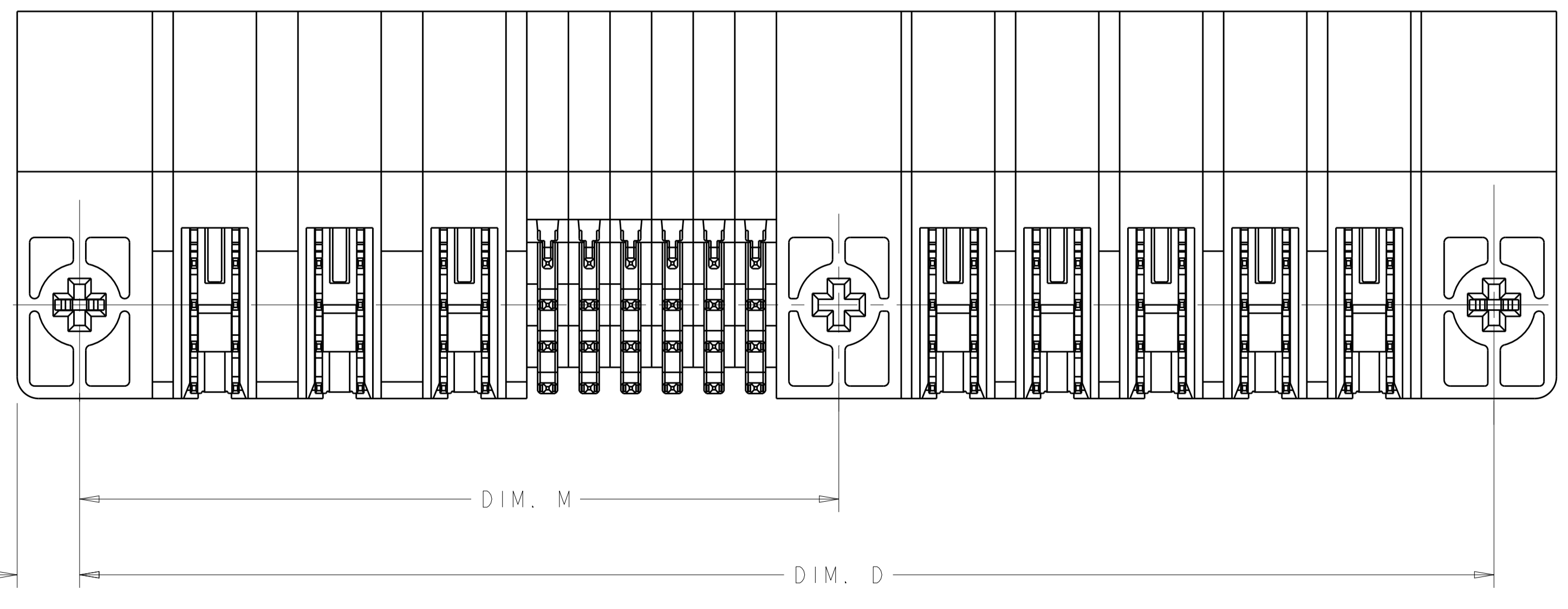
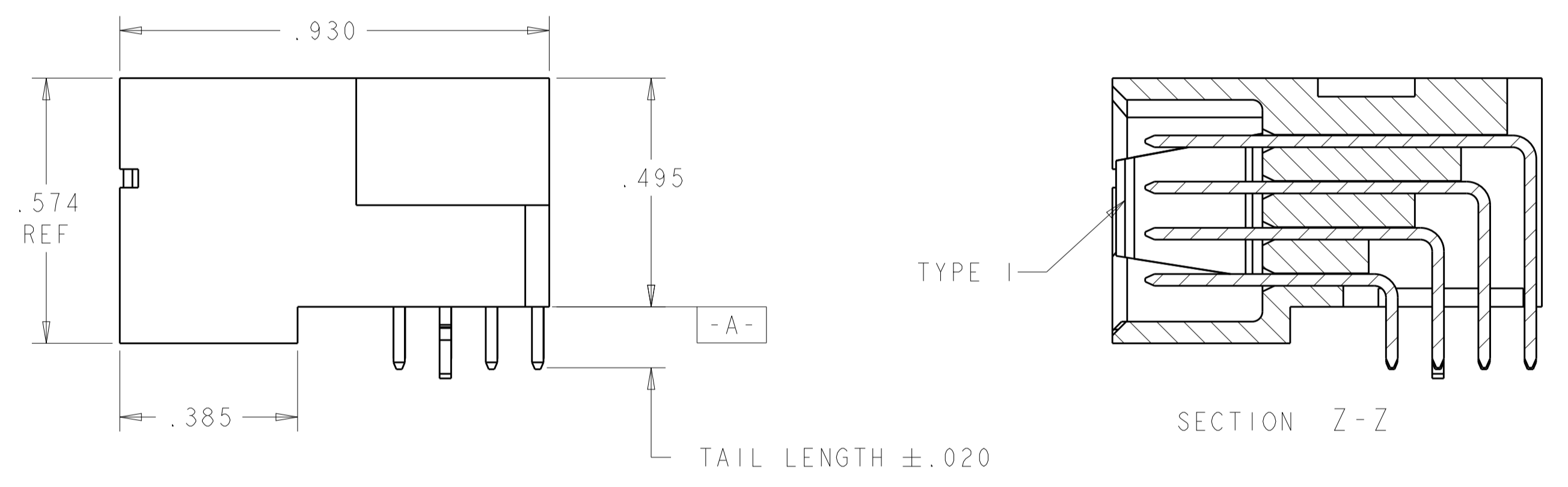
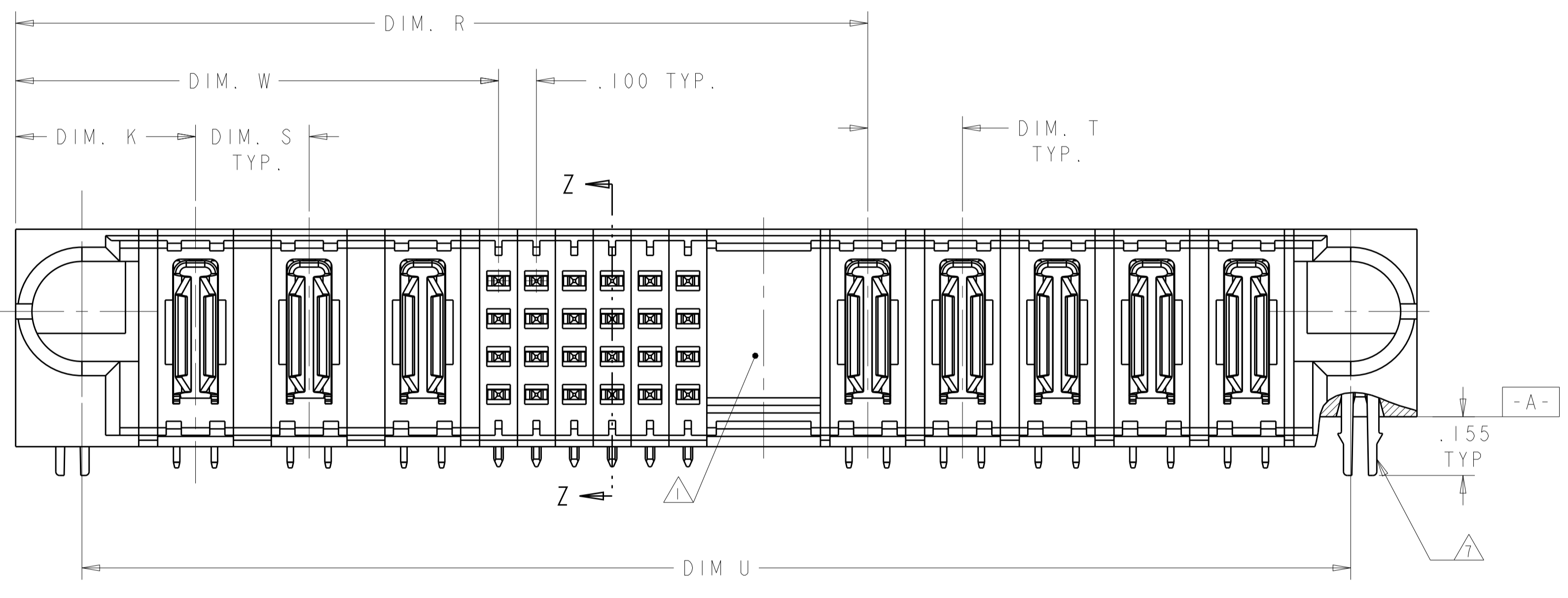


REVISIONS				
P.	LTN	DESCRIPTION	DATE	OWN APVD
F1		ADD NEW DASH NUMBER 2-4	05JAN2014	CZ SZ
F2		ADD NEW DASH NUMBER 2-5	05MAR2015	CZ SZ
F3		ADD NEW DASH NUMBER 2-6	24MAR2015	CZ SZ
F4		ADD NEW DASH NUMBER 2-7	20DEC2017	CZ SZ



- △ OPTIONAL CENTER MODULE WITH Ø.150 THRU HOLE OR HOLD DOWN FEATURE.
- △ "AMP", PART NUMBER, AND DATE CODE TO BE MARKED IN AREA SHOWN. PARTS UNDER 2.00 LONG MAY BE MARKED ON BOTH SIDES.
- △ MATERIAL: HOUSING - GLASS FILLED HIGH TEMP THERMO PLASTIC, UL94 V-0
 SIGNAL CONTACT - COPPER ALLOY
 POWER CONTACT - HIGH CONDUCTIVITY COPPER ALLOY
- △ CONTACT PLATING: NOBLE METAL PLATING ON CONTACT FUNCTIONAL AREA
- △ MECHANICAL CONNECTOR KEEP OUT ZONE.
- △ DATUM AND BASIC DIMENSIONS ESTABLISHED BY CUSTOMER.
- △ HOLD DOWN SEATING DEPTH DIMENSION FOR 1450130-4 IS .185 TYP
- △ PCB - ALL HOLE DIAMETERS ARE FINISHED HOLE SIZES.
- △ PCB - .0453 +/- .0010 DRILLED HOLES PLATES WITH .0003 MIN Sn OVER .001 TO .003 Cu PLATING TO ACHIEVE A .040±.003 DIA HOLE.
- △ VARIABLE DIMENSIONS SHOWN ON VIEW (SHEET 4).




THIS DRAWING IS A CONTROLLED DOCUMENT.		OWN: R. GRZYBOWSKI CHK: M. PERCZERKE	OTMAROS	STE TE Connectivity
DIMENSIONS: INCHES		TOLERANCES UNLESS OTHERWISE SPECIFIED:	NAME: RIGHT ANGLE HEADER ASSEMBLY PRODUCT SPEC: 108-1973 APPLICATION SPEC: 114-13038	
0 PLC ±. 1 PLC ±.01 2 PLC ±.005 3 PLC ±.0020 ANGLES ±.2°		APVD: M. PERCZERKE	SIZE: A1	RESTRICTED TO: -
MATERIAL: 3		FINISH: 4	WEIGHT: -	SCALE: 4:1
CUSTOMER DRAWING		CAGE CODE: C=6600130		SHEET 1 OF 13 REV F5

THIS DRAWING IS UNPUBLISHED. RELEASED FOR PUBLICATION 20
 © COPYRIGHT 20 BY - ALL RIGHTS RESERVED.

REVISIONS				
P.	LTN	DESCRIPTION	DATE	APVD
-	-	SEE SHEET 1	-	-

PWR CON TYPE	DIM U	DIM S	DIM T	DIM R	DIM W	DIM D	DIM M	DIM L	DIM K	DESCRIPTION	PART NUMBER
I	2.850	.300	.200	2.125	1.825	2.900	-	3.200	.450	7HDP + 8S + 3ACP	2-6600130-7
I	1.900	.300	.250	1.550	1.275	1.950	-	2.250	.475	3ACP + 8S + 2P	2-6600130-6
I	1.700	.250	.250	1.350	.875	1.750	-	2.050	.450	2P + 16S + 2P	2-6600130-5
I	1.800	.300	.300	1.375	1.025	1.850	-	2.150	.475	2ACP + 8S + 2ACP	2-6600130-4
I	2.400	.250	.250	1.550	.875	2.450	-	2.750	.450	2P + 24S + 4P	2-6600130-2
I	2.300	.200	.200	1.650	1.225	2.350	-	2.650	.450	4P + 12S + 4P	2-6600130-1
I	2.200	.250	.250	1.350	.875	2.250	-	2.550	.450	2P + 16S + 4P	2-6600130-0
I	2.325	.300	.250	1.975	1.600	2.375	-	2.675	.450	4ACP + 12S + 2P	1-6600130-9
I	2.900	.250	.250	2.050	1.375	2.950	-	3.250	.450	4P + 24S + 4P	1-6600130-8
I	4.400	.250	.250	2.800	2.125	4.450	-	4.750	.450	7P + 24S + 7P	1-6600130-7
I	5.400	.250	.250	3.300	2.625	5.450	-	5.750	.450	9P + 24S + 9P	1-6600130-6
I	2.200	.250	.250	1.350	.875	2.250	-	2.550	.450	2P + 16S + 4P	1-6600130-5
I	2.500	.250	.250	2.150	1.425	2.550	-	2.850	.450	4P + 24S + 2P	1-6600130-4
I	2.800	Δ	.250	2.450	1.975	2.850	-	3.150	.450	6P + 16S + 2P	1-6600130-3
II	3.200	.200	.200	2.125	1.575	3.250	-	3.550	.425	6P + 20S + 6P	1-6600130-1
I	5.450	Δ	Δ	3.075	2.425	5.500	-	5.800	.425	10P + 24S + 12P	6600130-8
I	3.650	.250	.250	2.550	1.875	3.700	-	4.000	.450	6P + 24S + 5P	6600130-6
I	4.350	.250	.250	3.000	2.125	4.400	-	4.700	.450	7P + 32S + 6P	6600130-5
I	5.100	.250	.250	3.250	2.375	5.150	-	5.450	.450	8P + 32S + 8P	6600130-4
I	7.400	.250	.250	5.050	2.875	7.450	-	7.750	.450	10P + 84S + 10P	6600130-3
I	3.300	.300	.250	1.950	1.275	3.350	-	3.650	.475	3ACP + 24S + 6P	6600130-2
I	3.050	.300	.250	1.950	1.275	3.100	-	3.400	.475	3ACP + 24S + 5P	6600130-1

THIS DRAWING IS A CONTROLLED DOCUMENT.		OWN R. GRZYBOWSKI	OTIMAROS	 TE Connectivity
DIMENSIONS: INCHES		CHK M. PERCHERKE	OTIMAROS	
TOLERANCES UNLESS OTHERWISE SPECIFIED: 0 PLC ±. 1 PLC ±. 2 PLC ±.01 3 PLC ±.005 4 PLC ±.0020 ANGLES ±°		APVD M. PERCHERKE	NAME RIGHT ANGLE HEADER ASSEMBLY DUAL BEAM POWER CONTACT MULTI-BEAM XL	RESTRICTED TO A1 - C=6600130
MATERIAL FINISH		PRODUCT SPEC 108-1973	APPLICATION SPEC 114-13038	
CUSTOMER DRAWING		WEIGHT	SCALE 4:1	SHEET 2 OF 13 REV F5

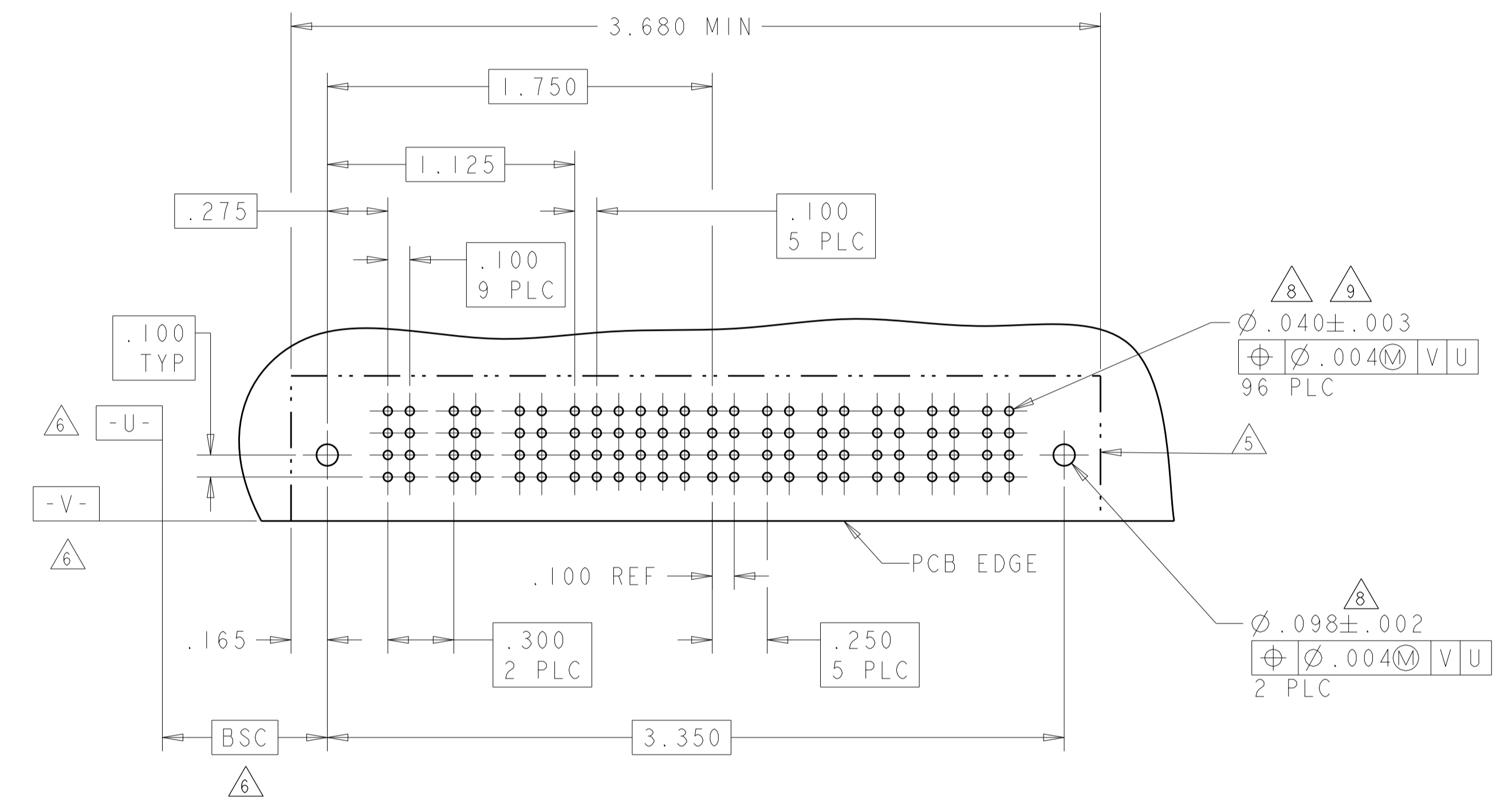
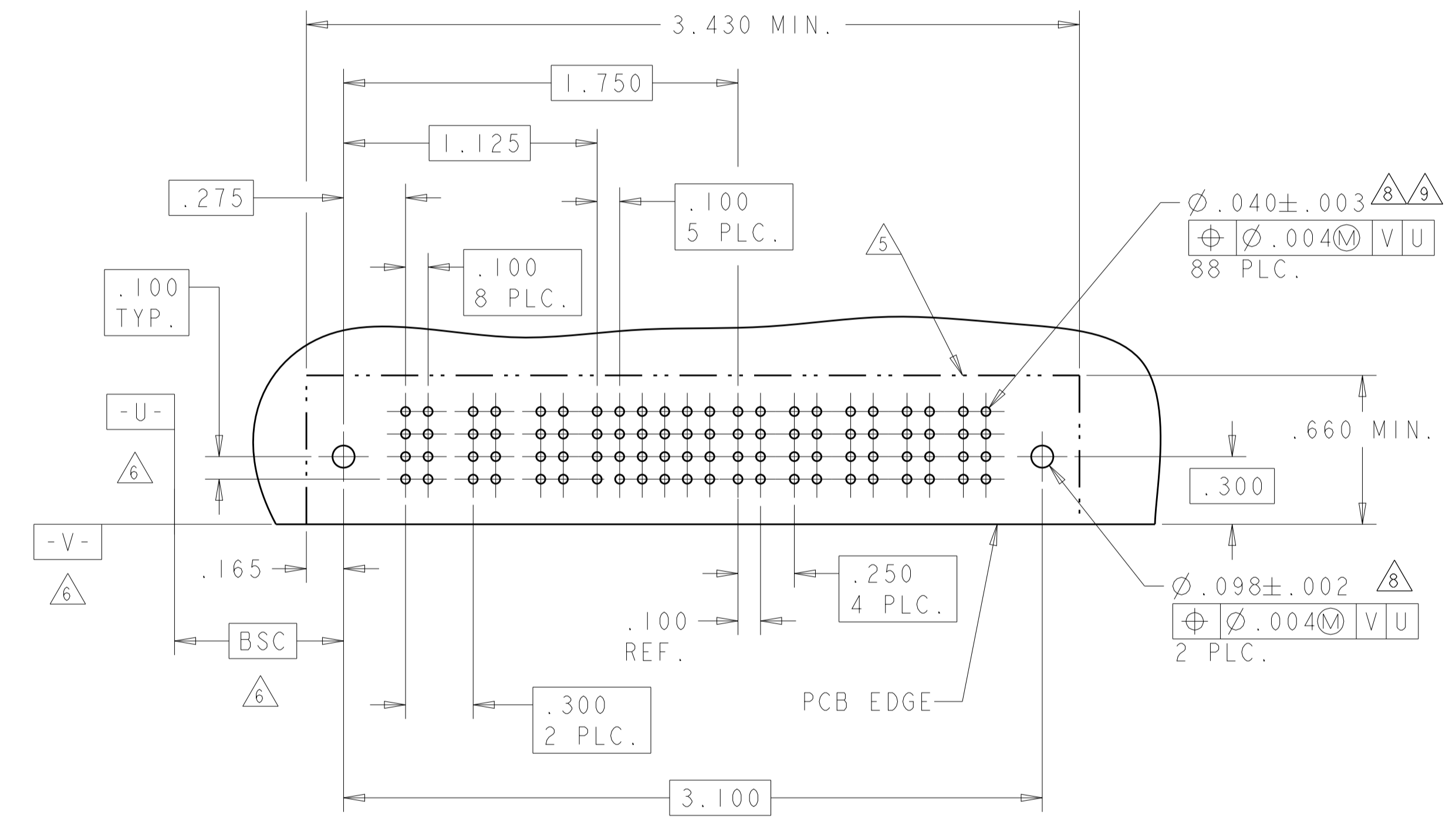
REVISIONS				
P.	LTN.	DESCRIPTION	DATE	APVD.
-	-	SEE SHEET 1	-	-

PART NUMBER	ROWS	POWER			SIGNAL						POWER				
		P1	P2	P3	1	2	3	4	5	6	P4	P5	P6	P7	P8
6600130-1	D C B A	PS	PS	PS	J	J	J	J	E	J	PS	PS	PS	PS	PS
					K	K	F	K	K	K					
					N	N	N	N	N	G					
					S	S	H	S	S	S					

3ACP + 24S + 5P

PART NUMBER	ROWS	POWER			SIGNAL						POWER					
		P1	P2	P3	1	2	3	4	5	6	P4	P5	P6	P7	P8	P9
6600130-2	D C B A	PS	PS	PS	J	J	J	J	J	J	PS	PS	PS	PS	PS	PS
					K	K	K	K	K	K						
					N	N	N	N	N	N						
					H	S	S	S	S	S						

3ACP + 24S + 6P



FN	MFBL	.135	B
E	MLBF	.135	D
F	MLBF	.135	C
G	MLBF	.135	B
H	MLBF	.135	A
J	STD	.135	D
K	STD	.135	C
N	STD	.135	B
S	STD	.135	A
CODE	MATING SEQUENCE	TAIL LENGTH	ROW

SIGNAL CONTACT

TS	.135	DUAL-BEAM(11)
PS	.135	DUAL-BEAM(1)
CODE	TAIL LENGTH	DESCRIPTION
POWER CONTACT		

DIMENSIONS: INCHES		TOLERANCES UNLESS OTHERWISE SPECIFIED:	
0 PLC	±	1 PLC	±.01
2 PLC	±.01	3 PLC	±.005
4 PLC	±.0020	ANGLES	±.0020

MATERIAL: -		FINISH: -	
-------------	--	-----------	--

OWN: R. GRZYBOWSKI	OTIMAROS
CHK: M. PERCHERKE	OTIMAROS
APVD: M. PERCHERKE	-
PRODUCT SPEC: 108-1973	APPLICATION SPEC: 114-13038
SIZE: A1	CAGE CODE: -
WEIGHT: -	DRAWING NO: -
CUSTOMER DRAWING	

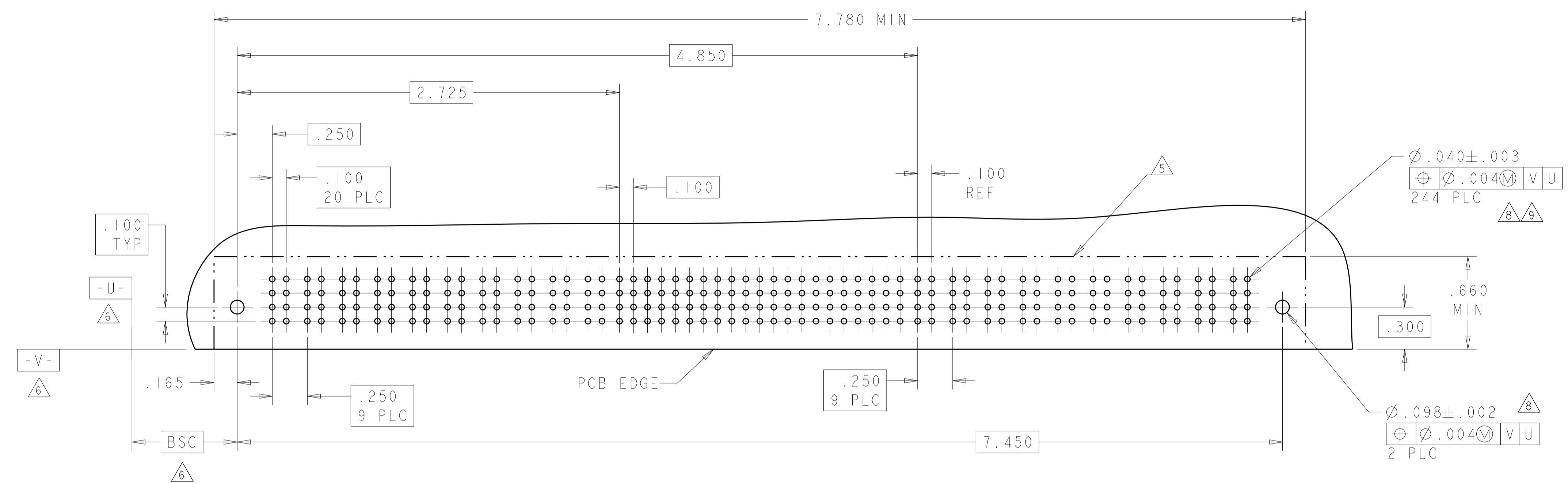
STE TE Connectivity

NAME: RIGHT ANGLE HEADER ASSEMBLY
DUAL BEAM POWER CONTACT
MULTI-BEAM XL

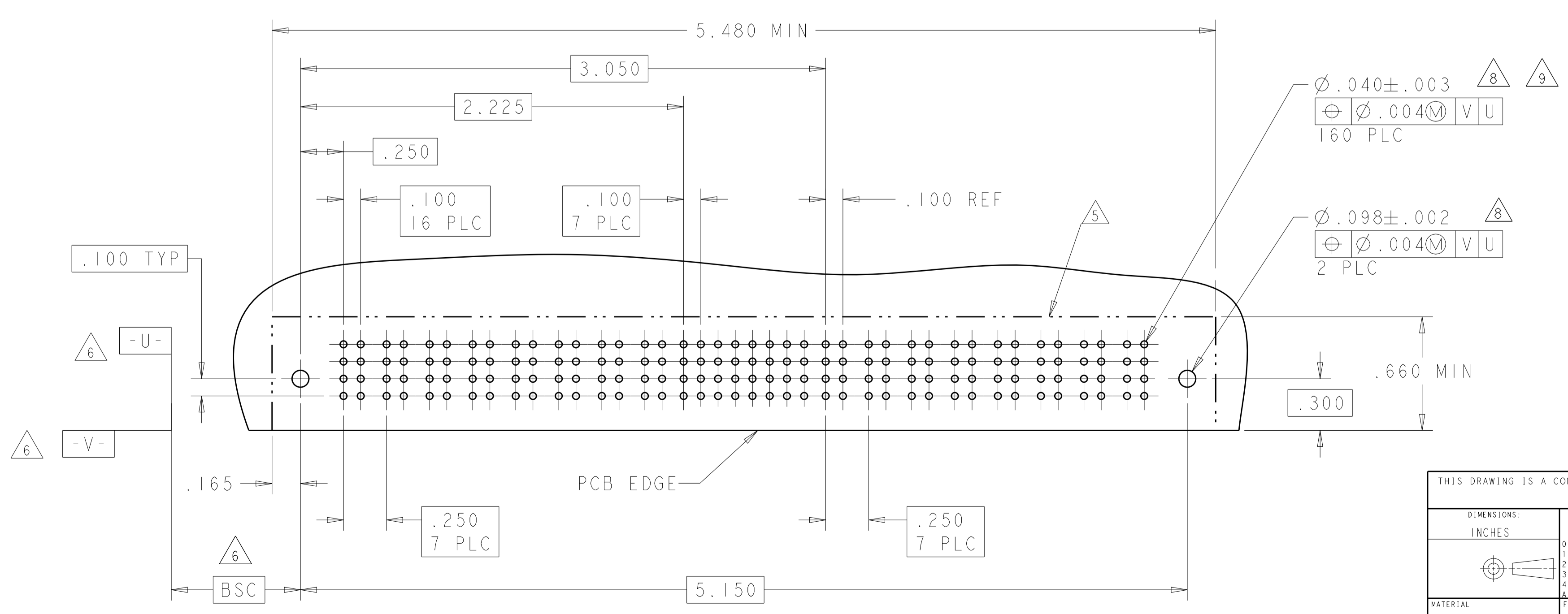
SCALE: 4:1 SHEET 3 OF 13 REV: F5

REVISIONS				
P.	LTH	DESCRIPTION	DATE	APVD
-	-	SEE SHEET 1	-	-

PART NUMBER	ROWS	POWER									SIGNAL											POWER																																																	
		P1	P2	P3	P4	P5	P6	P7	P8	P9	P10	1	2	3	4	5	6	7	8	9	10	11	12	13	14	15	16	17	18	19		20	21	P11	P12	P13	P14	P15	P16	P17	P18	P19	P20																												
6600130-3	D C B A	PS	PS	PS	PS	PS	PS	PS	PS	PS	J	J	J	J	J	J	J	J	J	J	J	J	J	J	J	J	J	J	J	J	J	J	J	J	J	J	J	J	J	J	J	J	J	J	PS	PS	PS	PS	PS	PS	PS	PS	PS	PS	PS	PS	PS	PS	PS	PS	PS	PS	PS	PS	PS						
											N	N	N	N	N	N	N	N	N	N	N	N	N	N	N	N	N	N	N	N	N	N	N	N	N	N	N	N	N	N	N	N	N	N																						N	N	N	N	N	N
											S	S	S	S	S	S	S	S	S	S	S	S	S	S	S	S	S	S	S	S	S	S	S	S	S	S	S	S	S	S	S	S	S	S																						S	S	S	S	S	S
10P + 84S + 10P																																																																							



PART NUMBER	ROWS	POWER								SIGNAL								POWER										
		P1	P2	P3	P4	P5	P6	P7	P8	1	2	3	4	5	6	7	8	P9	P10	P11	P12	P13	P14	P15	P16			
6600130-4	D C B A	PS	PS	PS	PS	PS	PS	PS	J	J	J	J	J	J	J	J	PS	PS	PS	PS	PS	PS	PS	PS	PS	PS	PS	PS
									N	N	N	N	N	N	N	N												
									S	S	S	S	S	S	S	S												
8P + 32S + 8P																												

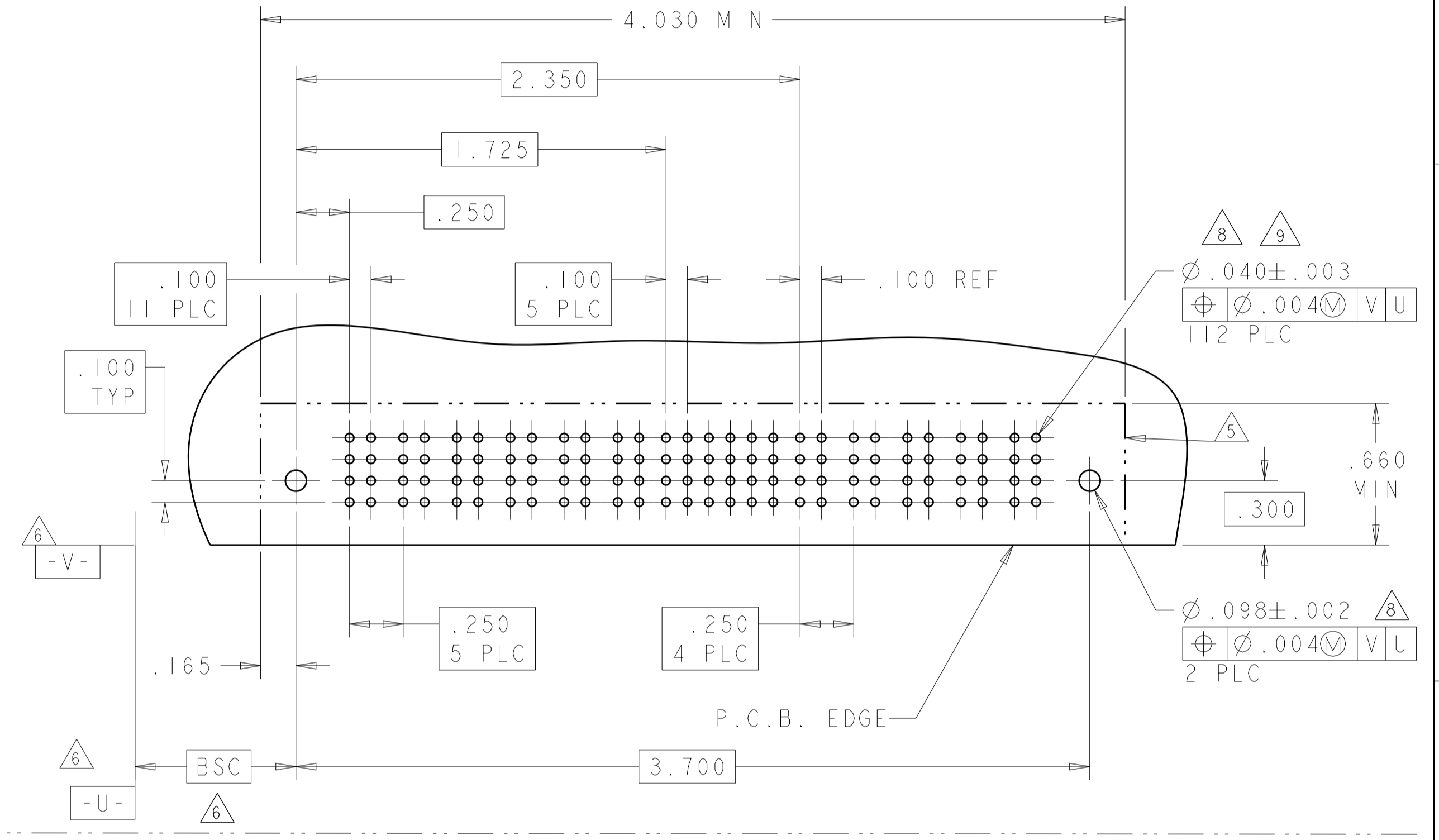
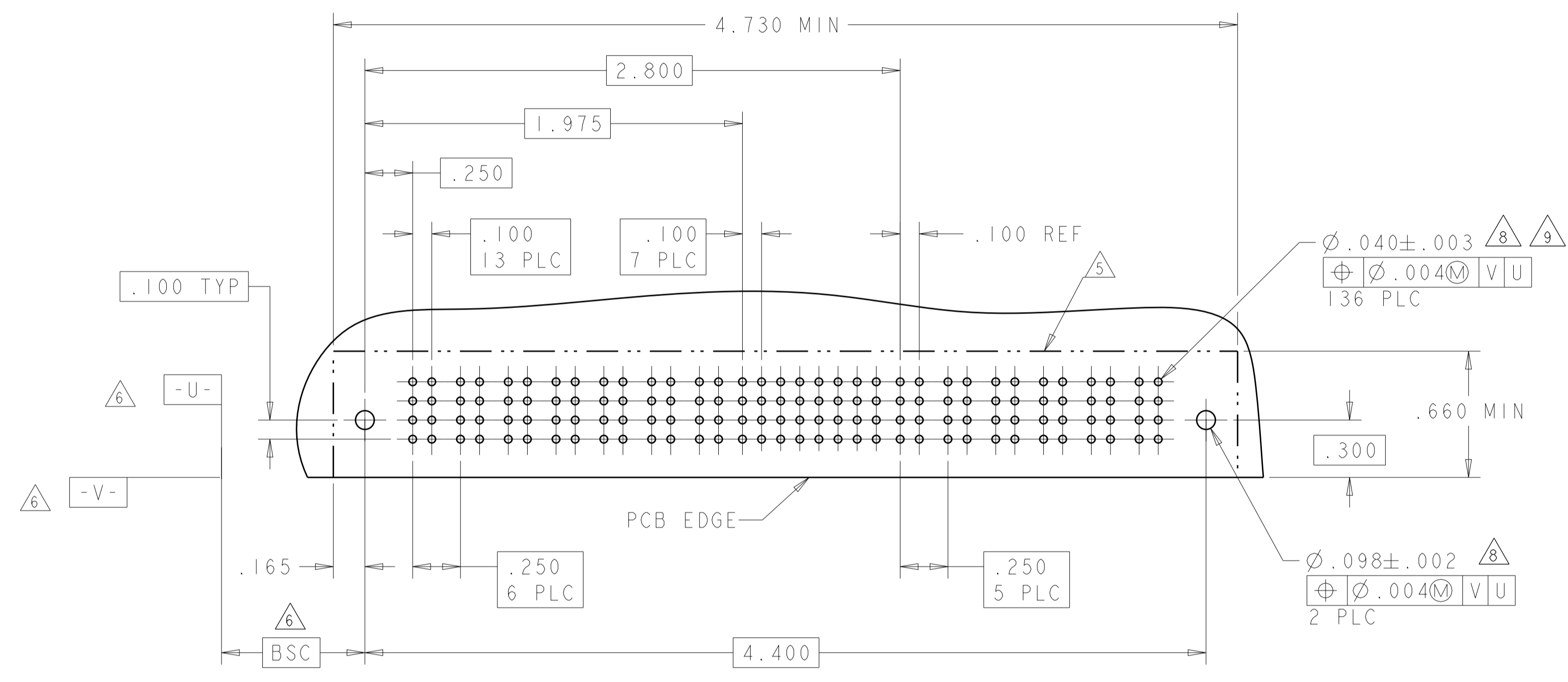


THIS DRAWING IS A CONTROLLED DOCUMENT.		DWN: B. GRZYBOWSKI CHK: M. PERCHERKE APVD: [Signature]	DIMAROS DIMAROS NAME: RIGHT ANGLE HEADER ASSEMBLY DUAL BEAM POWER CONTACT MULTI-BEAM XL	TE Connectivity
DIMENSIONS: INCHES 	TOLERANCES UNLESS OTHERWISE SPECIFIED: 0 PLC ± .01 1 PLC ± .01 2 PLC ± .01 3 PLC ± .005 4 PLC ± .002 ANGLES ± .2°	PRODUCT SPEC: 108-1973 APPLICATION SPEC: 114-13038 WEIGHT: -	SIZE: A1 CAGE CODE: - DRAWING NO: C=6600130	RESTRICTED TO: - SCALE: 4:1 SHEET: 4 OF 13 REV: F5
MATERIAL:	FINISH:	WEIGHT:	CUSTOMER DRAWING	

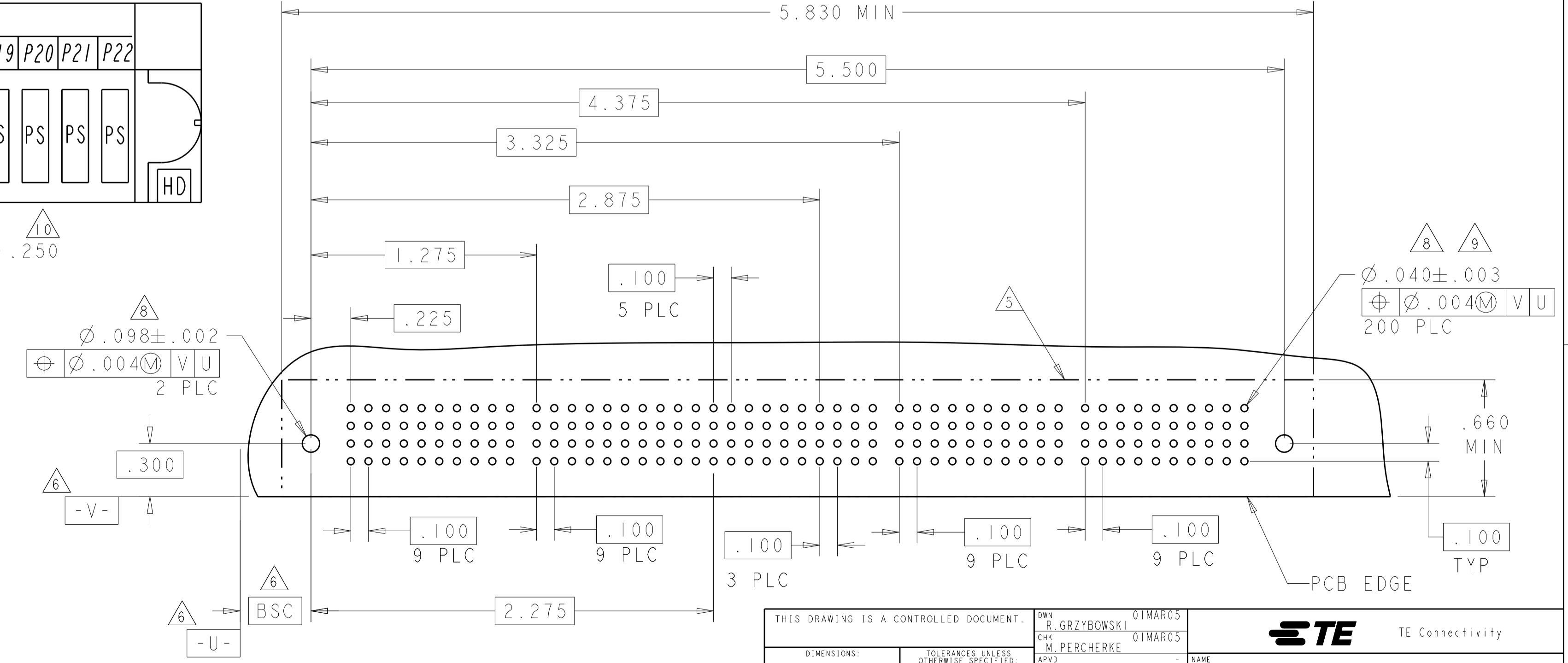
REVISIONS				
P. LTH	DESCRIPTION	DATE	OWN	APVD
-	SEE SHEET 1	-	-	-

PART NUMBER	ROWS	POWER							SIGNAL								POWER				
		P1	P2	P3	P4	P5	P6	P7	1	2	3	4	5	6	7	8	P8	P9	P10	P11	P12
6600130-5	D C B A	PS	PS	PS	PS	PS	PS	J	J	J	J	E	J	J	J	PS	PS	PS	PS	PS	PS
								K	K	F	K	K	K	K							
								N	N	N	N	N	G	N	N						
7P + 32S + 6P		HD		HD																	

PART NUMBER	ROWS	POWER						SIGNAL						POWER				
		P1	P2	P3	P4	P5	P6	1	2	3	4	5	6	P7	P8	P9	P10	P11
6600130-6	D C B A	PS	PS	PS	PS	PS	J	J	J	J	E	J	PS	PS	PS	PS	PS	
							K	K	F	K	K	K						
							N	N	N	N	N	G						
6P + 24S + 5P		HD		HD														



PART NUMBER	ROWS	POWER										SIGNAL						POWER									
		P1	P2	P3	P4	P5	P6	P7	P8	P9	P10	1	2	3	4	5	6	P11	P12	P13	P14	P15	P16	P17	P18	P19	P20
6600130-8	D C B A	PS	PS	PS	PS	PS	PS	PS	PS	PS	J	J	J	J	J	J	PS	PS	PS	PS	PS	PS	PS	PS	PS	PS	PS
											K	K	K	K	K	K											
											N	N	N	N	N	N											
10P + 24S + 12P		HD		HD																							



THIS DRAWING IS A CONTROLLED DOCUMENT.

DIMENSIONS: INCHES 	TOLERANCES UNLESS OTHERWISE SPECIFIED: 0 PLC ±. 1 PLC ±.01 2 PLC ±.01 3 PLC ±.005 4 PLC ±.002 ANGLES ±.0020 FINISH	OWN: R. GRZYBOWSKI CHK: M. PERCHERKE APVD: M. PERCHERKE PRODUCT SPEC: 108-1973 APPLICATION SPEC: 114-13038 WEIGHT: - CUSTOMER DRAWING	DTIMAROS DTIMAROS NAME: RIGHT ANGLE HEADER ASSEMBLY DUAL BEAM POWER CONTACT MULTI-BEAM XL SIZE: A1 CAGE CODE: 6600130 SCALE: 4:1 SHEET: 5 OF 13 REV: F5
---------------------------	---	---	--

REVISIONS					
P.	LTN.	DESCRIPTION	DATE	DMN.	APVD.
-	-	SEE SHEET 1	-	-	-

PART NUMBER	ROWS	POWER						SIGNAL					POWER					
		P1	P2	P3	P4	P5	P6	1	2	3	4	5	P7	P8	P9	P10	P11	P12
I-6600130-1	D C B A	TS	TS	TS	TS	TS	TS	E	J	J	J	J	TS	TS	TS	TS	TS	TS
								F	K	K	K	K						
								G	N	N	N	N						
								H	S	S	S	H						

6P + 20S + 6P

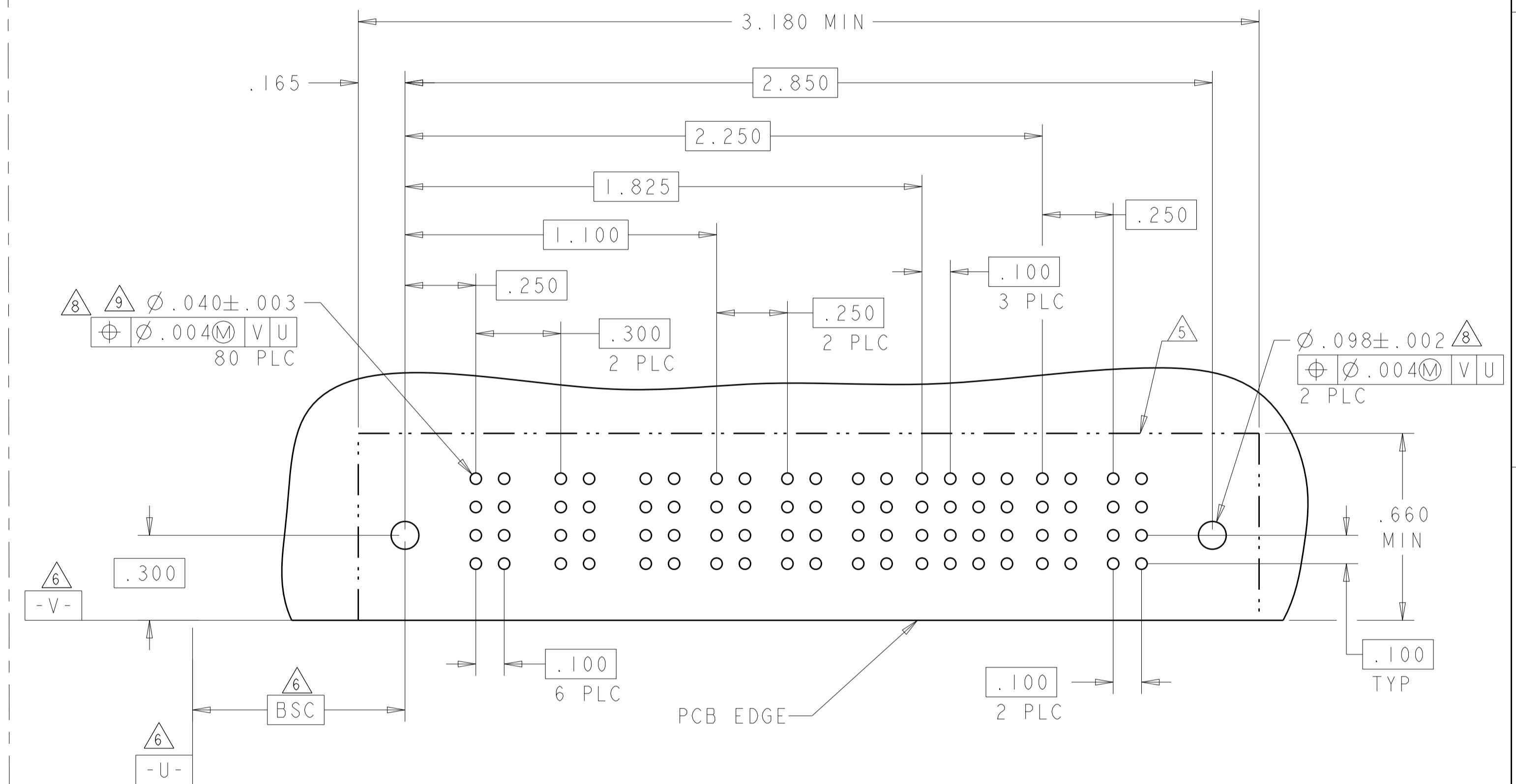
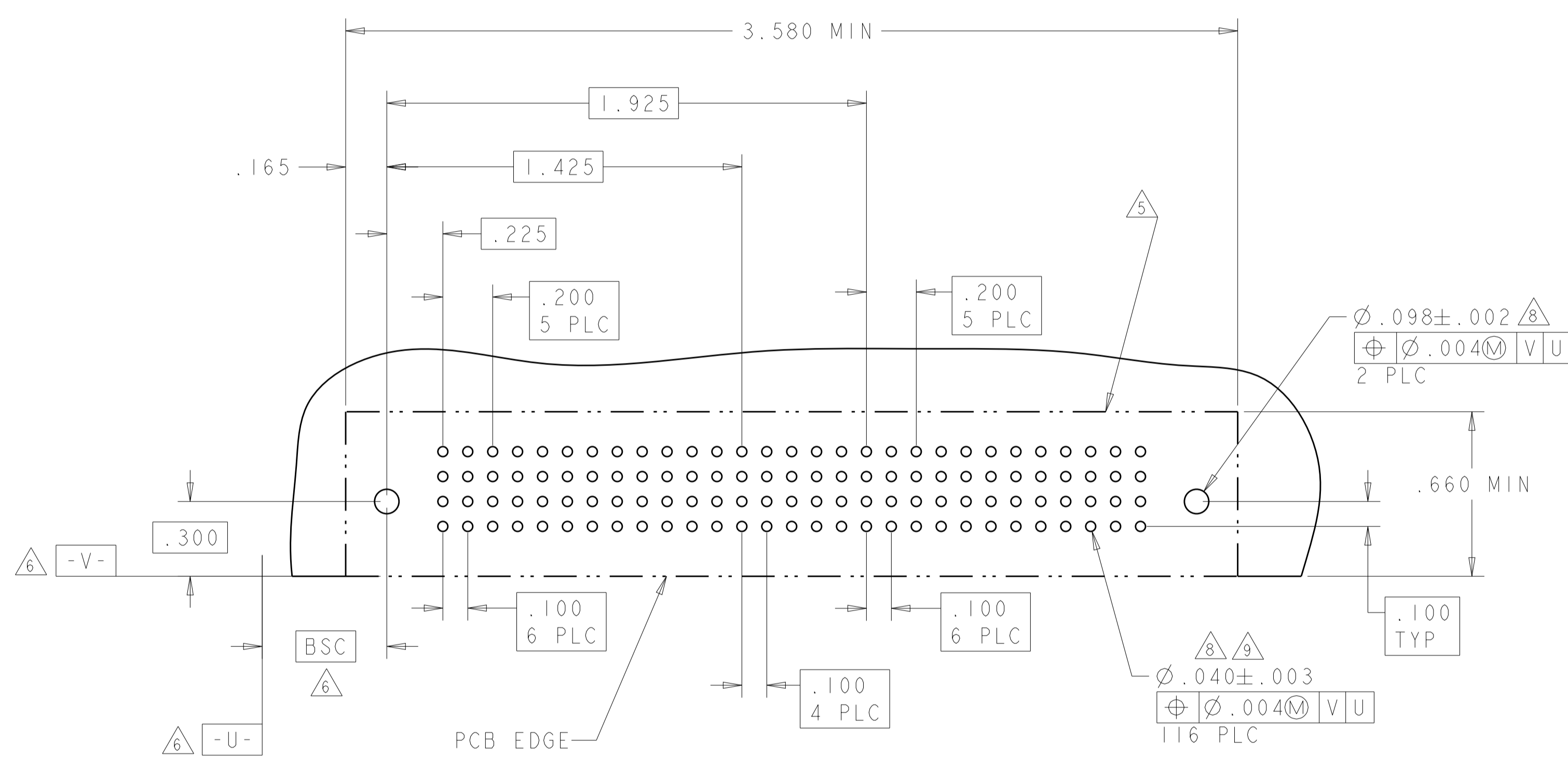
PART NUMBER	ROWS	POWER						SIGNAL				POWER	
		P1	P2	P3	P4	P5	P6	1	2	3	4	P7	P8
I-6600130-3	D C B A	PS	PS	PS	PS	PS	PS	E	E	E	E	PS	PS
								F	F	F	F		
								N	N	N	N		
								H	H	H	H		

6P + 16S + 2P

.250
3 PLC

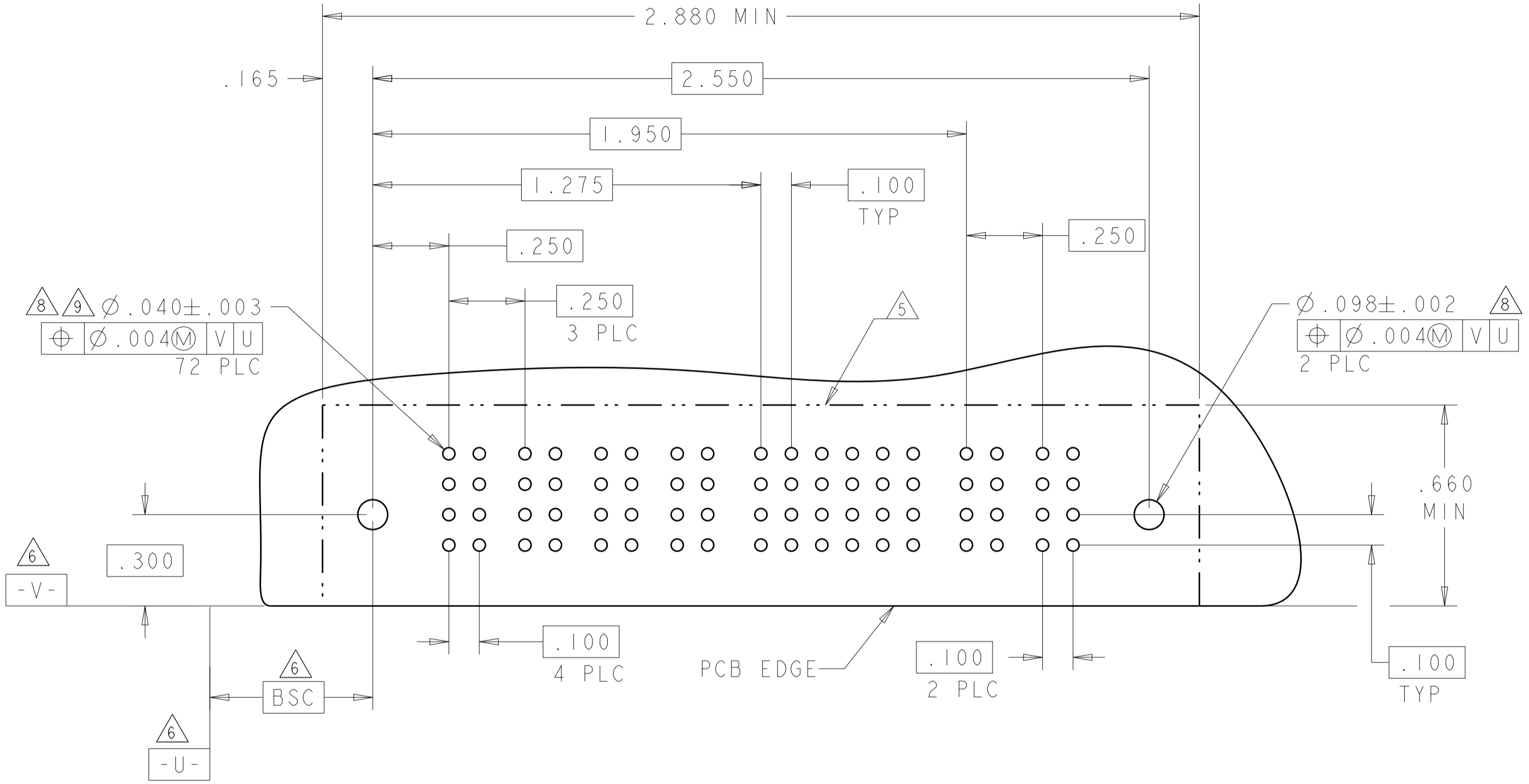
.300

.300



THIS DRAWING IS A CONTROLLED DOCUMENT.		DMN: R. GRZYBOWSKI CHK: M. PERCHERKE APVD: M. PERCHERKE	OTIMAROS	TE Connectivity NAME: RIGHT ANGLE HEADER ASSEMBLY PRODUCT SPEC: DUAL BEAM POWER CONTACT APPLICATION SPEC: MULTI-BEAM XL
DIMENSIONS: INCHES	TOLERANCES UNLESS OTHERWISE SPECIFIED:	0 PLC ±.01 1 PLC ±.01 2 PLC ±.01 3 PLC ±.005 4 PLC ±.002	108-1973	
MATERIAL: -	FINISH: -	WEIGHT: -	114-13038	SIZE: A1 CAGE CODE: - DRAWING NO: C=6600130
		CUSTOMER DRAWING		RESTRICTED TO: -
		SCALE: 4:1		SHEET: 6 OF 13
				REV: F5

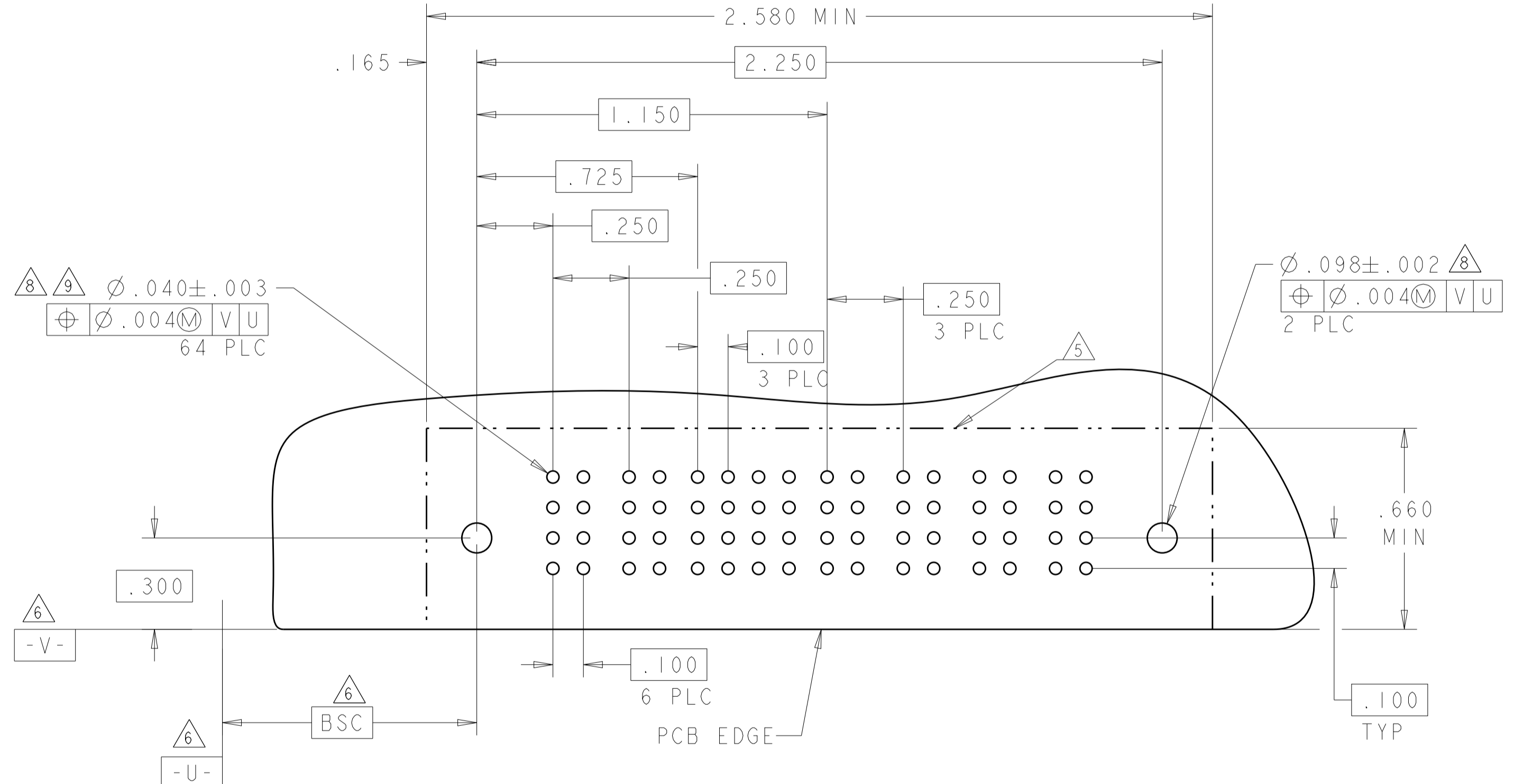
PART NUMBER	ROWS	POWER				SIGNAL						POWER	
		P1	P2	P3	P4	1	2	3	4	5	6	P5	P6
1-6600130-4	D C B A	PS	PS	PS	PS	J	J	J	J	J	J	PS	PS
						K	K	K	K	K	K		
						N	N	N	N	N	N		
4P + 24S + 2P						S	S	S	S	S	S		



REVISIONS				
P. LTM	DESCRIPTION	DATE	OWN	APVD
-	SEE SHEET 1	-	-	-

PART NUMBER	ROWS	POWER		SIGNAL				POWER			
		P1	P2	1	2	3	4	P5	P6	P5	P6
1-6600130-5	D C B A	PS	PS	J	J	J	J	PS	PS	PS	PS
				K	K	K	K				
				N	N	N	N				
2P + 24S + 4P				S	S	S	S				

PART NUMBER	ROWS	POWER		SIGNAL				POWER			
		P1	P2	1	2	3	4	P5	P6	P5	P6
2-6600130-0	D C B A	PS	PS	J	J	J	J	PS	PS	PS	PS
				K	K	K	K				
				N	N	N	N				
2P + 16S + 4P				S	S	S	S				

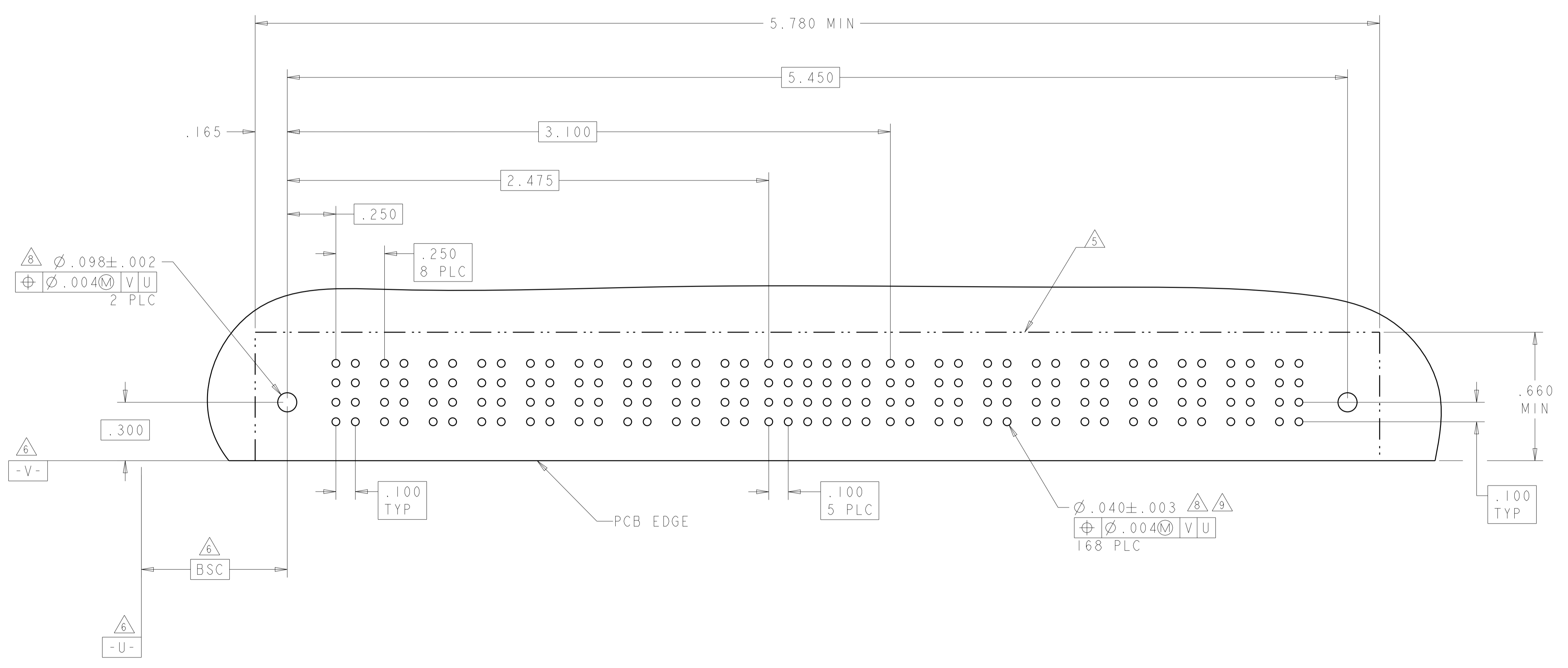


1-6600130-5 AND 2-66600130-0 PCB LAYOUT

THIS DRAWING IS A CONTROLLED DOCUMENT.		OWN: R. GRZYBOWSKI CHK: M. PERCHERKE APVD: M. PERCHERKE	OTIMAROS OTIMAROS	 TE Connectivity
DIMENSIONS: INCHES	TOLERANCES UNLESS OTHERWISE SPECIFIED:	NAME: RIGHT ANGLE HEADER ASSEMBLY PRODUCT SPEC: 108-1973 APPLICATION SPEC: 114-13038 WEIGHT: - CUSTOMER DRAWING		
0 PLC ± 1 PLC ±.01 2 PLC ±.01 3 PLC ±.005 4 PLC ±.0020 ANGLES ±.020	FINISH: -	SIZE: A1 CAGE CODE: - DRAWING NO: C=6600130		RESTRICTED TO: -
MATERIAL: -		SCALE: 4:1		SHEET 7 OF 13 REV F5

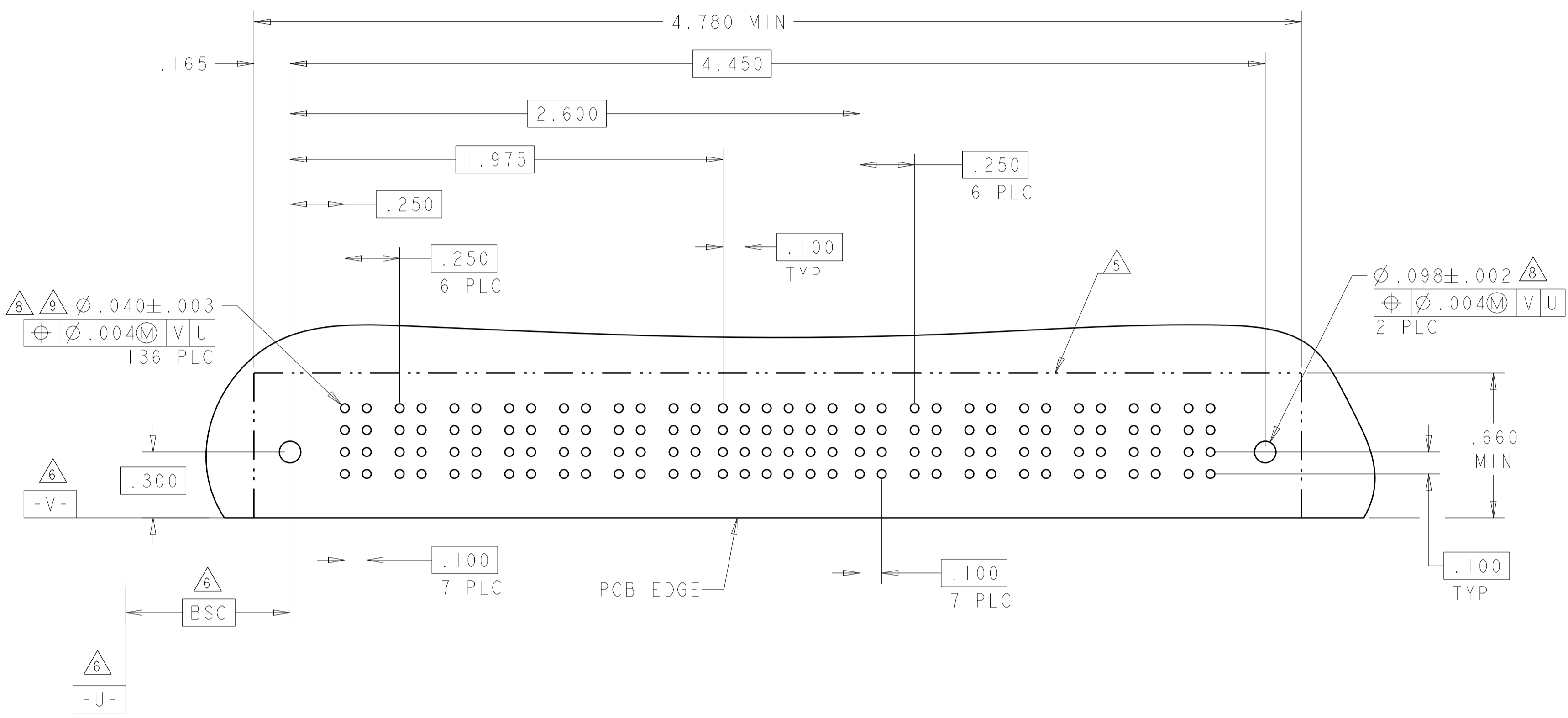
REVISIONS				
P.	LTN.	DESCRIPTION	DATE	APVD.
-	-	SEE SHEET 1	-	-

PART NUMBER	ROWS	POWER									SIGNAL						POWER								
		P1	P2	P3	P4	P5	P6	P7	P8	P9	1	2	3	4	5	6	P10	P11	P12	P13	P14	P15	P16	P17	P18
1-6600130-6	D	PS	PS	PS	PS	PS	PS	PS	PS	PS	J	J	J	J	J	J	PS	PS	PS	PS	PS	PS	PS	PS	PS
	K										K	K	K	K	K										
	N										N	N	N	N	N										
A	HD	PS	PS	PS	PS	PS	PS	PS	PS	S	S	S	S	S	S	PS	PS	PS	PS	PS	PS	PS	PS	PS	
9P + 24S + 9P																									

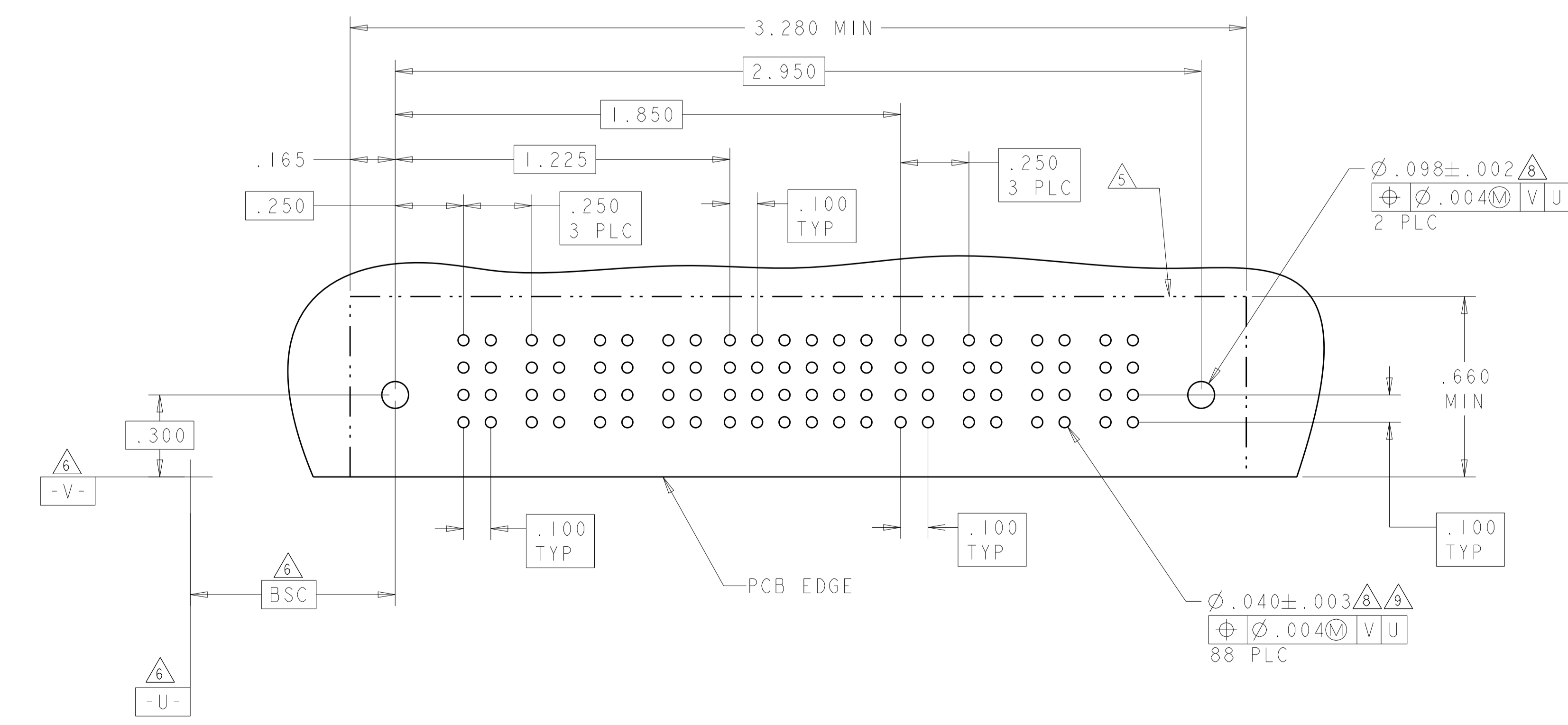


THIS DRAWING IS A CONTROLLED DOCUMENT.		DWN: B. GRZYBOWSKI CHK: M. PERCHERKE APVD: M. PERCHERKE	DIMAROS DIMAROS DIMAROS	TE Connectivity
DIMENSIONS: INCHES	TOLERANCES UNLESS OTHERWISE SPECIFIED: 0 PLC ±. 1 PLC ±.01 2 PLC ±.01 3 PLC ±.005 4 PLC ±.0020 ANGLES ±.7°	NAME: RIGHT ANGLE HEADER ASSEMBLY DUAL BEAM POWER CONTACT MULTI-BEAM XL	PRODUCT SPEC: 108-1973 APPLICATION SPEC: 114-13038	
MATERIAL:	FINISH:	WEIGHT:	CUSTOMER DRAWING	SCALE: 4:1 SHEET: 8 OF 13 REV: F5

REVISIONS				
P.	LTN.	DESCRIPTION	DATE	APVD.
-	-	SEE SHEET 1	-	-



PART NUMBER	ROWS	POWER							SIGNAL						POWER							
		P1	P2	P3	P4	P5	P6	P7	1	2	3	4	5	6	P8	P9	P10	P11	P12	P13	P14	
1-6600130-7	D C B A	PS	PS	PS	PS	PS	PS	PS	J	J	J	J	J	J	PS	PS	PS	PS	PS	PS	PS	
		PS	PS	PS	PS	PS	PS	PS	K	K	K	K	K	K	PS	PS	PS	PS	PS	PS	PS	
		PS	PS	PS	PS	PS	PS	PS	N	N	N	N	N	N	PS	PS	PS	PS	PS	PS	PS	
		PS	PS	PS	PS	PS	PS	PS	S	S	S	S	S	S	PS	PS	PS	PS	PS	PS	PS	
7P + 24S + 7P																						



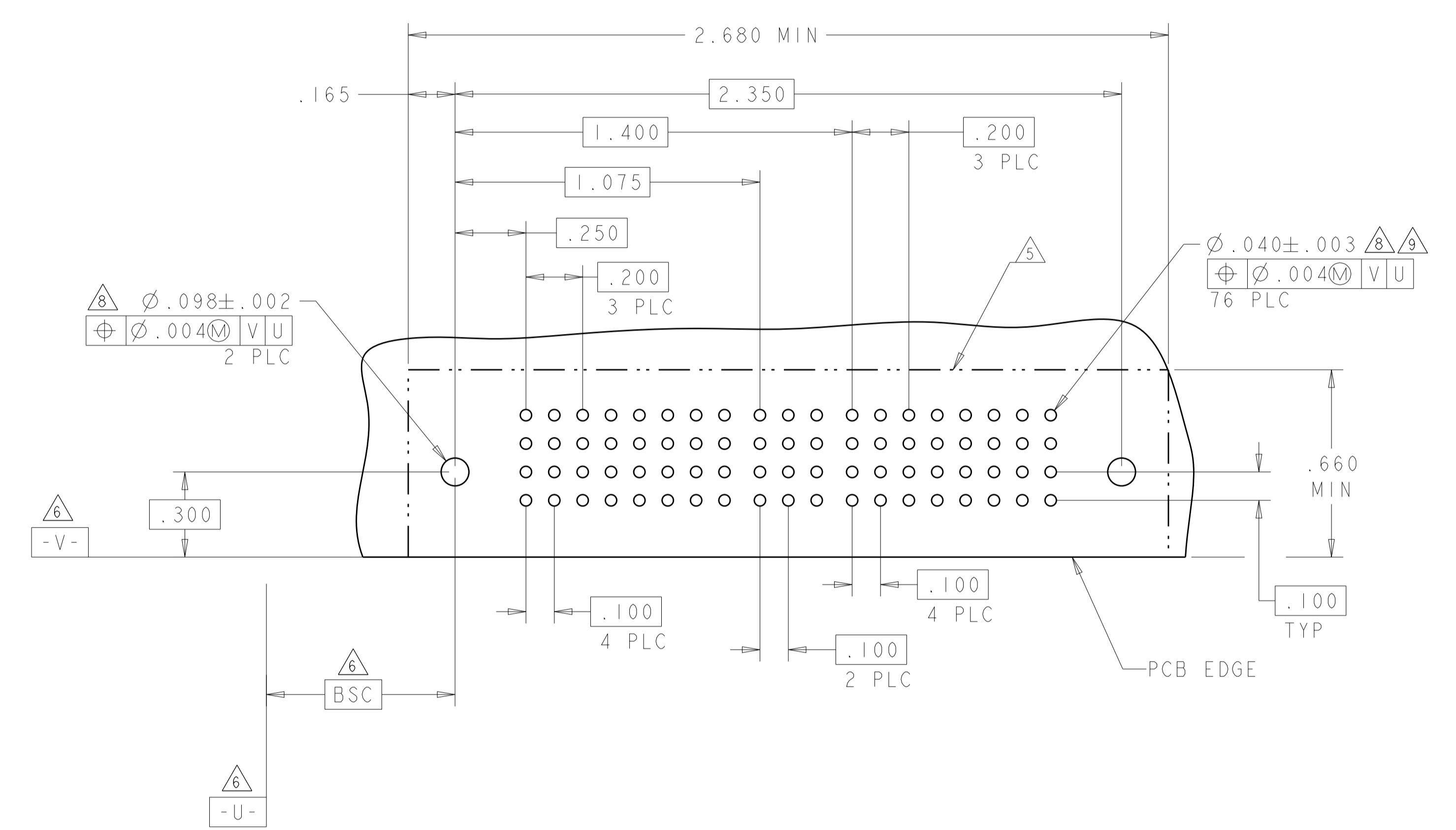
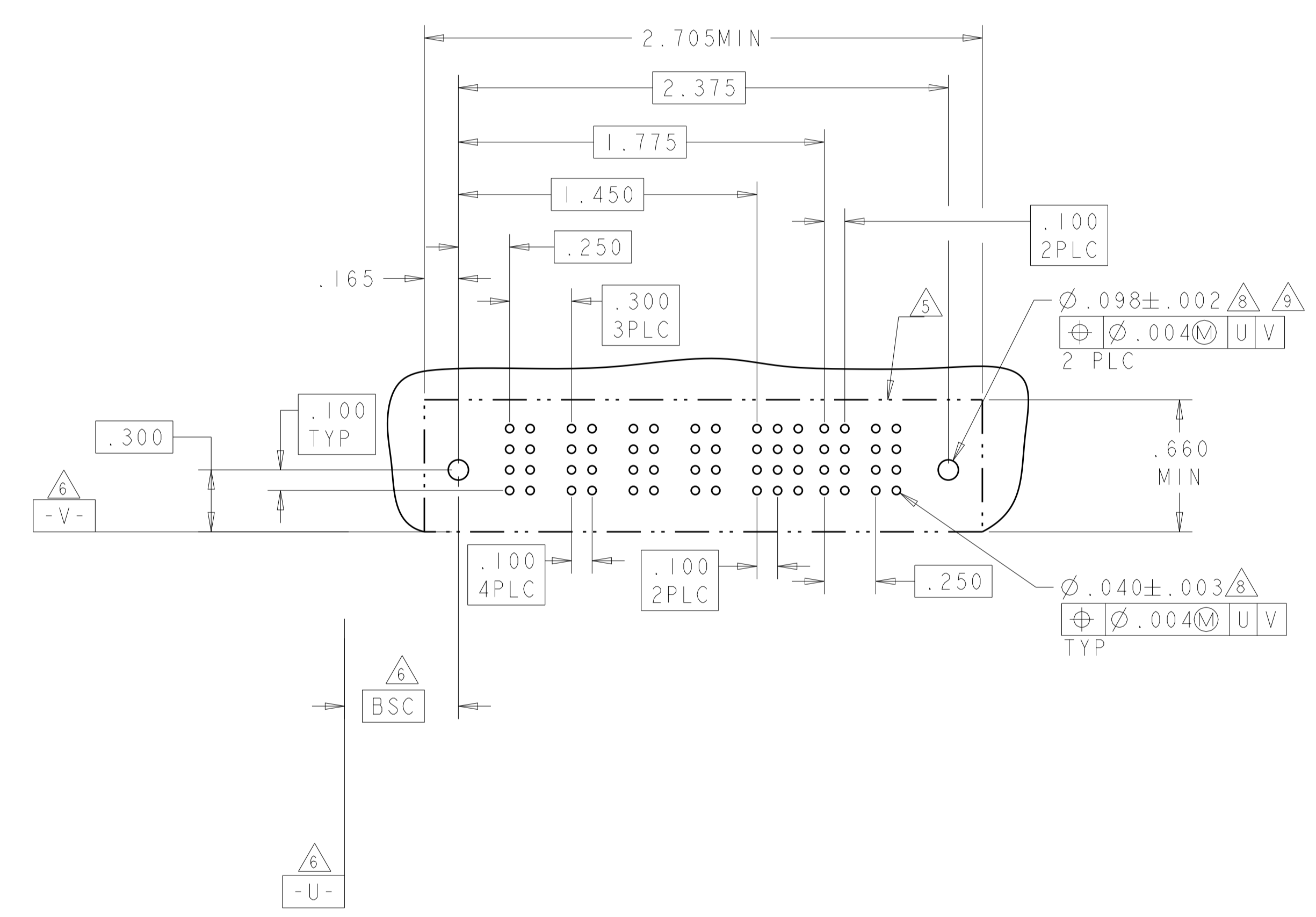
PART NUMBER	ROWS	POWER				SIGNAL						POWER			
		P1	P2	P3	P4	1	2	3	4	5	6	P5	P6	P7	P8
1-6600130-8	D C B A	PS	PS	PS	PS	J	J	J	J	J	J	PS	PS	PS	PS
		PS	PS	PS	PS	K	K	K	K	K	K	PS	PS	PS	PS
		PS	PS	PS	PS	N	N	N	N	N	N	PS	PS	PS	PS
		PS	PS	PS	PS	S	S	S	S	S	S	PS	PS	PS	PS
4P + 24S + 4P															

THIS DRAWING IS A CONTROLLED DOCUMENT.		DWN: R. GRZYBOWSKI CHK: M. PERCHERKE APVD: M. PERCHERKE	DIMENSIONS: INCHES TOLERANCES UNLESS OTHERWISE SPECIFIED: 0 PLC ±. 2 PLC ±.01 3 PLC ±.005 4 PLC ±.0020 ANGLES ±.2° FINISH:	NAME: RIGHT ANGLE HEADER ASSEMBLY PRODUCT SPEC: 108-1973 APPLICATION SPEC: 114-13038 WEIGHT:	SIZE: A1 CAGE CODE: 6600130 DRAWING NO: 114-13038	RESTRICTED TO:
MATERIAL: -		CUSTOMER DRAWING		SCALE: 4:1 SHEET 9 OF 13 REV: F5		DATE: - DWN: - APVD: -

REVISIONS				
P.	LTN.	DESCRIPTION	DATE	APP'D.
-	-	SEE SHEET 1	-	-

PART NUMBER	ROWS	POWER				SIGNAL			POWER	
		P1	P2	P3	P4	1	2	3	P5	P6
1-6600130-9	D	PS	PS	PS	PS	E	E	E	PS	PS
	C					F	F	F		
	B					N	N	N		
	A					H	H	H		
4ACP + 12S + 2P										

PART NUMBER	ROWS	POWER				SIGNAL			POWER			
		P1	P2	P3	P4	1	2	3	P5	P6	P7	P8
2-6600130-1	D	PS	PS	PS	PS	J	J	J	PS	PS	PS	PS
	C					K	F	K				
	B					N	N	N				
	A					S	S	S				
4P + 12S + 4P												



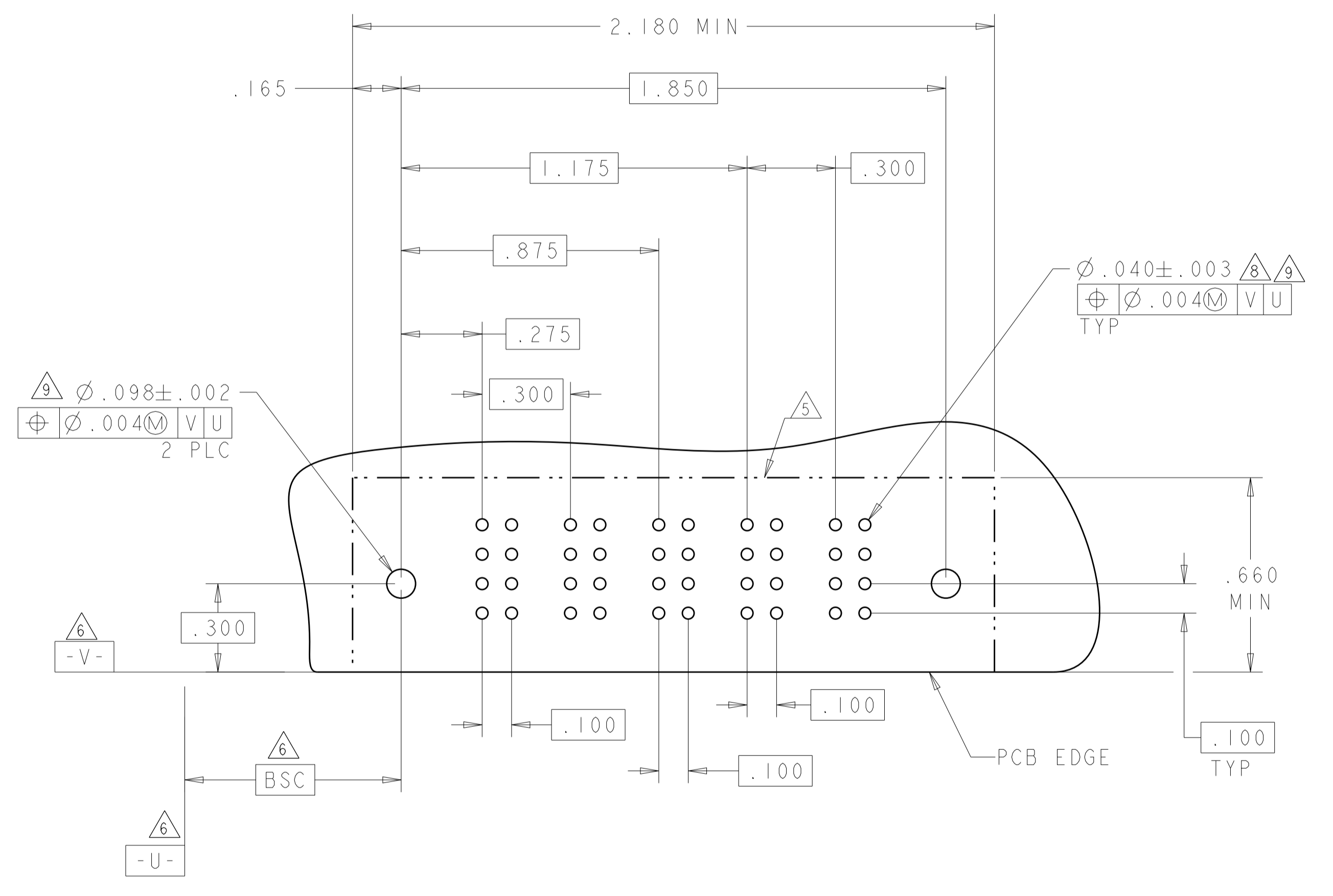
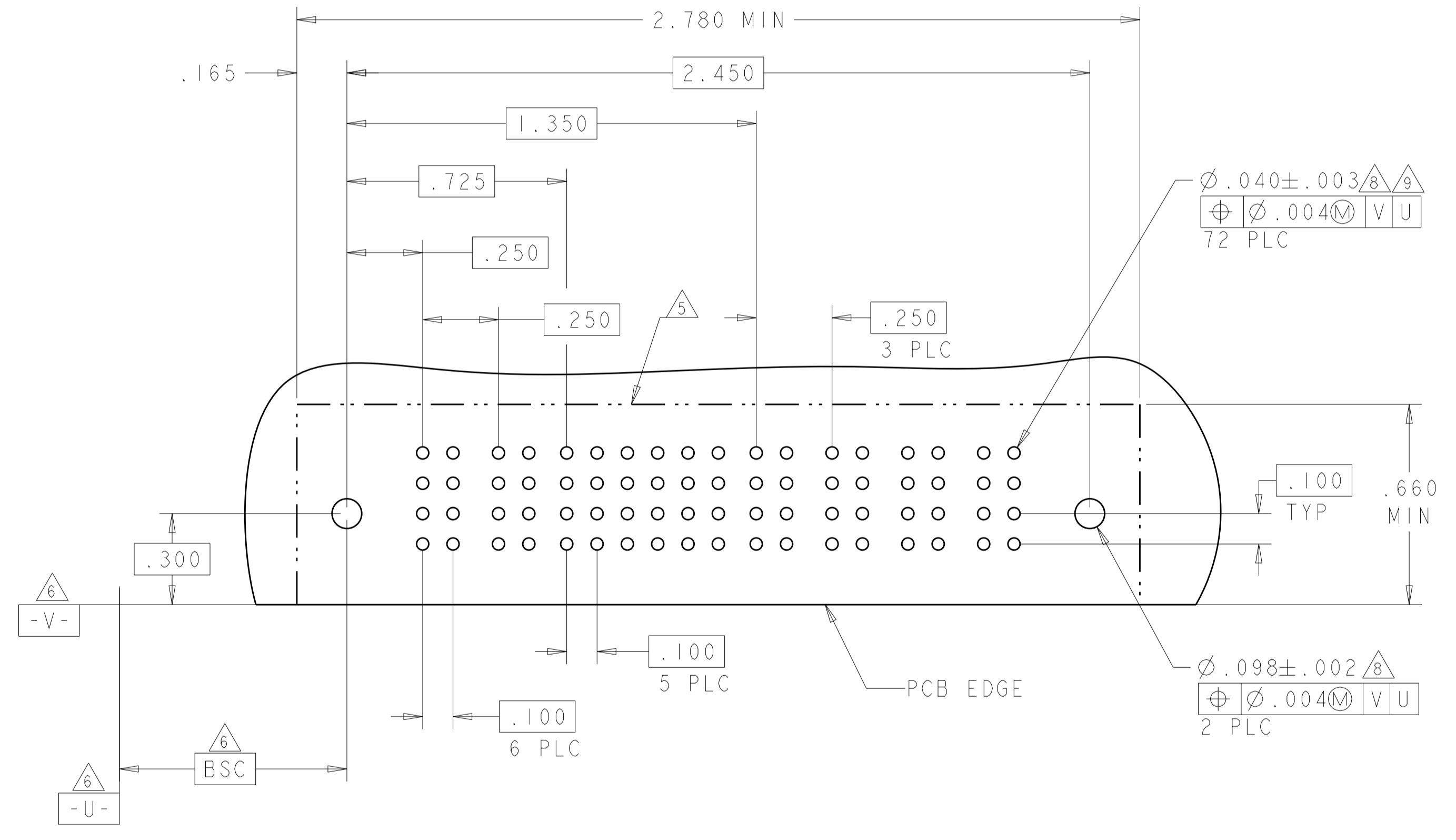
THIS DRAWING IS A CONTROLLED DOCUMENT.

DWN: B. GRZYBOWSKI	OTIMAROS	STE TE Connectivity
CHK: M. PERCHERKE	OTIMAROS	
DIMENSIONS: INCHES		NAME: RIGHT ANGLE HEADER ASSEMBLY
TOLERANCES UNLESS OTHERWISE SPECIFIED:		PRODUCT SPEC: 108-1973
0 PLC ±	1 PLC ±.01	APPLICATION SPEC: 114-13038
2 PLC ±.01	3 PLC ±.005	SIZE: A1
4 PLC ±.0020	ANGLES ±.2°	CAGE CODE: C=6600130
MATERIAL: -	FINISH: -	RESTRICTED TO: -
CUSTOMER DRAWING		SCALE: 4:1 SHEET 10 OF 13 REV: F5

REVISIONS				
P.	LTN.	DESCRIPTION	DATE	APVD.
-	-	SEE SHEET 1	-	-

PART NUMBER	ROWS	POWER		SIGNAL						POWER			
		P1	P2	1	2	3	4	5	6	P3	P4	P5	P6
2-6600130-2	D	PS	PS	J	J	J	J	J	J	PS	PS	PS	PS
	C			K	K	K	K	K	K				
	B			N	N	N	N	N	N				
	A			S	S	S	S	S	S				
2P + 24S + 4P													

PART NUMBER	ROWS	POWER		SIGNAL		POWER	
		P1	P2	1	2	P3	P4
2-6600130-4	D	PS	PS	J	J	PS	PS
	C			K	K		
	B			N	N		
	A			S	S		
2ACP + 8S + 2ACP							

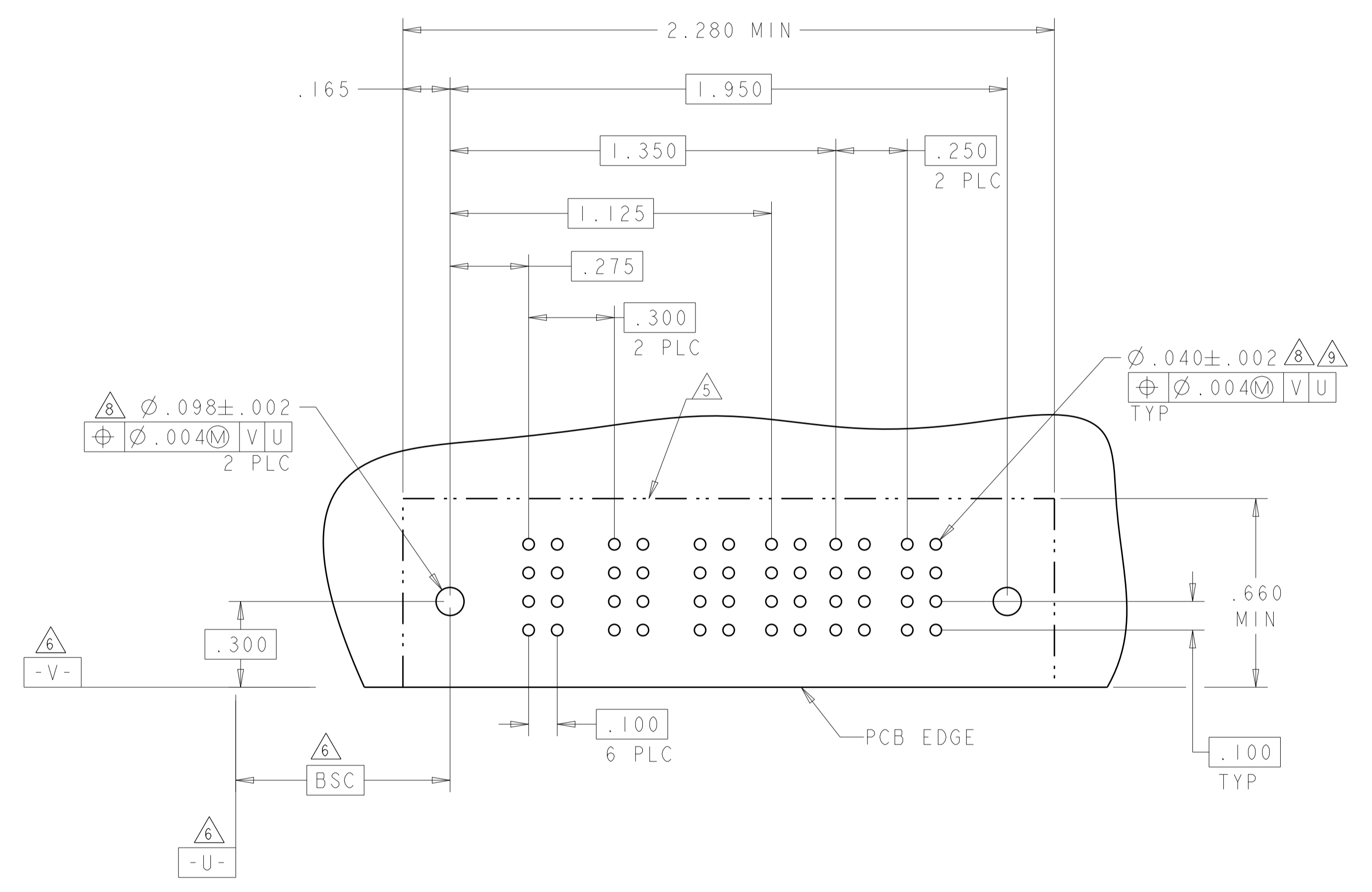
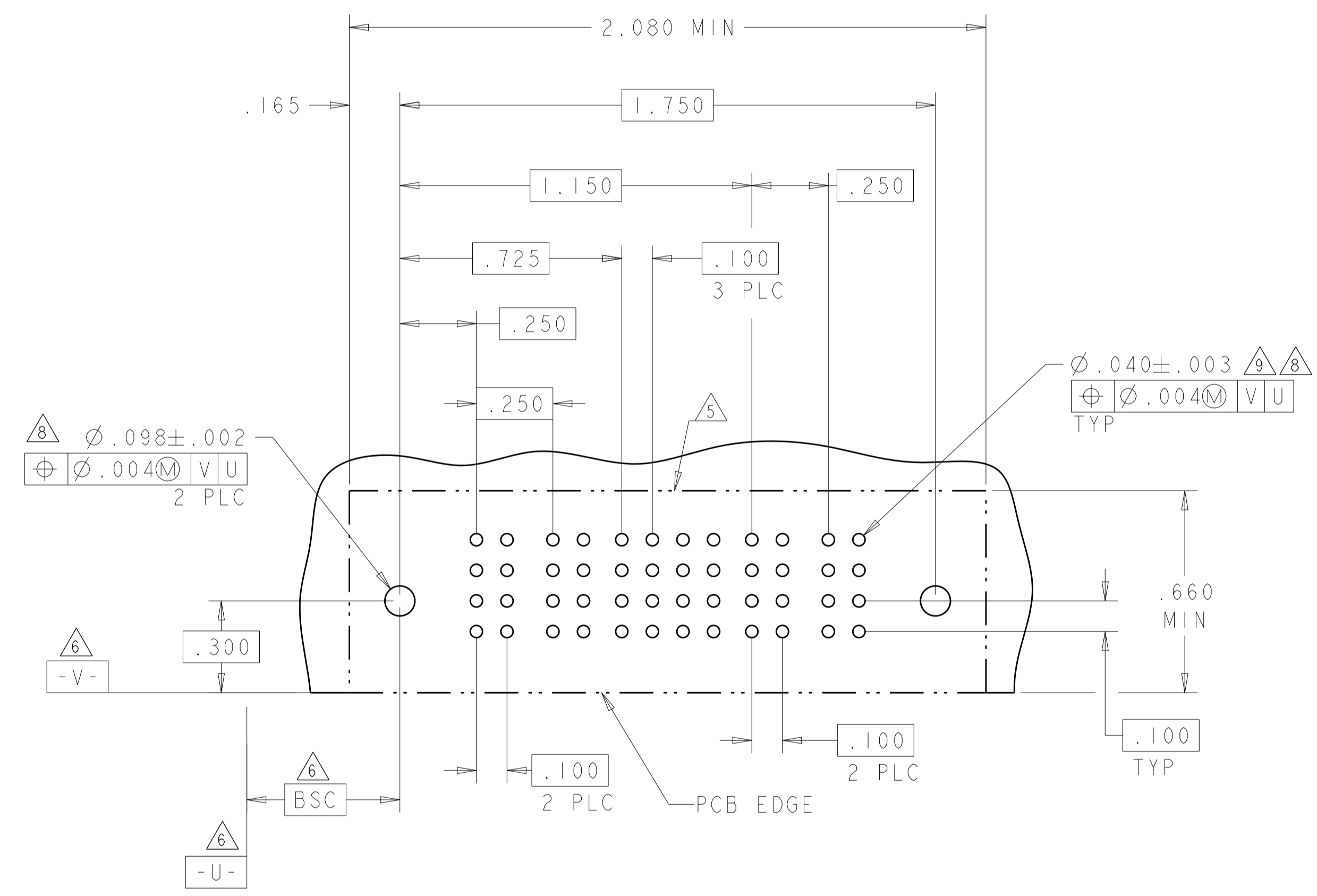
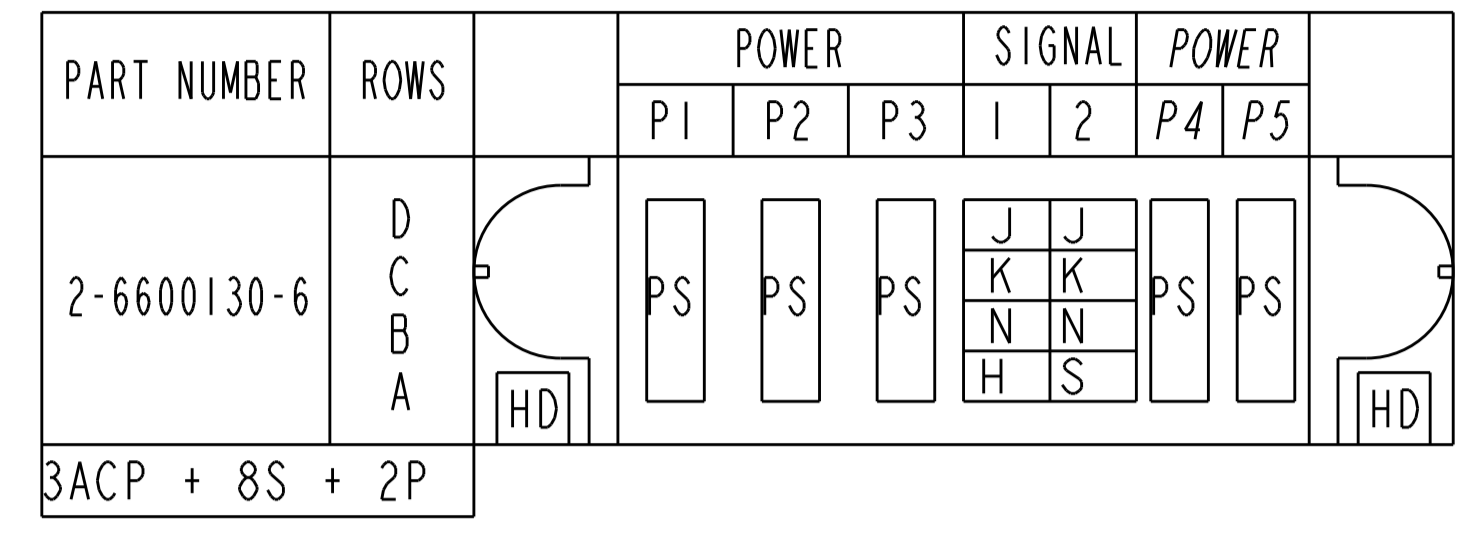
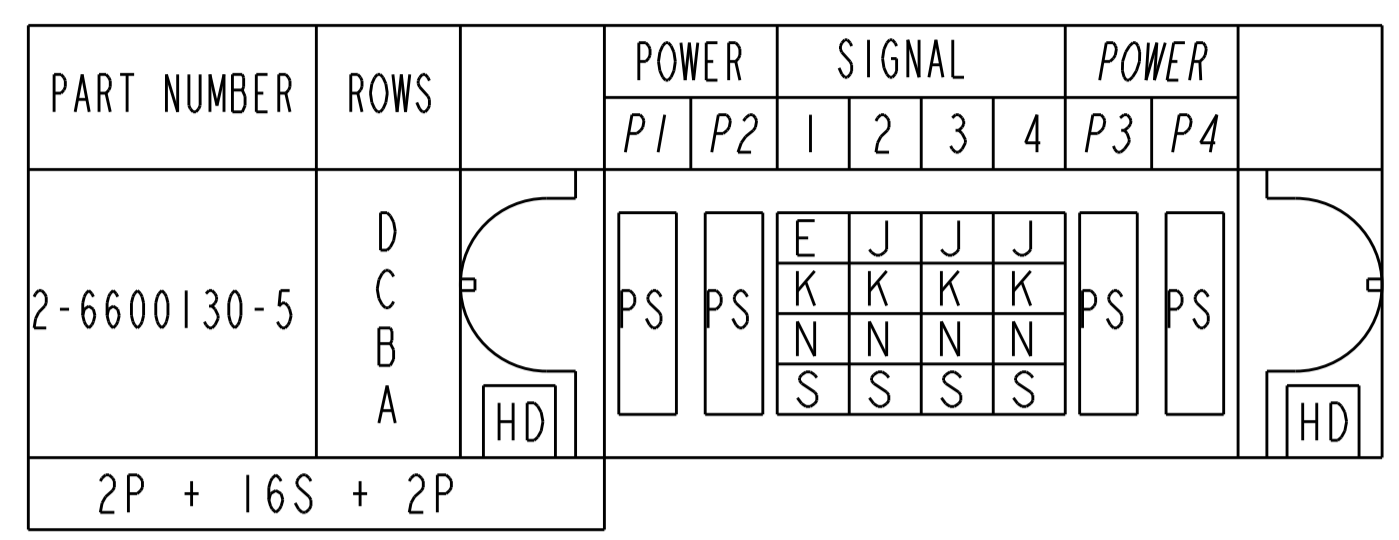


THIS DRAWING IS A CONTROLLED DOCUMENT.

DIMENSIONS: INCHES	TOLERANCES UNLESS OTHERWISE SPECIFIED: 0 PLC ±. 2 PLC ±.01 3 PLC ±.005 4 PLC ±.0020 ANGLES ±.7°	DWN: B. GRZYBOWSKI CHK: M. PERCHERKE APVD: M. PERCHERKE	OTIMAROS OTIMAROS	NAME: RIGHT ANGLE HEADER ASSEMBLY DUAL BEAM POWER CONTACT MULTI-BEAM XL
MATERIAL: -	FINISH: -	PRODUCT SPEC: 108-1973	APPLICATION SPEC: 114-13038	SIZE: A1
CUSTOMER DRAWING		WEIGHT: -	SCALE: 4:1	SHEET 11 OF 13

STC TE Connectivity

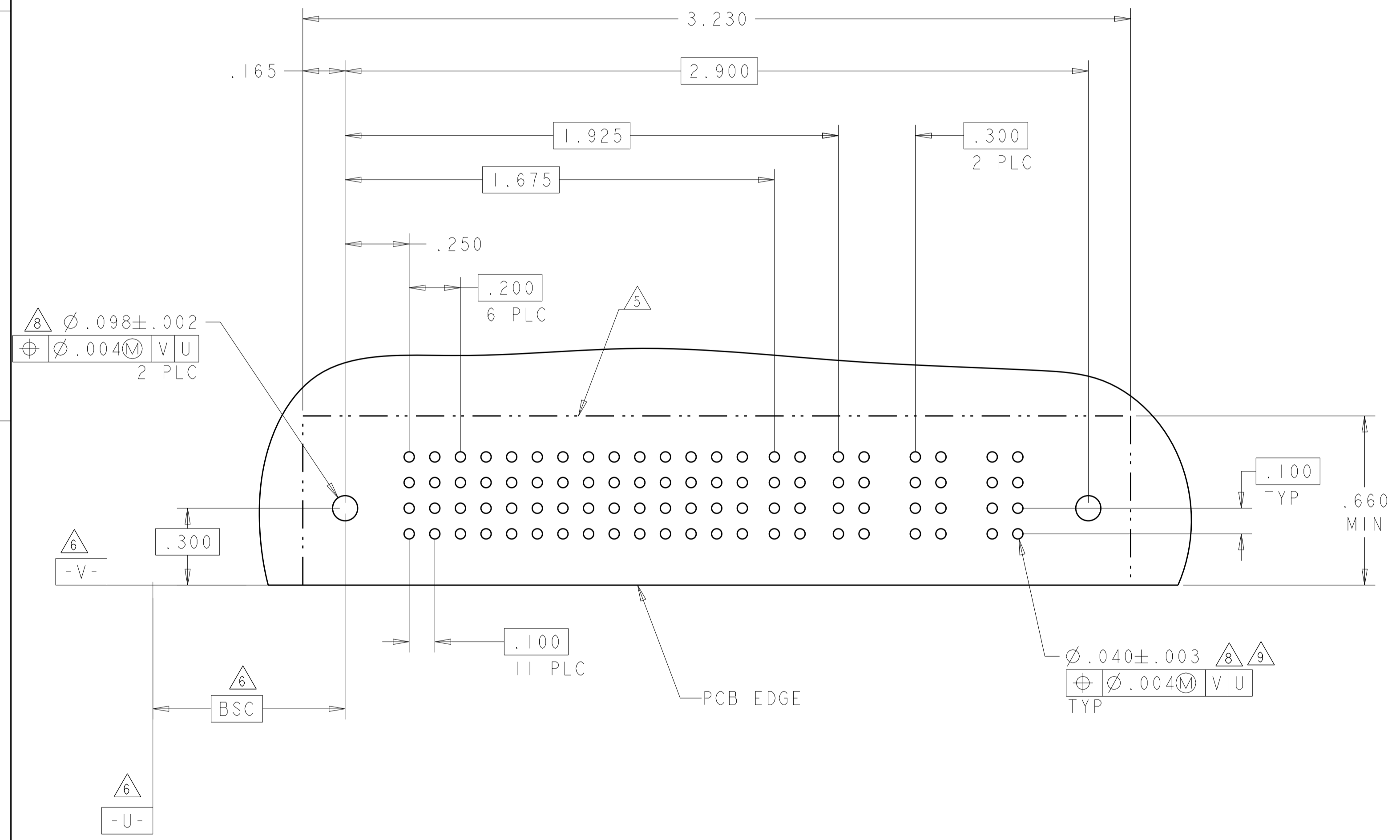
REVISIONS				
P.	LTN.	DESCRIPTION	DATE	APVD.
-	-	SEE SHEET 1	-	-



THIS DRAWING IS A CONTROLLED DOCUMENT.		DWN: R. GRZYBOWSKI CHK: M. PERCHERKE APVD: M. PERCHERKE	OTMAROS OTMAROS	STE TE Connectivity
DIMENSIONS: INCHES	TOLERANCES UNLESS OTHERWISE SPECIFIED: 0 PLC ±. 1 PLC ±.01 2 PLC ±.01 3 PLC ±.005 4 PLC ±.0020 ANGLES ±.7°	PRODUCT SPEC: 108-1973 APPLICATION SPEC: 114-13038 WEIGHT: -	NAME: RIGHT ANGLE HEADER ASSEMBLY DUAL BEAM POWER CONTACT MULTI-BEAM XL	
MATERIAL: -	FINISH: -	CUSTOMER DRAWING	SIZE: A1 CAGE CODE: - DRAWING NO: C=6600130	RESTRICTED TO: -
			SCALE: 4:1	SHEET 12 OF 13 REV F5

REVISIONS				
P.	LTN.	DESCRIPTION	DATE	APVD.
-	-	SEE SHEET 1	-	-

PART NUMBER	ROWS	POWER							SIGNAL		POWER		
		P1	P2	P3	P4	P5	P6	P7	1	2	P8	P9	P10
2-6600130-7	D	PS	PS	PS	PS	PS	PS	PS	E	E	PS	PS	PS
	C								F	F			
	B								G	G			
	A								H	H			
7HDP + 8S + 3ACP		HD									HD		



THIS DRAWING IS A CONTROLLED DOCUMENT.		DWN: B. GRZYBOWSKI CHK: M. PERCHERKE APVD: OTMAROS	OTMAROS	STE TE Connectivity
DIMENSIONS: INCHES	TOLERANCES UNLESS OTHERWISE SPECIFIED:	NAME: RIGHT ANGLE HEADER ASSEMBLY DUAL BEAM POWER CONTACT MULTI-BEAM XL		
	0 PLC ±	PRODUCT SPEC	SIZE: A1	RESTRICTED TO
	1 PLC ±.01	108-1973	CAGE CODE: C=6600130	
	2 PLC ±.01	APPLICATION SPEC	SCALE: 4:1	SHEET 13 OF 13 REV F5
	3 PLC ±.005	114-13038		
	4 PLC ±.0020	WEIGHT: -		
	ANGLES ±.2°	CUSTOMER DRAWING		

X-ON Electronics

Largest Supplier of Electrical and Electronic Components

Click to view similar products for [Power to the Board](#) category:

Click to view products by [TE Connectivity](#) manufacturer:

Other Similar products are found below :

[10131318-08512GRLF](#) [6450171-4](#) [6450552-7](#) [6600323-8](#) [6643429-1](#) [6646040-2](#) [6651939-1](#) [6766604-1](#) [120959-1](#) [1393557-2](#) [1393532-2](#)
[1393532-3](#) [1393532-4](#) [1393557-1](#) [1600812-5](#) [1-6450861-2](#) [1645595-1](#) [1743490-1](#) [1744132-7](#) [1761122-1](#) [1766169-1](#) [1766250-1](#) [18362](#)
[1892109-1](#) [1-967627-6](#) [2226808-1](#) [2-6450860-5](#) [2-6450860-6](#) [2-6450870-0](#) [93003-0502](#) [953552-1](#) [1-6450161-4](#) [1-6450850-6](#) [1645526-2](#) [1-](#)
[6600130-0](#) [1743419-1](#) [1766150-1](#) [2005243-2](#) [211110-1](#) [2-6600130-2](#) [TE34-12-16P-F0](#) [51700-10201602AALF](#) [5-6450830-6](#) [5646956-4](#)
[36662-0005](#) [40585-3000](#) [4-6450830-9](#) [4-6600333-3](#) [51142-0214](#) [10125416-4050LF](#)