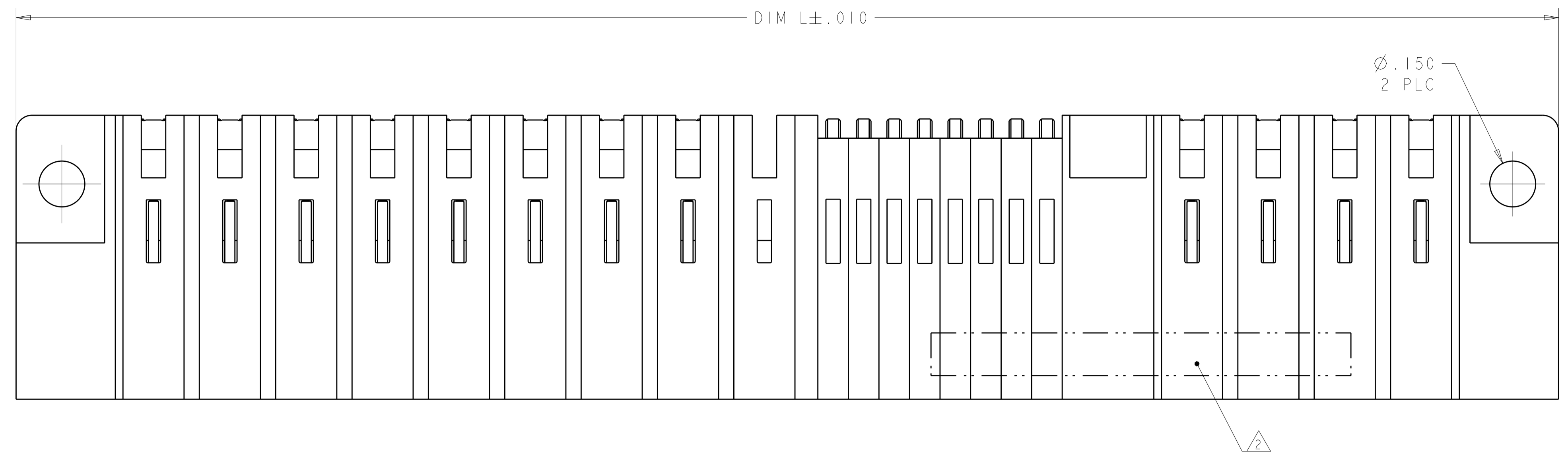
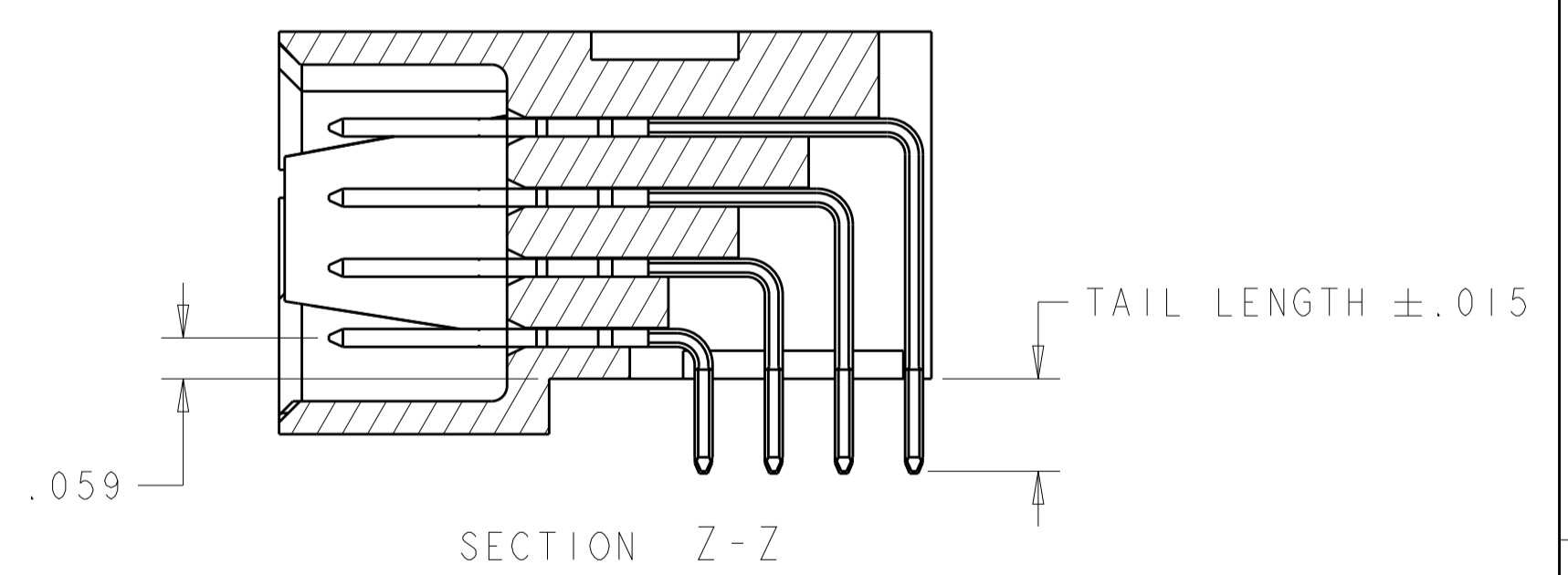
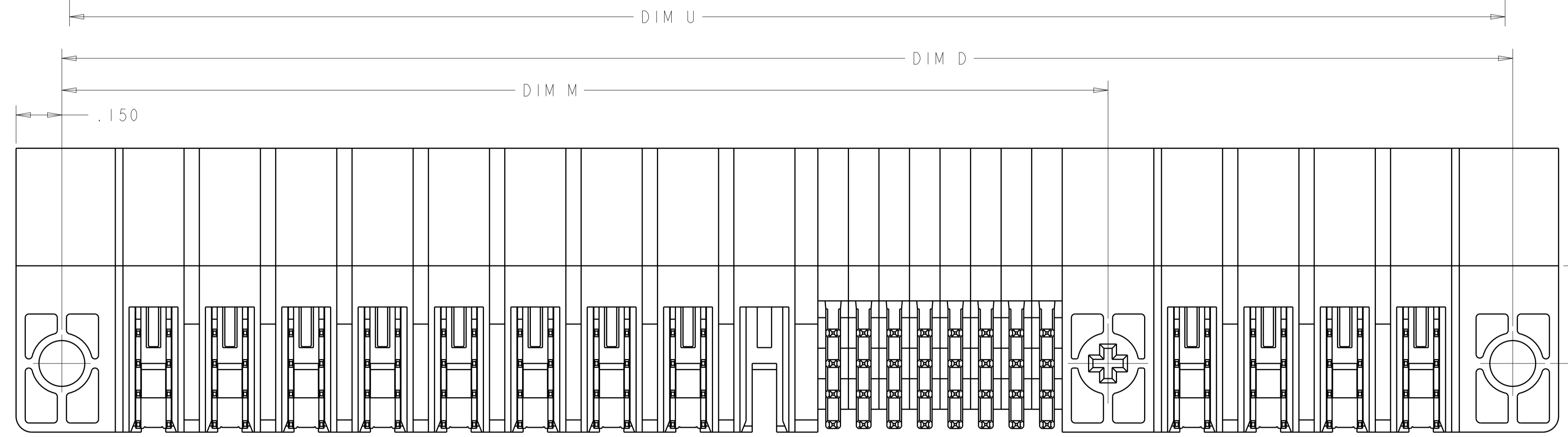
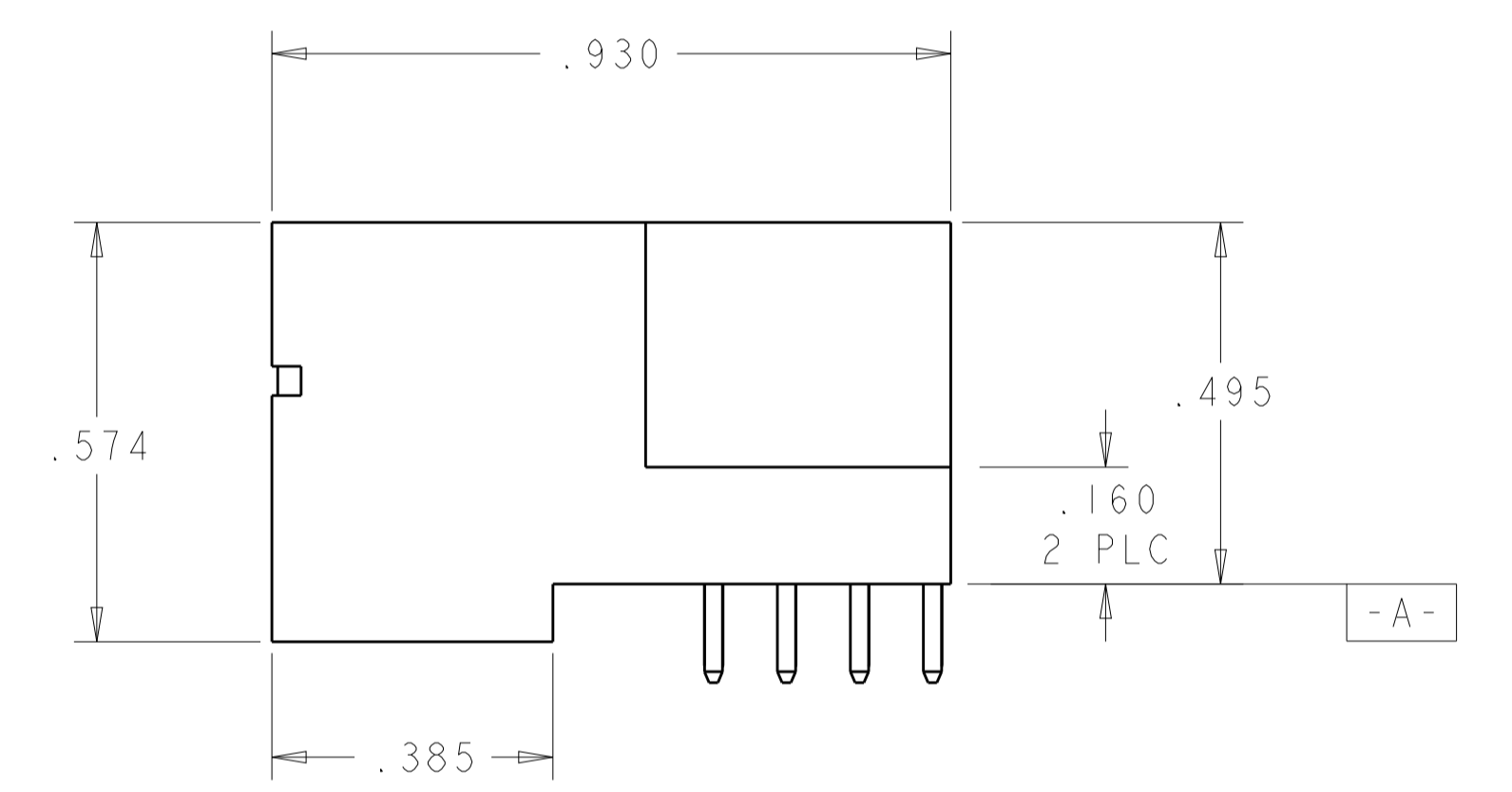
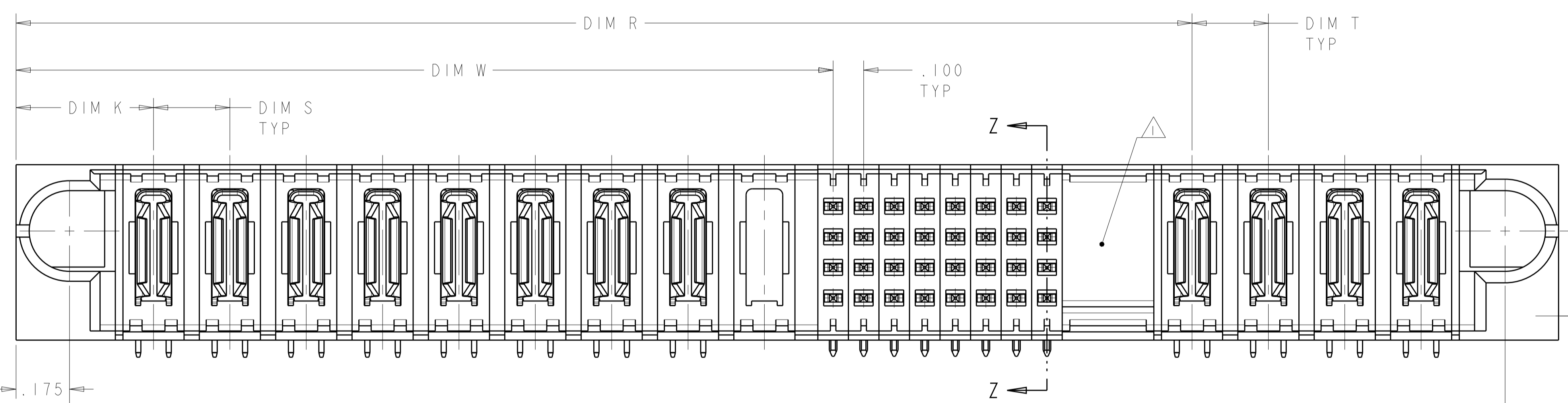


REVISIONS				
P.	LTN.	DESCRIPTION	DATE	DMN. APVD.
E6		REVISED FOR 1-2	16MAY2014	CZ SZ
E7		ADD NEW DASH NUMBER 1-4	02JAN2015	CZ SZ



- 1 OPTIONAL CENTER MODULE
- 2 "AMP", PART NUMBER, AND DATE CODE TO BE MARKED IN AREA SHOWN. PARTS UNDER 2.00 LONG MAY BE MARKED ON BOTH SIDES.
- 3 MATERIAL: HOUSING - GLASS FILLED HIGH TEMP THERMO PLASTIC, UL94 V-0  
SIGNAL CONTACT - COPPER ALLOY  
POWER CONTACT - HIGH CONDUCTIVITY COPPER ALLOY
- 4 CONTACT PLATING: SIGNAL CONTACTS - .000050 MIN NI UNDER ALL.  
.000030 MIN Au ON CONTACT AREA.  
.000100 MIN Sn AT PCB INTERFACE.  
POWER CONTACTS - .000050 MIN NI UNDER ALL.  
.000030 MIN Au ON CONTACT AREA.  
.000100 MIN Sn AT PCB INTERFACE.
- 5 MECHANICAL CONNECTOR KEEP OUT ZONE.
- 6 DATUM AND BASIC DIMENSIONS ESTABLISHED BY CUSTOMER.
- 7 PCB - ALL HOLE DIAMETERS ARE FINISHED HOLE SIZES.
- 8 PCB - .0453 +/- .0010 DRILLED HOLES PLATES WITH .0003 MIN Sn OVER .001 TO .003 PLATING TO ACHIEVE A .040 DIA. HOLE.
- 9 VARIABLE DIMENSIONS SHOW ON VIEW (SHEET 5).

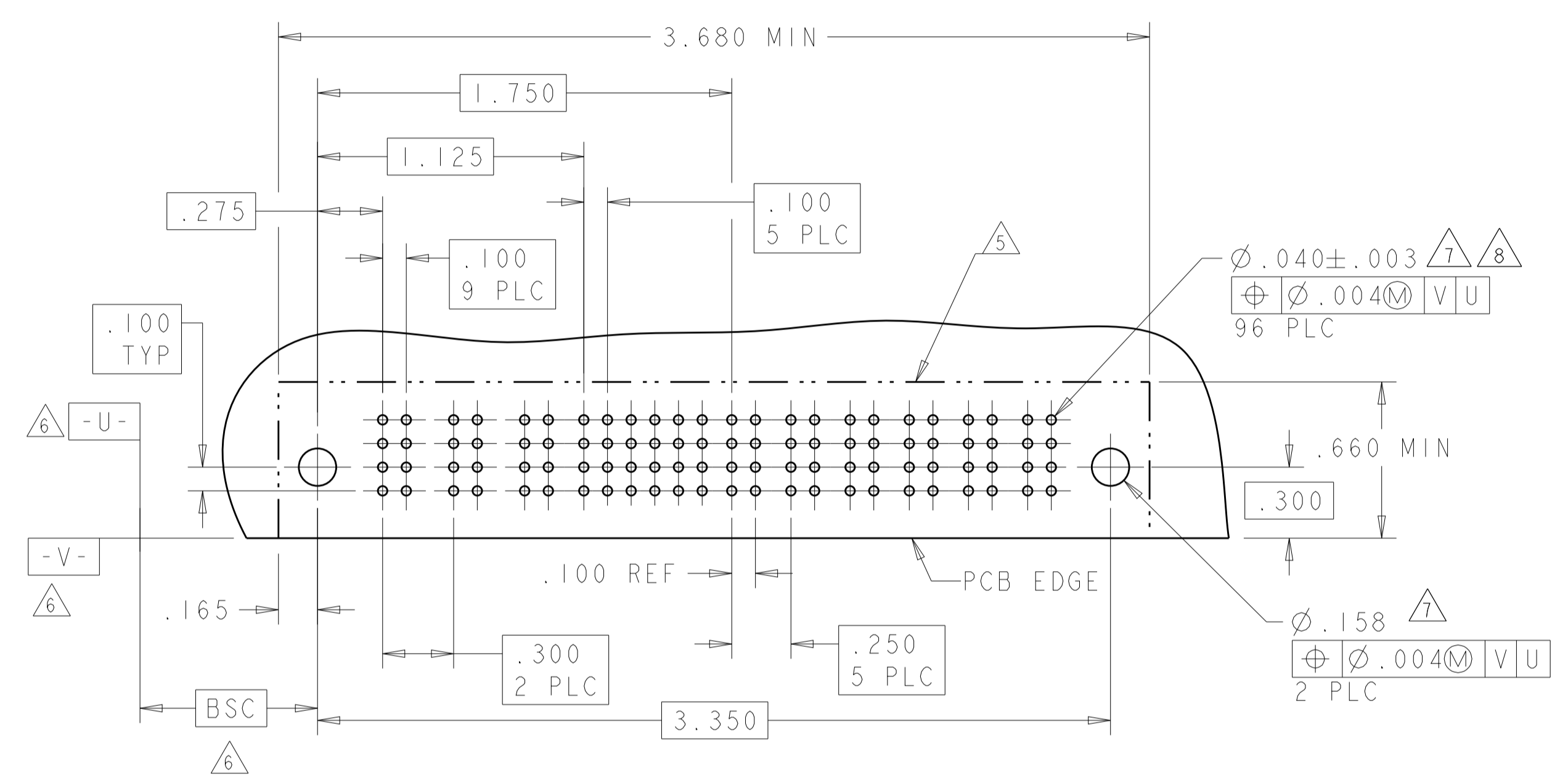
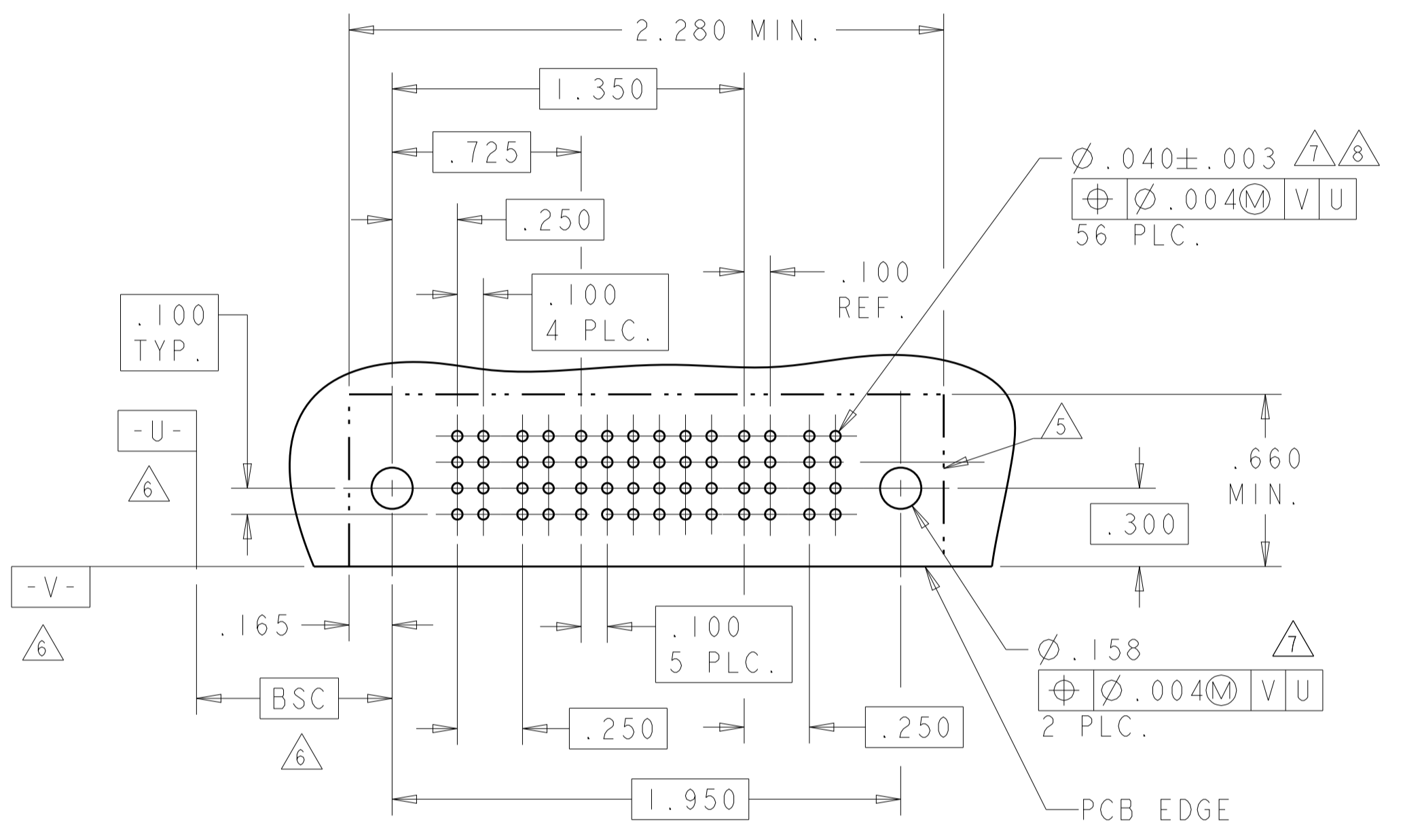


THIS DRAWING IS A CONTROLLED DOCUMENT.		DMN: R. GRZYBOWSKI 13JUN05	TE Connectivity
DIMENSIONS: INCHES		CHK: M. PERCHERKE 13JUN05	
TOLERANCES UNLESS OTHERWISE SPECIFIED:		APVD: M. PERCHERKE	NAME: RIGHT ANGLE HEADER W/GUIDES ASSEMBLY
0 PLC ±.01	1 PLC ±.01	PRODUCT SPEC: 108-1973	MULTI-BEAM XL (DUAL-BEAM POWER)
2 PLC ±.005	3 PLC ±.005	APPLICATION SPEC: 114-13038	RESTRICTED TO: A1
4 PLC ±.0020	ANGLES ±.7°	WEIGHT: -	SCALE: 4:1 SHEET 1 OF 7 REV: E7
MATERIAL: 3	FINISH: 4	CUSTOMER DRAWING	SIZE: CAGE CODE DRAWING NO: C=6600132

REVISIONS				
P.	LTN.	DESCRIPTION	DATE	APVD.
-	-	SEE SHEET 1	-	-

PART NUMBER	ROWS	POWER		SIGNAL						POWER	
		P1	P2	1	2	3	4	5	6	P3	P4
6600132-1	D C B A	PS	PS	J	J	J	J	J	J	PS	PS
				K	K	K	K	K	K		
				N	N	N	G	N	N		
				S	S	S	S	S	S		
2P + 24S + 2P											

PART NUMBER	ROWS	POWER			SIGNAL						POWER					
		P1	P2	P3	1	2	3	4	5	6	P4	P5	P6	P7	P8	P9
6600132-2	D C B A	PS	PS	PS	J	J	J	J	J	J	PS	PS	PS	PS	PS	PS
					K	K	K	K	K	K						
					N	N	N	N	N	N						
					H	S	S	S	S	S						
3ACP + 24S + 6P																



FK	MFBL	.135	C
A4	MLBF	.090	D
A3	MLBF	.090	C
A2	MLBF	.090	B
A1	MLBF	.090	A
E	MLBF	.135	D
F	MLBF	.135	C
G	MLBF	.135	B
H	MLBF	.135	A
Z	STD	.090	D
Y	STD	.090	C
R	STD	.090	B
O	STD	.090	A
J	STD	.135	D
K	STD	.135	C
N	STD	.135	B
S	STD	.135	A
CODE	MATING SEQUENCE	TAIL LENGTH	ROW
SIGNAL CONTACT			

PL	.090
PS	.135
CODE	TAIL LENGTH
POWER CONTACT	

2.900	.250	.250	2.050	1.375	2.950	-	3.250	.450	4P + 24S + 4P	1-6600132-4	
2.200	.250	.250	1.350	.875	2.250	-	2.550	.450	2P + 16S + 4P	1-6600132-2	
1.900	.250	.250	1.550	.875	1.950	-	2.250	.450	2P + 24S + 2P	1-6600132-1	
1.200	-	-	1.100	.625	1.250	-	1.550	.450	1P + 16S + 1P	1-6600132-0	
2.200	.200	.200	1.725	1.025	2.250	-	2.550	.425	3P + 24S + 3P	6600132-9	
3.550	.200	.200	2.225	1.925	3.600	-	3.900	.500	7P + 8S + 7P	6600132-7	
2.500	.250	.250	2.150	1.425	2.550	-	2.850	.450	4P + 24S + 2P	6600132-6	
4.500	.250	.250	2.900	2.125	4.550	-	4.850	.450	7P + 28S + 7P	6600132-5	
1.575	-	-	1.425	.700	1.625	-	1.925	.475	1P + 24S + 1P	6600132-4	
1.575	.250	.250	1.425	.700	1.625	-	1.925	.475	1P + 24S + 1P	6600132-3	
3.300	.300	.250	1.950	1.275	3.350	-	3.650	.475	3ACP + 24S + 6P	6600132-2	
1.900	.250	.250	1.550	0.875	1.950	-	2.250	.450	2P + 24S + 2P	6600132-1	
DIM	U	S	T	R	W	D	M	L	K	DESCRIPTION	PART NUMBER

THIS DRAWING IS A CONTROLLED DOCUMENT. DWG: R. GRZYBOWSKI 13JUN05, CHK: M. PERCHERKE 13JUN05, APVD: M. PERCHERKE

TE Connectivity

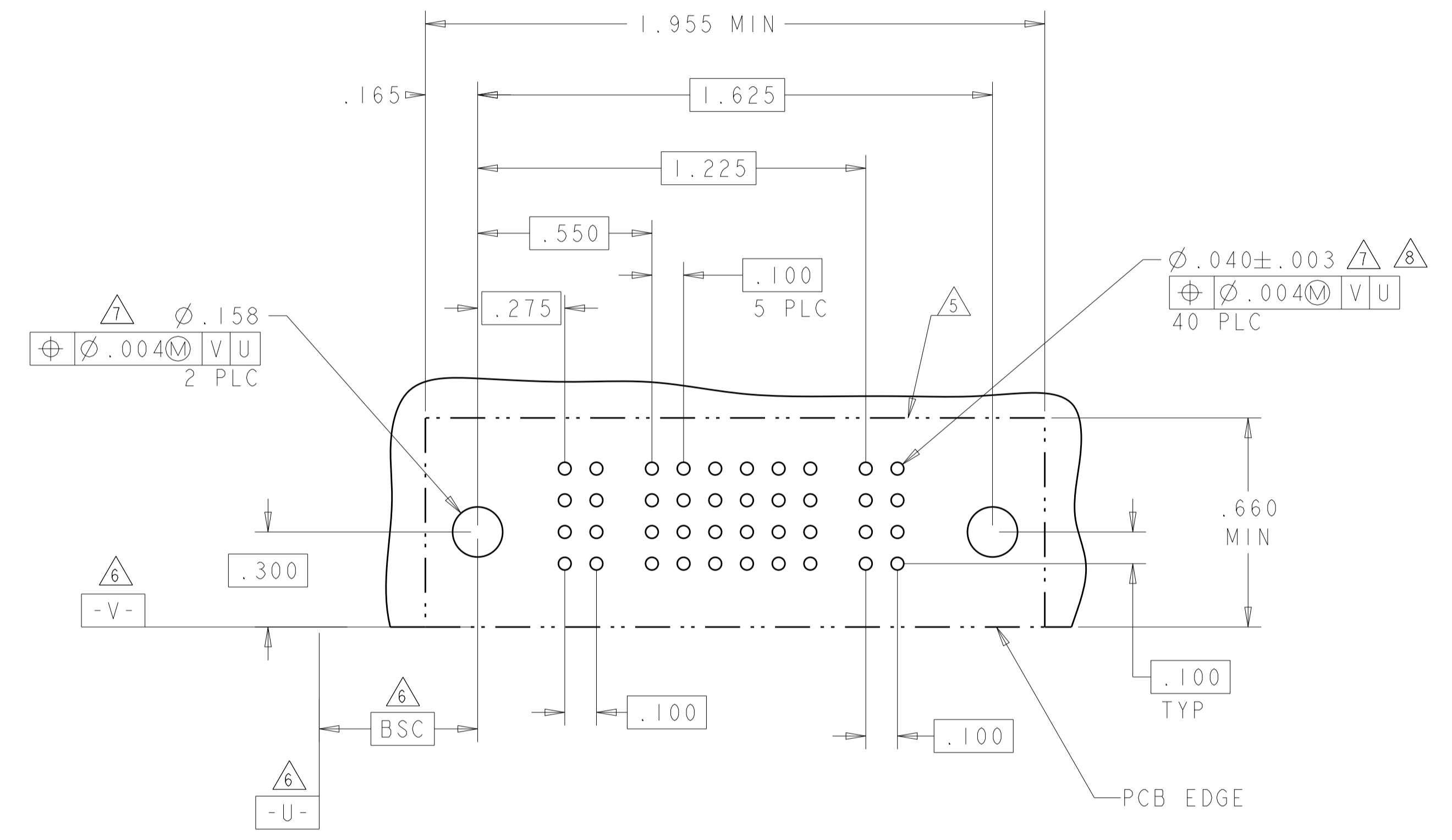
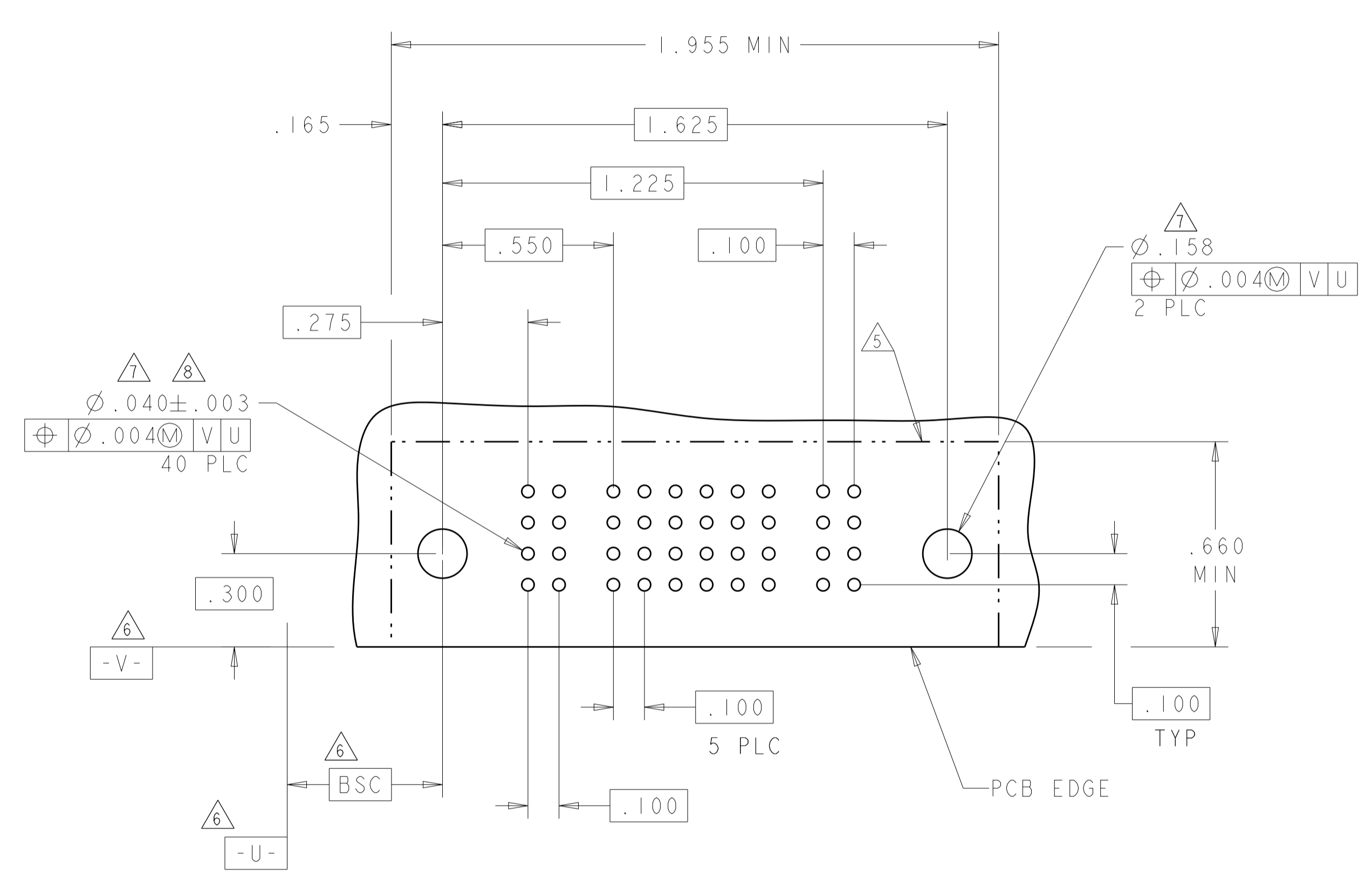
RIGHT ANGLE HEADER W/GUIDES ASSEMBLY (DUAL-BEAM POWER)

SCALE: 4:1 SHEET 2 OF 7 REV: E7

REVISIONS				
P.	LTN.	DESCRIPTION	DATE	APVD.
-	-	SEE SHEET 1	-	-

PART NUMBER	ROWS	POWER		SIGNAL						POWER			
		P1	P2	1	2	3	4	5	6	P1	P2		
6600132-3	D C B A	PS	PS	J	J	J	J	J	J	J	J	PS	PS
				K	K	K	K	K	K	K	K		
				N	N	G	G	N	G	N	N		
				S	S	H	S	S	S	S	S		
IP + 24S + IP													

PART NUMBER	ROWS	POWER		SIGNAL						POWER			
		P1	P2	1	2	3	4	5	6	P1	P2		
6600132-4	D C B A	PS	PS	J	J	J	J	J	J	J	J	PS	PS
				K	K	K	K	K	K	K	K		
				N	N	N	G	N	N	N	N		
				S	S	S	S	S	S	S	S		
IP + 24S + IP													



THIS DRAWING IS A CONTROLLED DOCUMENT.

DIMENSIONS: INCHES	TOLERANCES UNLESS OTHERWISE SPECIFIED: 0 PLC ±. 1 PLC ±.01 2 PLC ±.01 3 PLC ±.005 4 PLC ±.0020 ANGLES ±.7°	FINISH	APVD: M. PERCHERKE	NAME: M. PERCHERKE	DATE: 13JUN05	REV: 7
MATERIAL	FINISH	WEIGHT	114-13038	108-1973	13JUN05	7
CUSTOMER DRAWING			SCALE: 4:1	SHEET 3 OF 7	REV: E7	

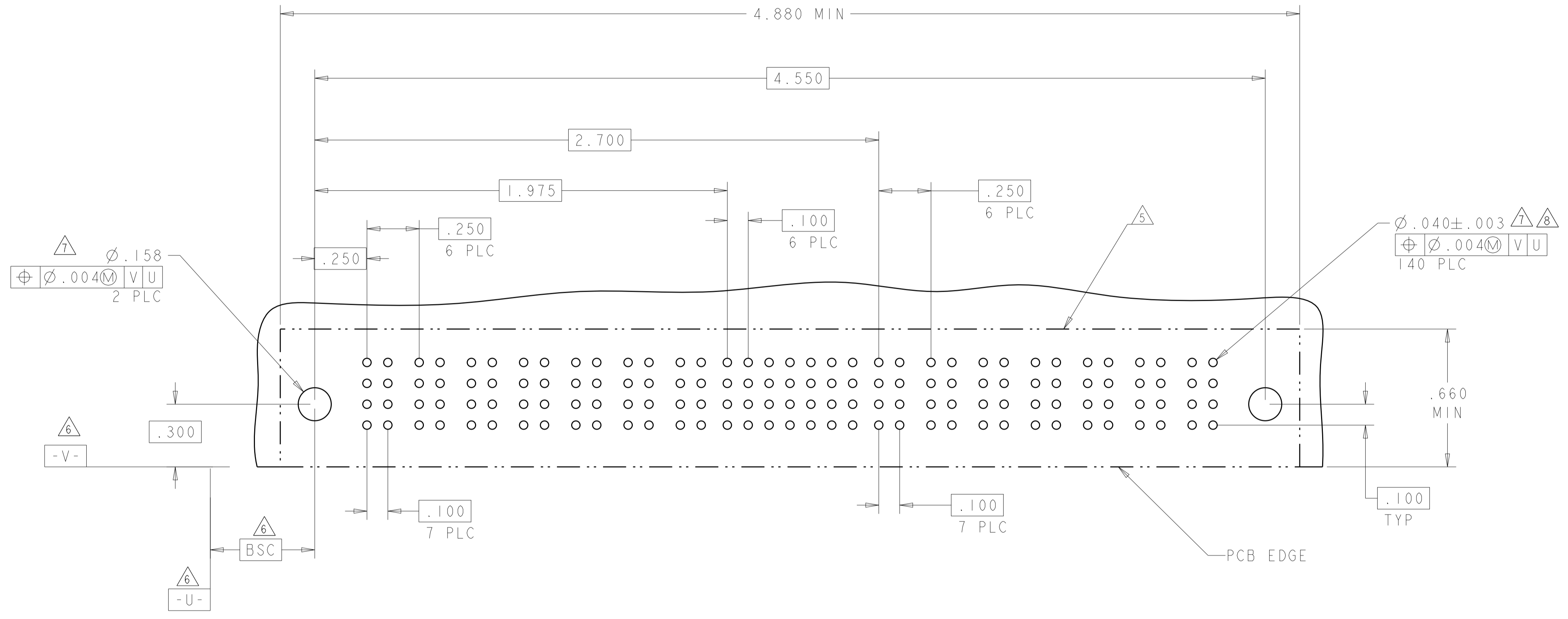
**STE** TE Connectivity

RIGHT ANGLE HEADER W/GUIDES ASSEMBLY  
MULTI-BEAM XL  
(DUAL-BEAM POWER)

SIZE: A1 CAGE CODE: 6600132

REVISIONS				
P.	LTN.	DESCRIPTION	DATE	APVD.
-	-	SEE SHEET 1	-	-

PART NUMBER	ROWS	POWER						SIGNAL							POWER						
		P1	P2	P3	P4	P5	P6	P7	1	2	3	4	5	6	7	P8	P9	P10	P11	P12	P13
6600132-5	D C B A	PS	PS	PS	PS	PS	PS	J	J	J	J	J	J	J	PS	PS	PS	PS	PS	PS	PS
								K	K	K	F	K	K	K							
								N	N	N	G	N	N	N							
7P + 28S + 7P								S	S	S	S	S	S								

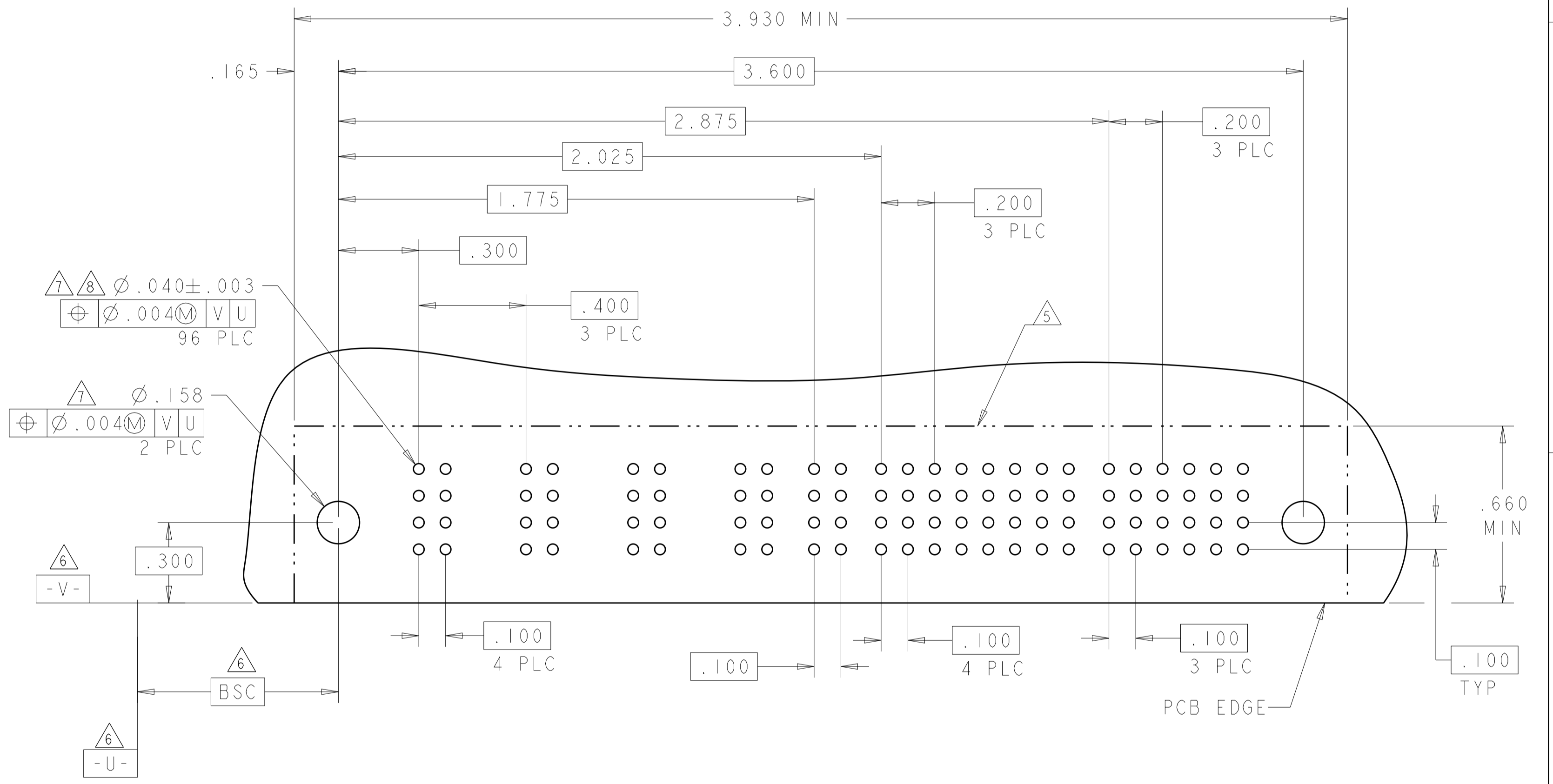
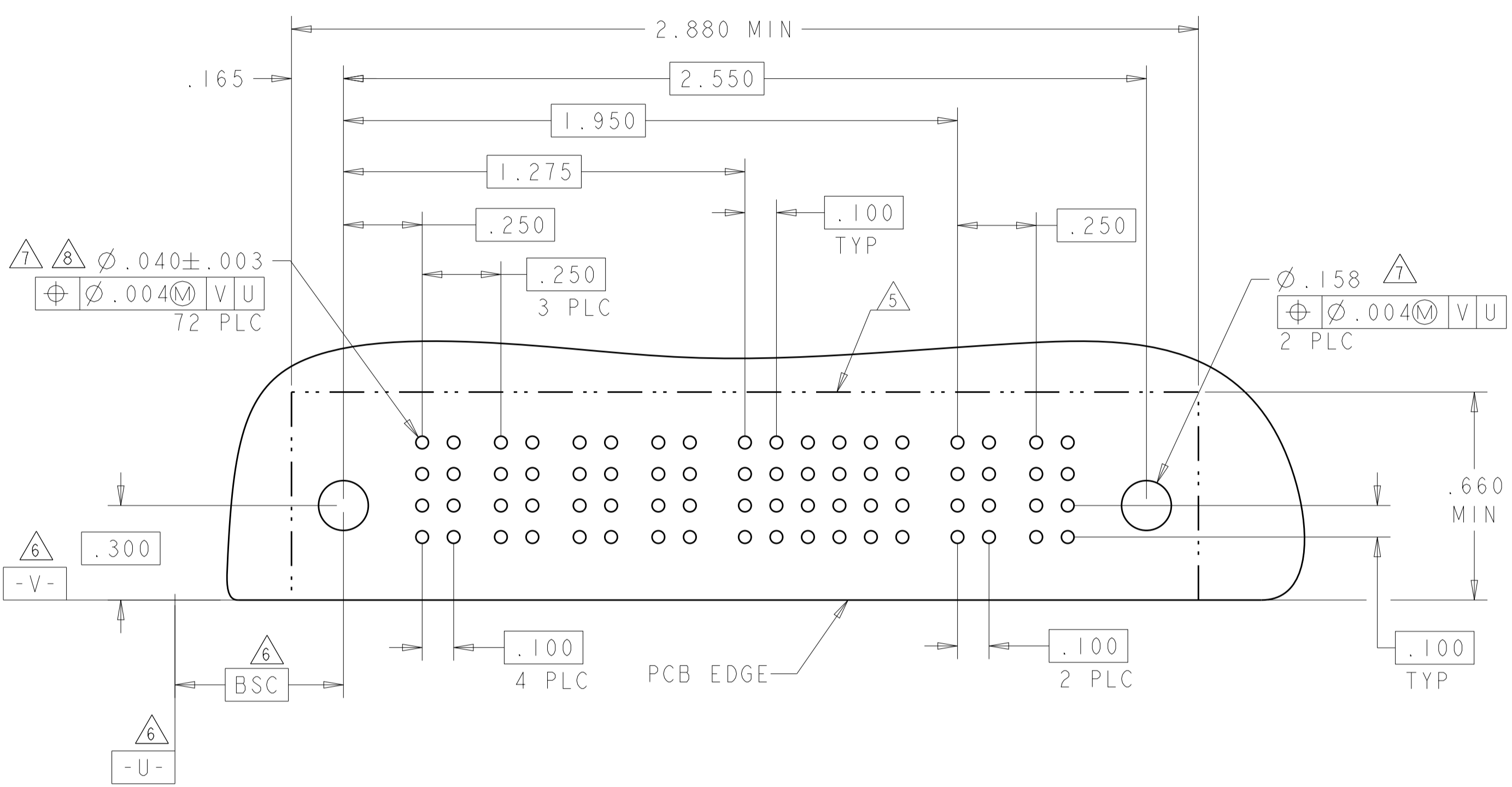


THIS DRAWING IS A CONTROLLED DOCUMENT.		DWN: R. GRZYBOWSKI 13JUN05 CHK: M. PERCHERKE 13JUN05 APVD: M. PERCHERKE	TE Connectivity
DIMENSIONS: INCHES	TOLERANCES UNLESS OTHERWISE SPECIFIED: 0 PLC ±. 1 PLC ±.01 2 PLC ±.01 3 PLC ±.005 4 PLC ±.0020 ANGLES ±.2° FINISH	NAME: RIGHT ANGLE HEADER W/GUIDES ASSEMBLY PRODUCT SPEC: 108-1973 APPLICATION SPEC: 114-13038 WEIGHT: - CUSTOMER DRAWING	
MATERIAL: - FINISH: -		SIZE: A1 CAGE CODE: - DRAWING NO: 6600132 SCALE: 4:1 SHEET: 4 OF 7 REV: E7	RESTRICTED TO: -

REVISIONS				
P.	LTN.	DESCRIPTION	DATE	APP'D.
-	-	SEE SHEET 1	-	-

PART NUMBER	ROWS	POWER				SIGNAL						POWER	
		P1	P2	P3	P4	1	2	3	4	5	6	P5	P6
6600132-6	D C B A	PS	PS	PS	PS	J	J	J	J	J	J	PS	PS
						K	K	K	K	K	K		
						N	N	N	N	N	N		
4P + 24S + 2P						S	S	S	S	S	S		

PART NUMBER	ROWS	POWER							SIGNAL		POWER						
		P1	P2	P3	P4	P5	P6	P7	1	2	P8	P9	P10	P11	P12	P13	P14
6600132-7	D C B A	PS	PS	PS	PS	PS	PS	J	J	PS	PS	PS	PS	PS	PS	PS	
								K	K								
								N	N								
7P + 8S + 7P								H	S								



THIS DRAWING IS A CONTROLLED DOCUMENT.

DIMENSIONS: INCHES	TOLERANCES UNLESS OTHERWISE SPECIFIED: 0 PLC ±. 1 PLC ±.01 2 PLC ±.01 3 PLC ±.005 4 PLC ±.0020 ANGLES ±.2°	FINISH	APVD: M. PERCHERKE	NAME: M. PERCHERKE	DATE: 13JUN05
MATERIAL			PRODUCT SPEC: 108-1973	APPLICATION SPEC: 114-13038	WEIGHT
CUSTOMER DRAWING			SIZE: A1	CAGE CODE: 6600132	DRAWING NO: 114-13038

STE TE Connectivity

RIGHT ANGLE HEADER W/GUIDES ASSEMBLY  
 MULTI-BEAM XL  
 (DUAL-BEAM POWER)

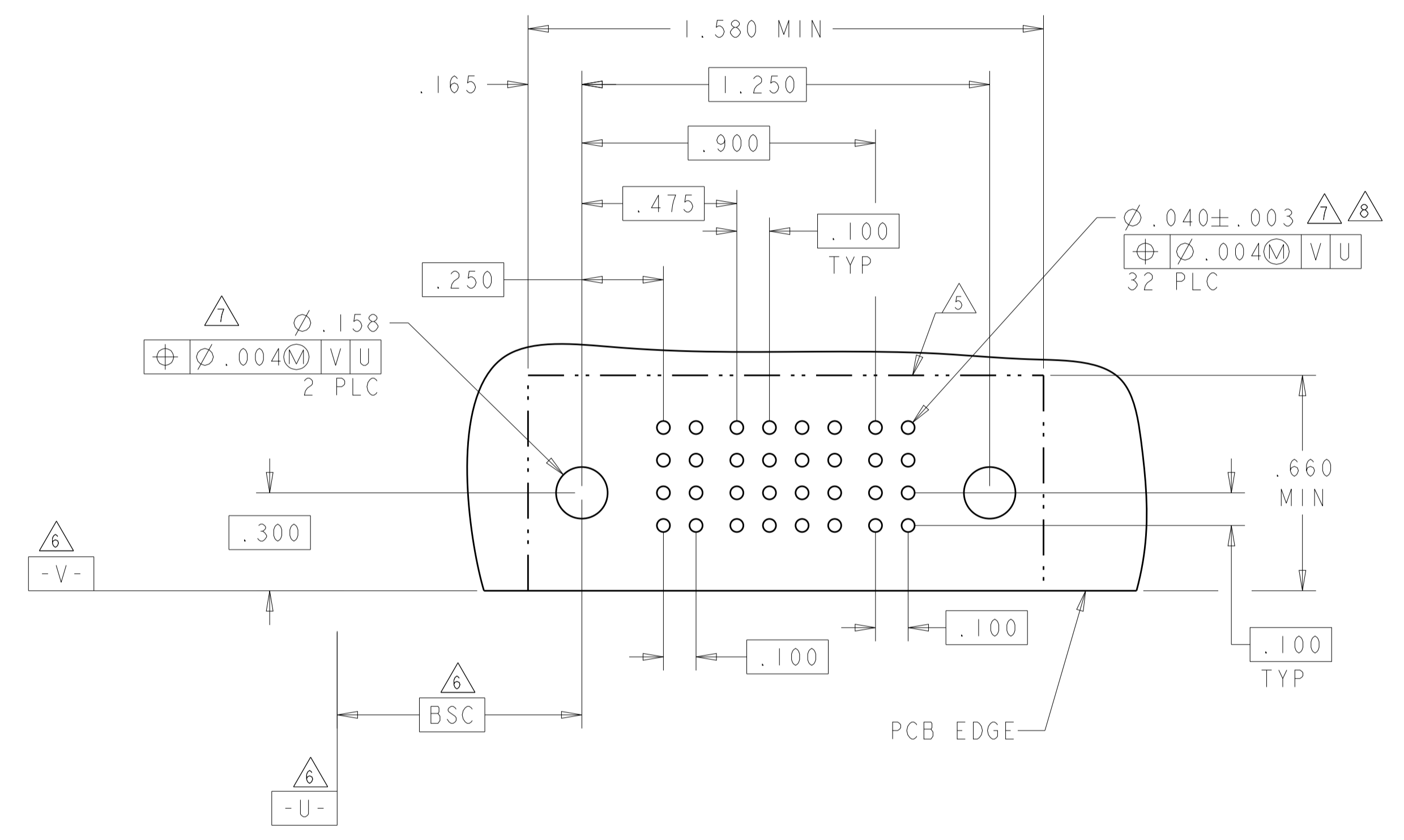
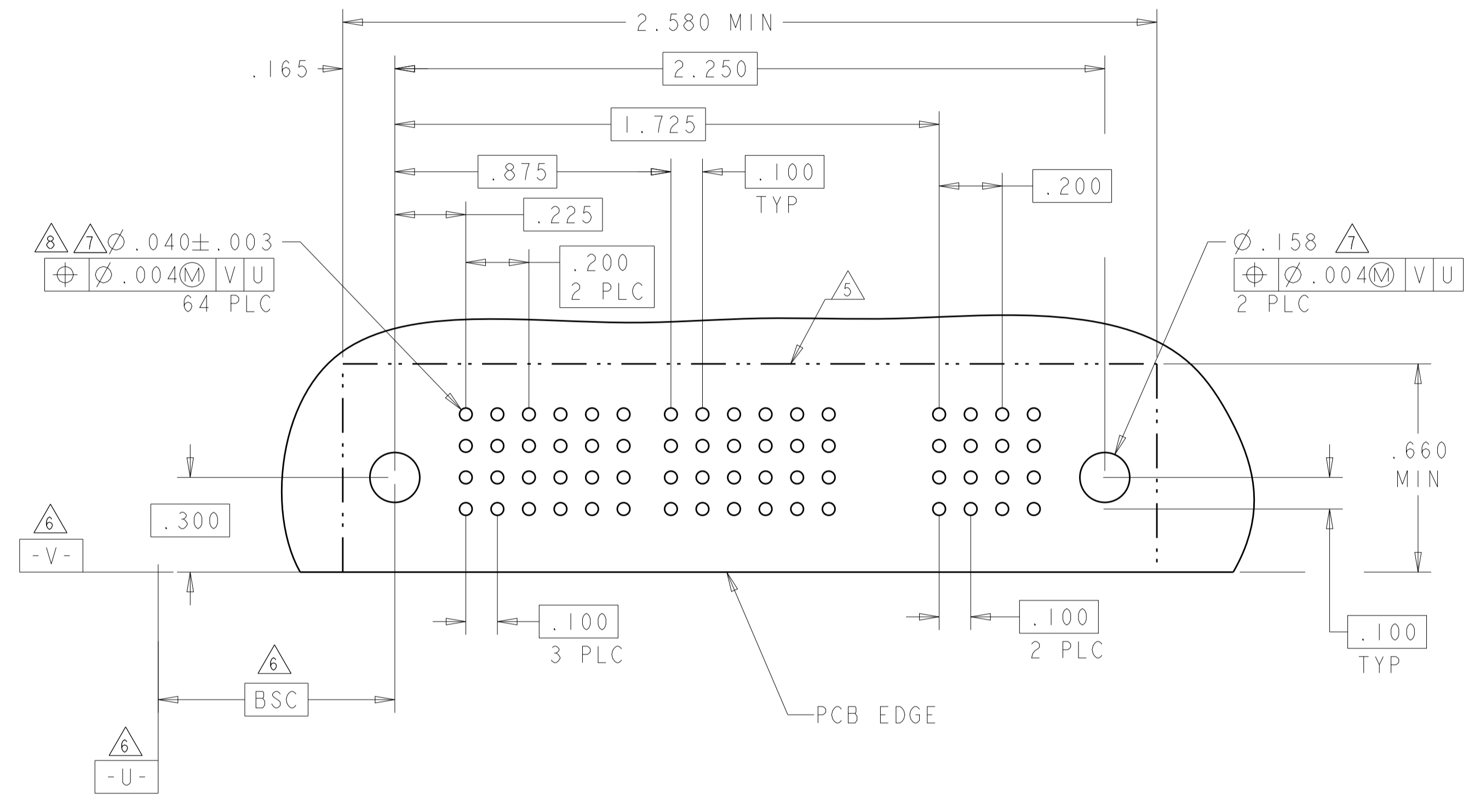
SCALE: 4:1 SHEET 5 OF 7 REV: E7

REVISIONS				
P	LTN	DESCRIPTION	DATE	APVD
-	-	SEE SHEET 1	-	-

PART NUMBER	ROWS	POWER			SIGNAL						POWER		
		P1	P2	P3	1	2	3	4	5	6	P4	P5	P6
6600132-9	D	PS	PS	PS	J	J	J	J	J	J	PS	PS	
	C				K	K	K	K	K	K			
	B				N	N	N	N	N	N			
	A				H	S	S	S	S	H			
3P + 24S + 3P													

NO CONTACT LOADED

PART NUMBER	ROWS	POWER		SIGNAL				POWER	
		P1	P2	1	2	3	4	P3	P4
1-6600132-0	D	PS	PS	J	J	J	J	PS	PS
	C			K	K	F	K		
	B			N	N	G	N		
	A			S	S	S	S		
1P + 16S + 1P									



PART NUMBER	ROWS	POWER		SIGNAL						POWER		
		P1	P2	1	2	3	4	5	6	P3	P4	
1-6600132-1	D	PS	PS	J	J	J	J	J	J	PS	PS	
	C			K	K	K	K	K				
	B			N	N	N	N	N				
	A			S	S	S	S	S				
2P + 24S + 2P												

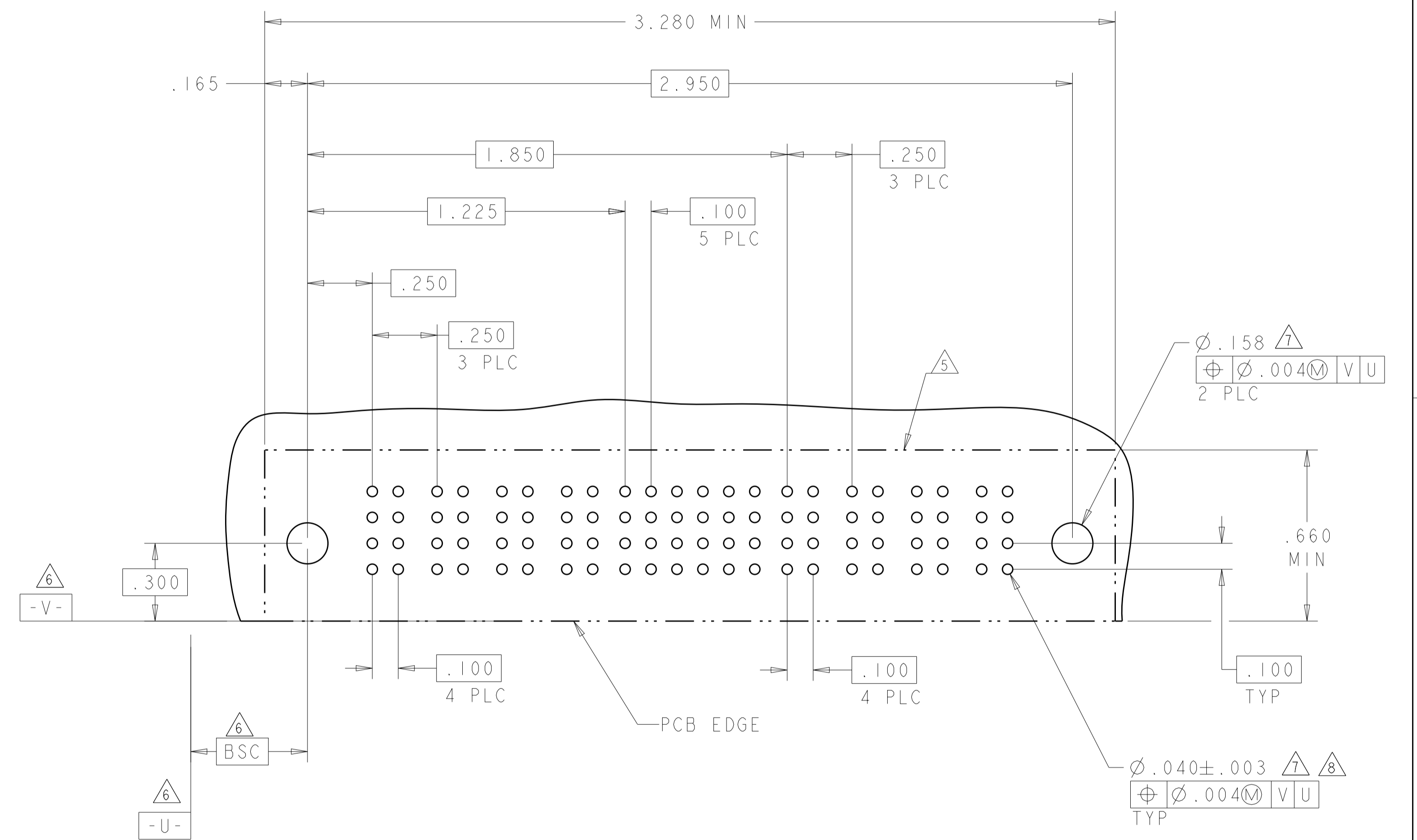
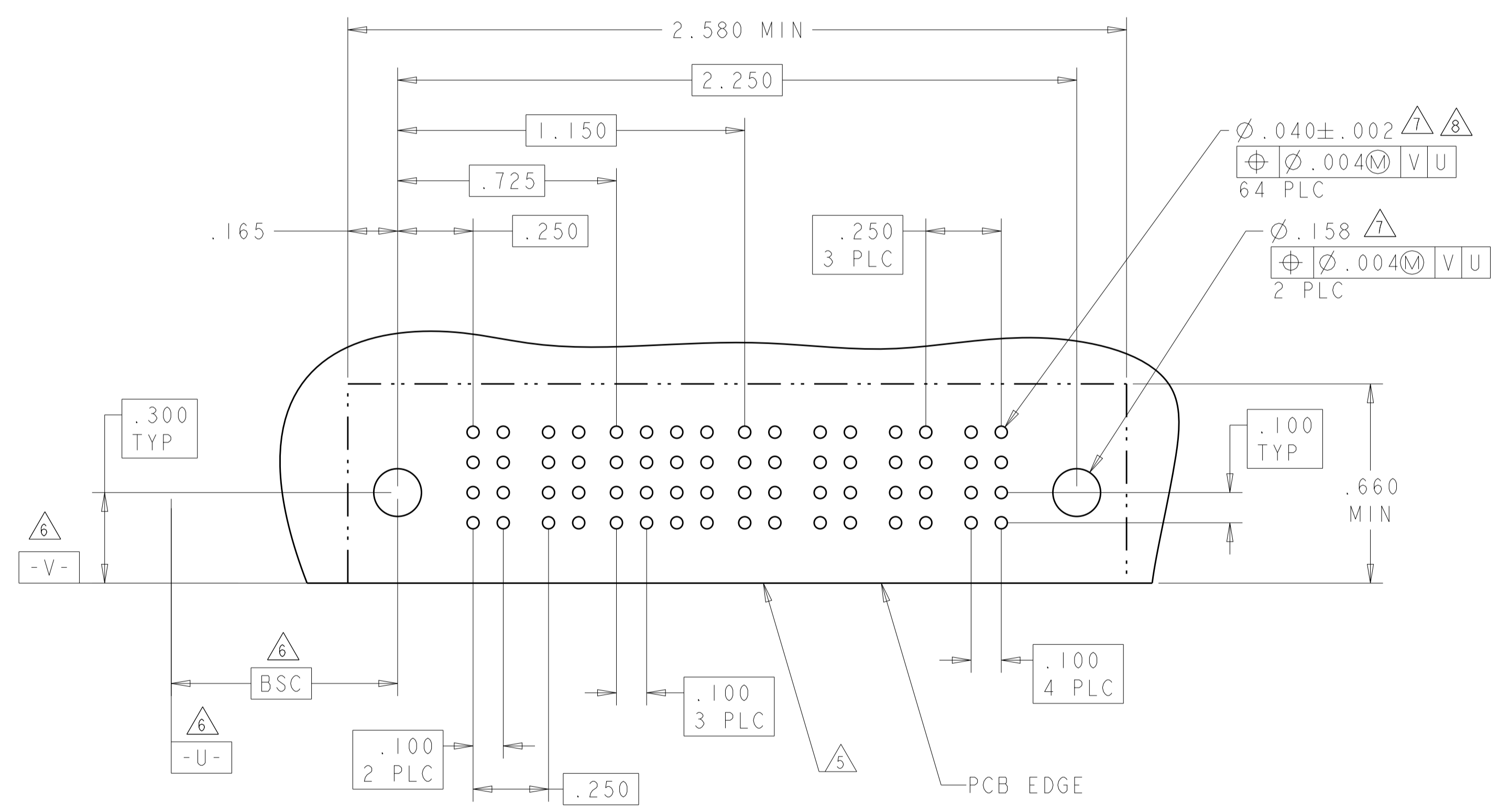
PCB LAYOUT OF 1-6600132-1 IS THE SAME AS 6600132-1.

THIS DRAWING IS A CONTROLLED DOCUMENT.		DWN R. GRZYBOWSKI 13JUN05 CHK M. PERCHERKE 13JUN05	TE Connectivity
DIMENSIONS: INCHES	TOLERANCES UNLESS OTHERWISE SPECIFIED: 0 PLC ±. 1 PLC ±.01 2 PLC ±.01 3 PLC ±.005 4 PLC ±.0020 ANGLES ±.7°	APVD M. PERCHERKE PRODUCT SPEC 108-1973 APPLICATION SPEC 114-13038 WEIGHT CUSTOMER DRAWING	
MATERIAL	FINISH	SIZE A1 CAGE CODE DRAWING NO. C=6600132 SCALE 4:1 SHEET 6 OF 7 REV E7	RESTRICTED TO

REVISIONS				
P.	LTN.	DESCRIPTION	DATE	APVD.
-	-	SEE SHEET 1	-	-

PART NUMBER	ROWS	POWER		SIGNAL				POWER			
		P1	P2	1	2	3	4	P3	P4	P5	P6
1-6600132-2	D C B A	PS	PS	J	J	J	J	PS	PS	PS	PS
				F	K	F	K				
				G	G	G	G				
				S	S	S	S				
2P + 16S + 4P											

PART NUMBER	ROWS	POWER				SIGNAL						POWER			
		P1	P2	P3	P4	1	2	3	4	5	6	P5	P6	P7	P8
1-6600132-4	D C B A	PS	PS	PS	PS	J	J	J	J	J	J	PS	PS	PS	PS
						K	K	K	K	K	K				
						N	N	N	N	N	N				
						S	S	S	S	S	H				
4P + 24S + 4P															



THIS DRAWING IS A CONTROLLED DOCUMENT.		OWN: R. GRZYBOWSKI 13JUN05	<b>STE</b> TE Connectivity
DIMENSIONS: INCHES		CHK: M. PERCHERKE 13JUN05	
TOLERANCES UNLESS OTHERWISE SPECIFIED:		APVD: M. PERCHERKE	NAME: RIGHT ANGLE HEADER W/GUIDES ASSEMBLY
0 PLC ±.01		PRODUCT SPEC: 108-1973	MULTI-BEAM XL (DUAL-BEAM POWER)
1 PLC ±.01		APPLICATION SPEC: 114-13038	SIZE: A1
2 PLC ±.01		WEIGHT: -	CAGE CODE: -
3 PLC ±.005		CUSTOMER DRAWING	SCALE: 4:1
4 PLC ±.0020		RESTRICTED TO: -	SHEET: 7 OF 7
ANGLES: ±.2°		REV: E7	

## X-ON Electronics

Largest Supplier of Electrical and Electronic Components

*Click to view similar products for [Power to the Board](#) category:*

*Click to view products by [TE Connectivity](#) manufacturer:*

Other Similar products are found below :

[6450171-4](#) [6450552-7](#) [6600323-8](#) [6643429-1](#) [6646040-2](#) [6651939-1](#) [6766604-1](#) [120959-1](#) [1393557-2](#) [1393532-2](#) [1393532-3](#) [1393532-4](#)  
[1393557-1](#) [1600812-5](#) [1-6450861-2](#) [1744132-7](#) [1761122-1](#) [1766250-1](#) [1892109-1](#) [2-6450860-5](#) [2-6450870-0](#) [1-6450161-4](#) [1-6450850-6](#) [1-6450869-6](#) [1645526-2](#) [1-6600130-0](#) [2005243-2](#) [377-0020-11130](#) [TE34-12-16P-F0](#) [5-6450830-6](#) [5646956-4](#) [377-0080-11131A](#) [4-6450830-9](#)  
[4-6600333-3](#) [10125416-4050LF](#) [6600320-3](#) [3-6450860-5](#) [1888123-2](#) [6450166-1](#) [6643978-1](#) [6766605-1](#) [701-15-02109](#) [N11444](#) [6651938-1](#)  
[6450810-7](#) [46437-1112](#) [1-1589677-8](#) [5646956-5](#) [6450813-2](#) [6450129-4](#)