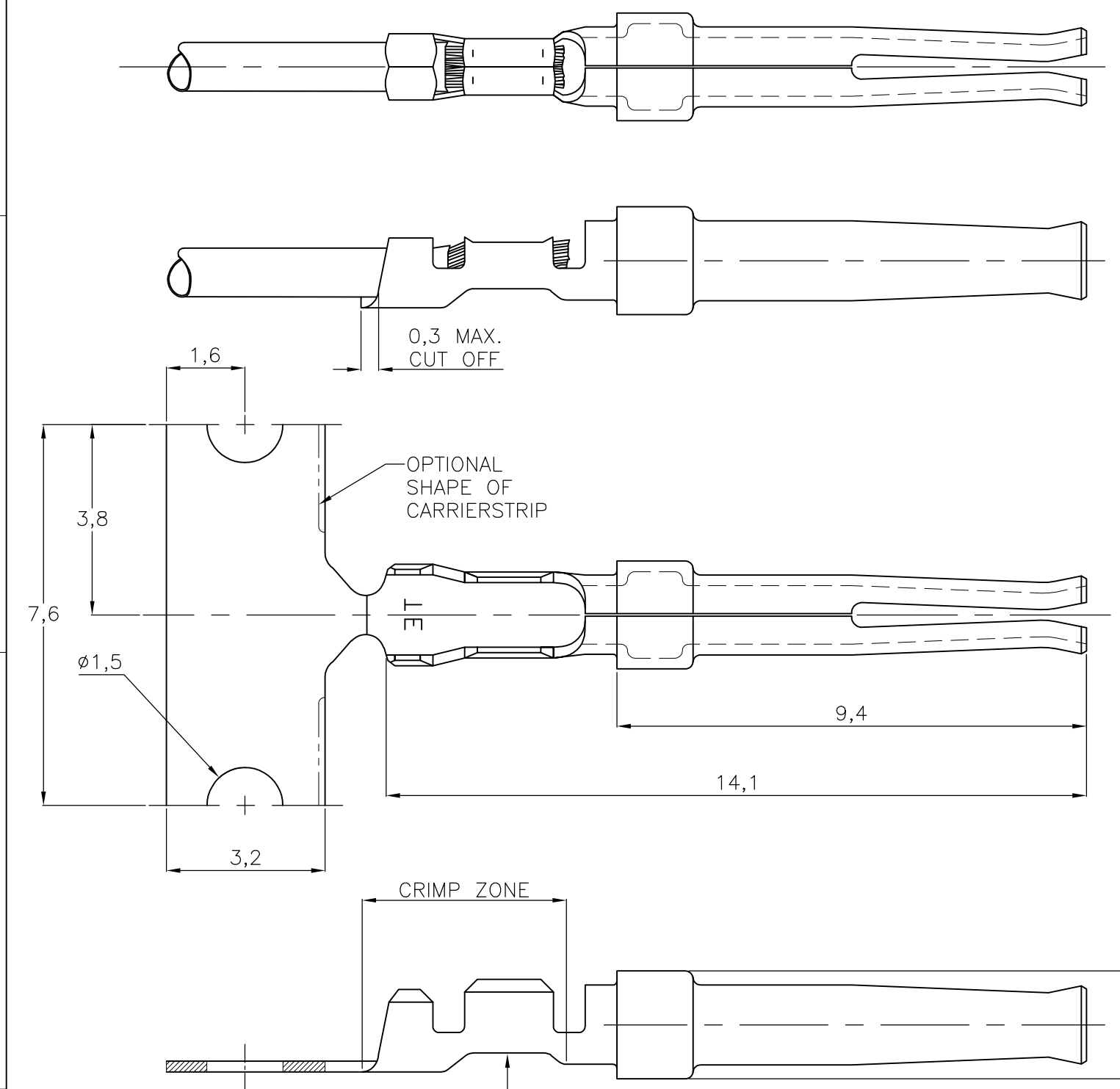


THIS DRAWING IS UNPUBLISHED. RELEASED FOR PUBLICATION  
 © COPYRIGHT - By - ALL RIGHTS RESERVED.

| LOC | DIST | REVISIONS |     |                           |           |     |      |
|-----|------|-----------|-----|---------------------------|-----------|-----|------|
| GP  | 00   | P         | LTR | DESCRIPTION               | DATE      | DWN | APVD |
|     |      | N         |     | REVISED PER ECO-11-020101 | 10APR2012 | CJV | CWR  |

NOTES:

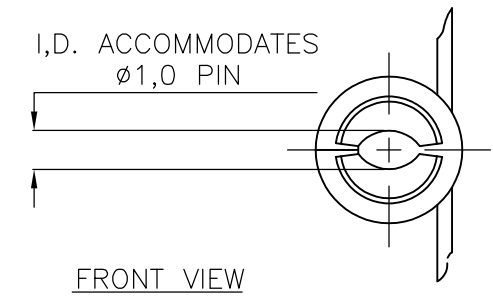
- 1 FOR MINI-APPLICATOR-12500 PCS REEL.
- 2 FOR REEL-FEED HAND TOOLING-500 PCS REEL.
- 3 FOR HAND TOOLING- LOOSE PIECE.
- 4. MATERIAL: PHOSPHORBRONZE.
- 5 FINISH:
  - Ni UNDERPLATING ALL OVER.
  - CONTACT AREA PLATING MEETS IEC-807-3 PERFORMANCE LEVEL 2.
  - CRIMP ZONE Sn PLATED.



WIRE RANGE: 24-20 AWG(0,56-0,20mm<sup>2</sup>)  
 INSUL. RANGE: 1,27-1,52 DIA

|                  |               |                             |               |
|------------------|---------------|-----------------------------|---------------|
| 5                | 166291-1      | 5-166051-1                  | 166051-1      |
| FINISH           | LOOSE-PIECE 3 | PART NUMBER 2               | PART NUMBER 1 |
| DWN              | -             | TE Connectivity             |               |
| CHK              | 21AUG08       |                             |               |
| APVD             | 21AUG08       | NAME                        |               |
| PRODUCT SPEC     | 108-40005     | SOCKET CONTACT, SIZE 20 DF. |               |
| APPLICATION SPEC | 114-10000     | SIZE                        | RESTRICTED TO |
| WEIGHT           | -             | CAGE CODE                   | DRAWING NO    |
| CUSTOMER DRAWING |               | A300779                     | C-166051      |
| SCALE            |               | NTS                         | SHEET 1 OF 1  |
| REV              |               | N                           |               |

|   |  |
|---|--|
| THIS DRAWING IS A CONTROLLED DOCUMENT.            |  |
| DIMENSIONING AND TOLERANCING PER ASME Y14.5M-2009 |  |
| DIMENSIONS:                                       | TOLERANCES UNLESS OTHERWISE SPECIFIED: |
| mm  |  |
| 0 PLC   | ± -                                    |
| 1 PLC   | ± 0,127                                |
| 2 PLC   | ± -                                    |
| 3 PLC   | ± -                                    |
| 4 PLC   | ± -                                    |
| ANGLES  | ± -                                    |
| MATERIAL  | FINISH                                 |
| -   | -                                      |



## X-ON Electronics

Largest Supplier of Electrical and Electronic Components

*Click to view similar products for [D-Sub Contacts](#) category:*

*Click to view products by [TE Connectivity](#) manufacturer:*

Other Similar products are found below :

[D02-22-26S-10000](#) [8656352067LF](#) [131A15029X](#) [132A11019X](#) [132J22039X](#) [132A11029X](#) [132A11049X](#) [1757912-1](#) [188582-000](#)  
[162A11889X](#) [1757913-1](#) [212558-1](#) [030-1955-000](#) [053744-0098](#) [053744-0099](#) [053745-0105](#) [053745-0111](#) [601098N003](#) [86303057NLF](#)  
[131A11019X](#) [162A11819X](#) [40-9854MP](#) [1-208778-5](#) [FC120N2](#) [MC7526D/AA](#) [MC8122D/AA](#) [FC4010D-15](#) [FC4006D](#) [121A05329A](#)  
[164C16669X](#) [86566620064LF](#) [C330-8997-101H](#) [131A13019X](#) [DLS3XS5AK40X](#) [09692825723](#) [030-1954-000](#) [L17DM53744207](#)  
[L17RRD1M11400](#) [030-1952-000](#) [1655496](#) [030-1953-000](#) [030-1953-030](#) [132C11039X](#) [132J15019X](#) [132C15019X](#) [131A10029X](#)  
[8638PSC2006LF](#) [8656453067LF](#) [86566520064LF](#) [L17DM537441](#)