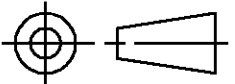


DO NOT SCALE
DIMENSIONS IN mm

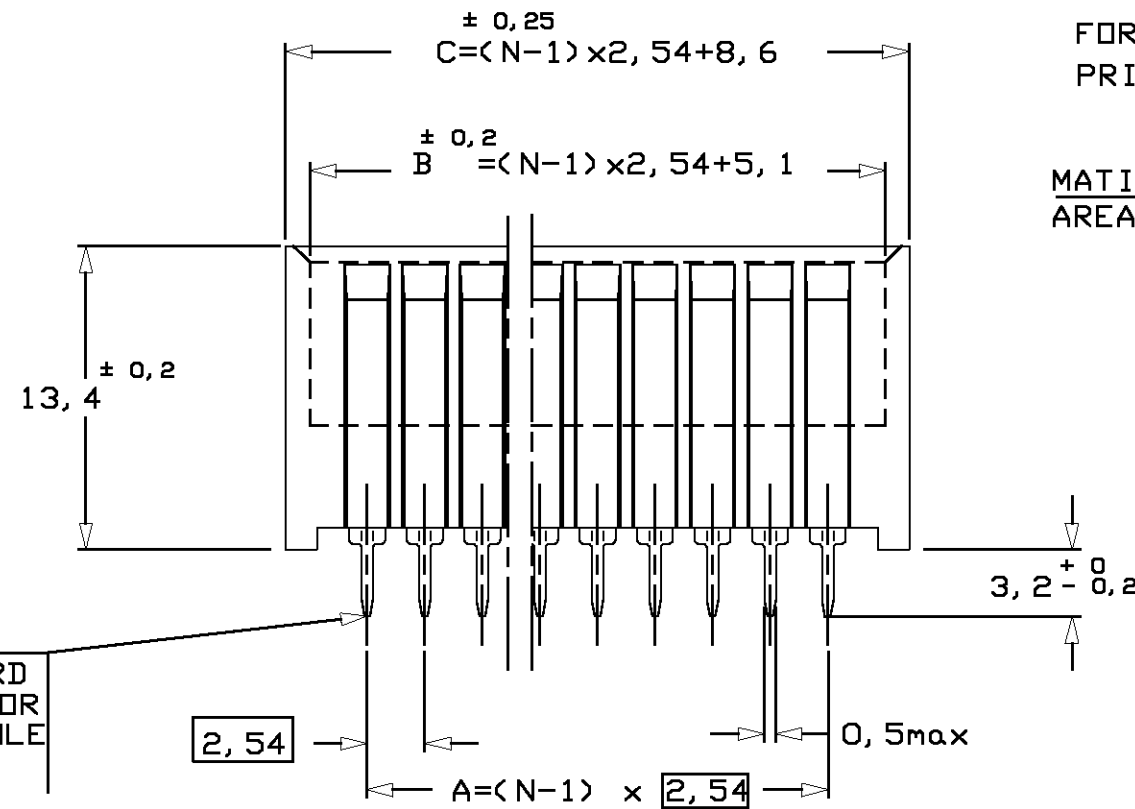
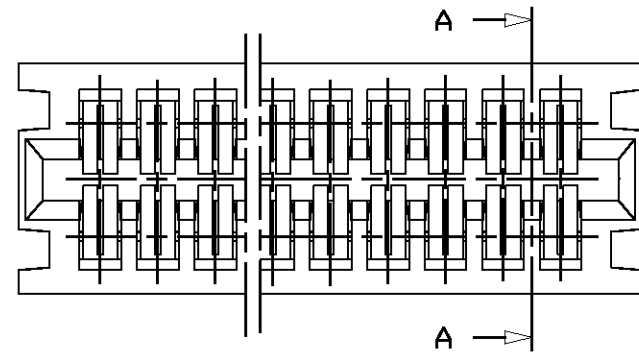
METRIC

THIRD ANGLE
PROJECTION



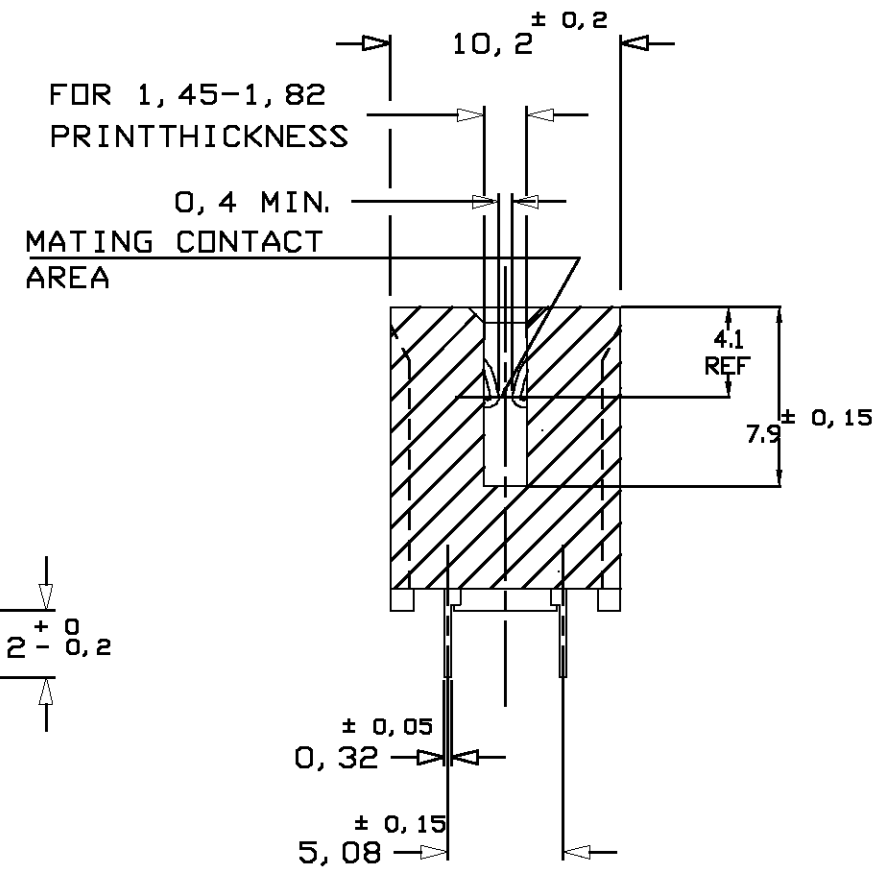
NOTES:

- 1 FOR TYCO P/N PLEASE SEE TABLE
- 2 FOR CALCULATING DIMENSIONS: TAKE NUMBER OF POSITIONS FOR EXAMPLE: 18 POSITIONS $C = (N-1) \times 2,54 + 8,6 = 51,78$
- 3 PRODUCT SPECIFICATION: 108-19041
- 4 PACKAGING: ON PLASTIC TUBES, BOXED.



BOARD TO BOARD
CONTACT POST FOR
0,8min DIA HOLE

SECTION A-A



CONTACT: 0,4µm MIN SELECTIVE GOLD PLTD ON MATING CONTACT AREA AND 3,0µm MIN TIN PLTD ON CONTACT POST, OVER 1,25µm MIN NI PLTD UNDERLAYER

HOUSING: THERMOPLASTIC POLYESTER 20% GF, UL94-V0 COLOUR GREEN CONTACT: PH. BRONZE H06

166087-...
(SEE TABLE)

CUSTOMER
DRAWING

tyco
Electronics

tyco Electronics AMP Italia S.p.A.
C.so F.lli Cervi, 15 - Collegno (TO)

FOR REFERENCE ONLY
WILL NOT BE UPDATED

THIS DRAWING IS UNPUBLISHED RELEASED FOR PUBLICATION JULY 1986

© COPYRIGHT 1986 BY AMP-HOLLAND B.V. ALL INTERNATIONAL RIGHTS RESERVED. AMP PRODUCTS MAY BE COVERED BY U.S. AND FOREIGN PATENTS AND/OR PATENTS PENDING.

18	43.18	48.28	51.78	1-166087-8
12	27.94	33.04	36.54	1-166087-2
7	15.24	20.34	23.84	166087-7
5	10.16	15.26	18.76	166087-5
4	7.62	12.72	16.22	166087-4
3	5.08	10.18	13.68	166087-3
POS.	DIM 'A'	DIM 'B'	DIM 'C'	TYCO P/N

K3	ET00-0162-04	D.C.	C.T.	16JUL2004
K2	ET00-0016-04	D.C.	C.T.	09FEB2004
K1	ET00-0115-03	D.C.	C.T.	04JUL2003
K	ET00-0068-03	P.B	D.C	9-5-03
J	-	-	-	12-6-89
LTR.	REVISION RECORD	DR.	CHK.	DATE

C. SOUSA	DATE	08-07-86
J. BROEKSTEEG	DATE	08-07-86
L. V. SOEST	DATE	09-07-86

WIRE RANGE	NAME	3, 4 5, 7, 12, 18 POS. AMP-EDGE CONN. , DUAL LOADED WITH B. T. B. CONTACTS
INSUL. RANGE	SIZE	A3
SHEET	DRAWING NO	C-166087
1 OF 1	REV. LTR.	K3

8 7 6 5 4 3 2 1

X-ON Electronics

Largest Supplier of Electrical and Electronic Components

Click to view similar products for [Standard Card Edge Connectors](#) category:

Click to view products by [TE Connectivity](#) manufacturer:

Other Similar products are found below :

[CR7E-30DB-3.96E\(72\)](#) [6364499-1](#) [6565204-6](#) [PKC-156](#) [1437274-4](#) [147889-1](#) [1489165-4](#) [EBT15622B2X](#) [1-582587-1](#) [284-0102-12100](#)
[286-0052-12101A](#) [306022901000000](#) [307-012-502-202](#) [307-056-520-300](#) [2129318-1](#) [245-062-520-350](#) [287-0032-12101](#) [306-028-525-102](#)
[307-072-526-202](#) [345-060-559-303](#) [392-008-559-201](#) [534671-1](#) [341-240-317](#) [345-044-500-300](#) [346-240-318](#) [395-100-524-300](#) [09-07-2032](#)
[10035388-802LF](#) [10115859-011LF](#) [10122859-009LF](#) [10127905-B04B24BLF](#) [530555-1](#) [5-678046-1](#) [73726-0005](#) [66308-1](#) [1-1437275-6](#)
[PEC-07-02-T-S-A](#) [346-014-520-801](#) [307-048-502-202](#) [CE100F22-9-C](#) [CE100F26-7-C](#) [CE100F28-3-D](#) [CE156F18-9-C](#) [CE156F22-5-D](#)
[CE156F22-9-C](#) [CT100F22-2-D](#) [CT100F22-3-D](#) [CT100F24-2-D](#) [CT100F24-3-D](#) [CT100F24-6-C](#)