

SAFETY ORGANIZATION(S)

THIS FILTER HAS BEEN FORMALLY RECOGNIZED, CERTIFIED OR APPROVED BY THE LISTED AGENCY. THEREFORE, ALL TEST/REQUIREMENTS SPECIFIED IN THE LATEST REVISION OF THE FOLLOWING AGENCY STANDARDS HAVE BEEN MET.

UL 544  
 CSA 22.2, NO. 0, 0.4, 8  
 VDE 0565-3

OPERATING SPECIFICATIONS:

LINE VOLTAGE/CURRENT:  
 10 AMP., 120/250 VAC  
 8 AMP./40°C, 250 VAC  
 50-60Hz  
 LINE FREQUENCY:  
 MAX. LEAKAGE CURRENT, EACH  
 LINE TO GROUND  
 2µA @ 120V 60Hz  
 5µA @ 250V 50Hz  
 OPERATING AMBIENT TEMP. RANGE:  
 -10°C TO +40°C @ RATED CURRENT, I<sub>r</sub>

IN AN AMBIENT, T<sub>a</sub>, HIGHER THAN 40°C, THE MAXIMUM OPERATING CURRENT, I<sub>o</sub>, IS AS FOLLOWS:

$$I_o = I_r \sqrt{\frac{85-T_a}{45}}$$

RELIABILITY SPECIFICATIONS:

STORAGE TEMPERATURE:  
 -25°C TO +85°C  
 HUMIDITY:  
 21 DAYS @ 40°C 95% RH  
 CURRENT OVERLOAD TEST:  
 6 TIMES RATED CURRENT FOR 8 SECONDS

TEST SPECIFICATIONS:

INDUCTANCE:  
 CAPACITANCE, (MEASURED @ 1 KHz, 0.25 VAC MAX., 25°C ±1°C)  
 L-9.5mH NOMINAL  
 N-9.57mH NOMINAL  
 LINE TO LINE:  
 1.77µF ±20%

DISCHARGE RESISTOR:  
 LINE/GROUND AND LINE/LINE  
 INSULATION RESISTANCE  
 (W/O DISCHARGE RESISTOR)  
 165KΩ  
 6000 MΩ (MIN) AT 100 VDC  
 20°C AND 50% RH

RECOMMENDED RECEIVING INSPECTION HIPOTI.

2250 VDC FOR 1 MINUTE  
 1450 VDC FOR 1 MINUTE

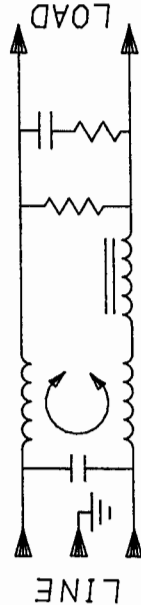
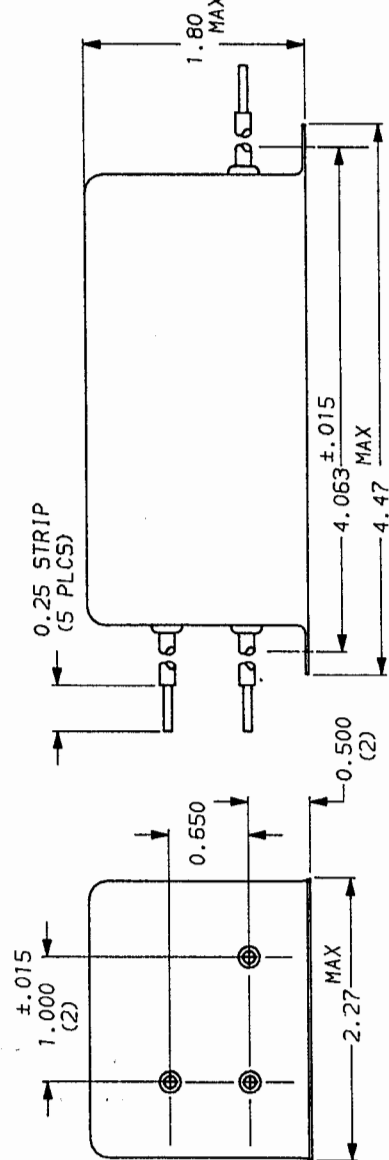
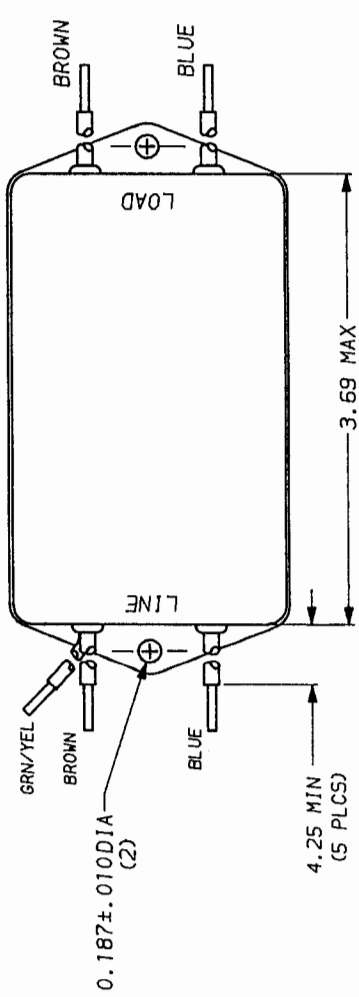
FILTER APPROVAL:  
 THE BEST WAY TO SELECT AND QUALIFY A FILTER IS FOR YOUR ENGINEERING TO TEST THE UNIT IN YOUR EQUIPMENT.

TOLERANCE EXCEPT AS NOTED  
 DECIMAL: .XXX .XX .X ANGLES  
 ENGLISH: ±.025  
 METRIC: ±

MATERIAL: AS SUPPLIED

FINISH:

This document is proprietary to CORCOM INC. and is not to be reproduced nor used for manufacturing purposes except on CORCOM's order or prior written consent.



50n - 50n (MINIMUM) INSERTION LOSS												
FREQUENCY MHz	.01	.02	.05	.15	.50	1	2	5	8	10	20	30
COMMON	9	15	24	36	42	34	22	11	14	12	8	8
DIFF.	7	8	17	52	70	70	65	65	55	40	35	



POWER LINE FILTER

## X-ON Electronics

Largest Supplier of Electrical and Electronic Components

*Click to view similar products for [Power Line Filters](#) category:*

*Click to view products by [TE Connectivity](#) manufacturer:*

Other Similar products are found below :

[6609019-3](#) [6609026-5](#) [6609030-6](#) [6609973-2](#) [D30A](#) [7-1609090-5](#) [F2810](#) [F4456A](#) [F7382Z](#) [F7863Z](#) [FAHAV3100ZC000](#) [806276](#) [FN2020B-1-06](#) [FN2080B-10-06](#) [FN2410H-32-33](#) [FN2410H-80-34](#) [FP144](#) [FS4153-20-06](#) [FS4353-500-99](#) [12-MMB-030-11-D](#) [DB4-393](#) [15811T200](#) [20B1](#) [LC630](#) [2B1](#) [1609080-2](#) [1609993-8](#) [1-6609070-1](#) [F1100AA02](#) [F1150CC10](#) [F1500CA10](#) [F1500CA15](#) [F4041Z](#) [F7585E](#) [1B1](#) [FN2070A-16-06](#) [FN2090A-20-06](#) [FN2090B-12-06](#) [FN2090Z-1-06](#) [FN2410H-25-33](#) [FN2410H-60-34](#) [FN2410H-8-44](#) [FN2412H-8-44](#) [FN323B-6-01](#) [FN610R-3-06](#) [20EHQ7](#) [20EHZ7](#) [20K1](#) [30B6](#) [3K1](#)