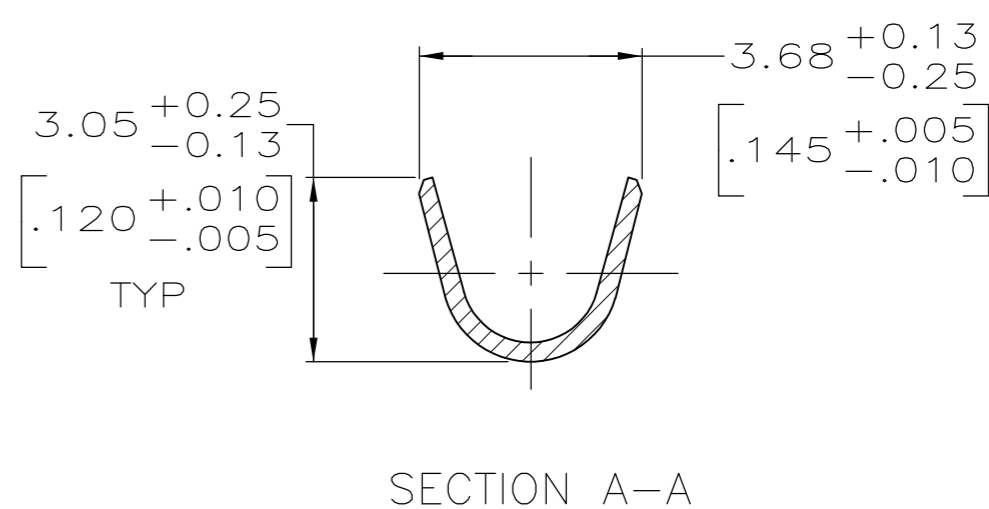
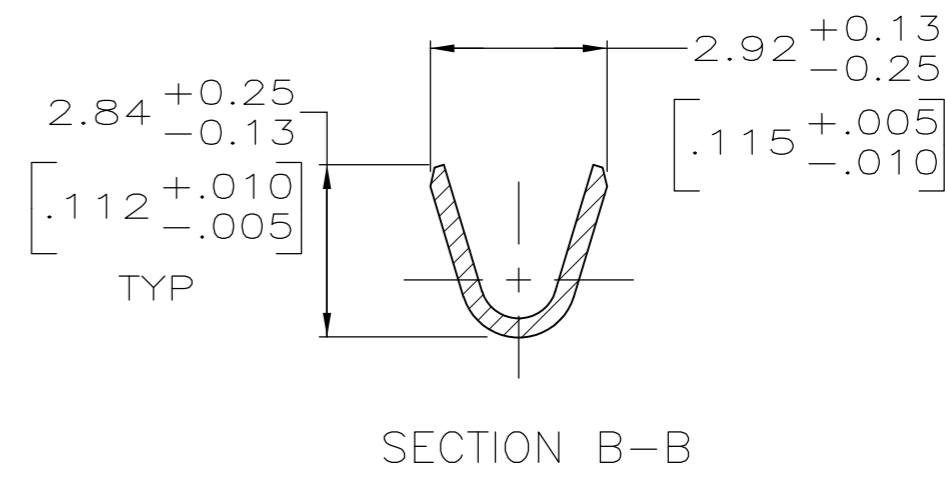
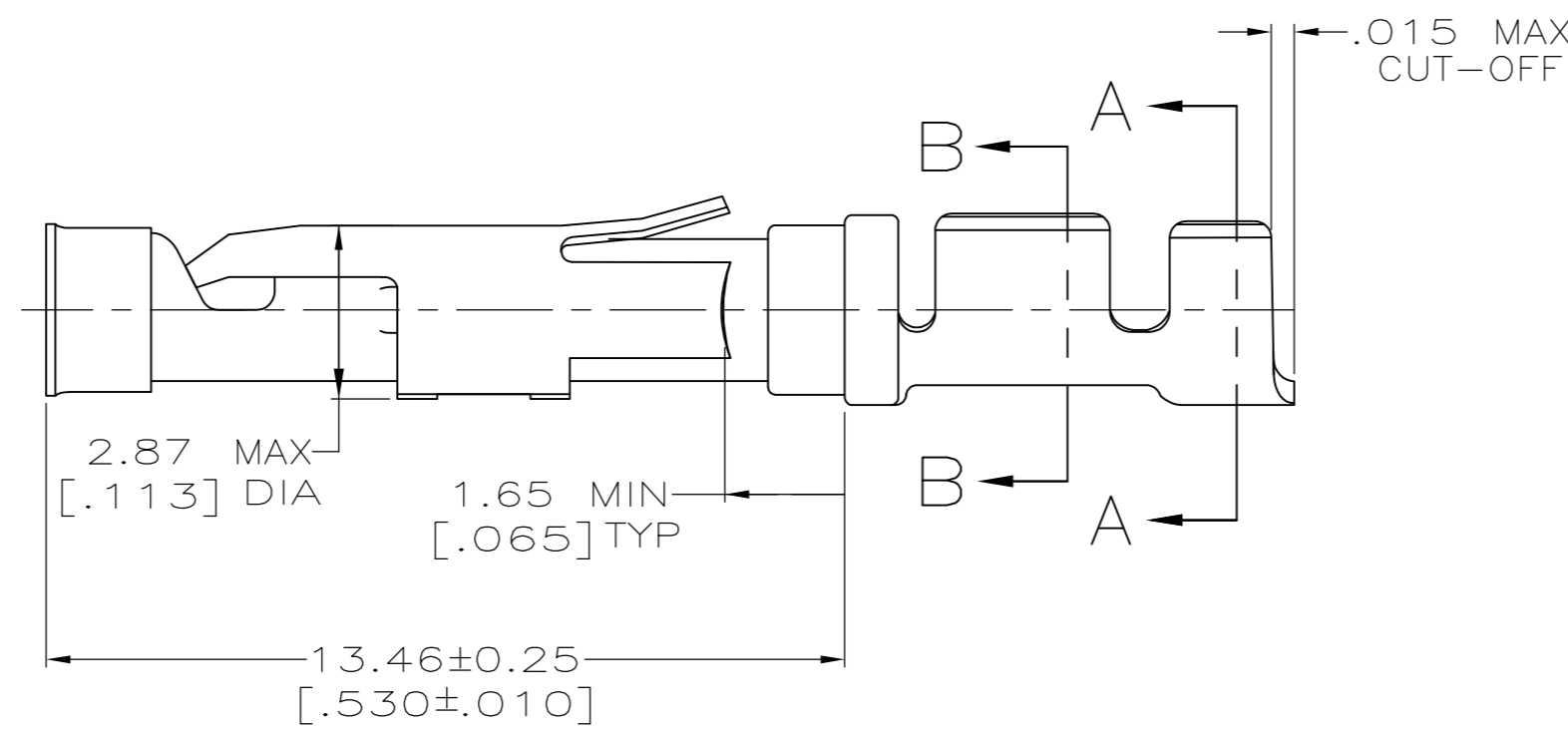
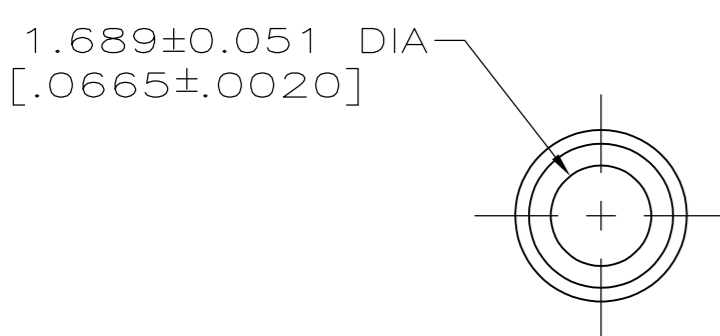
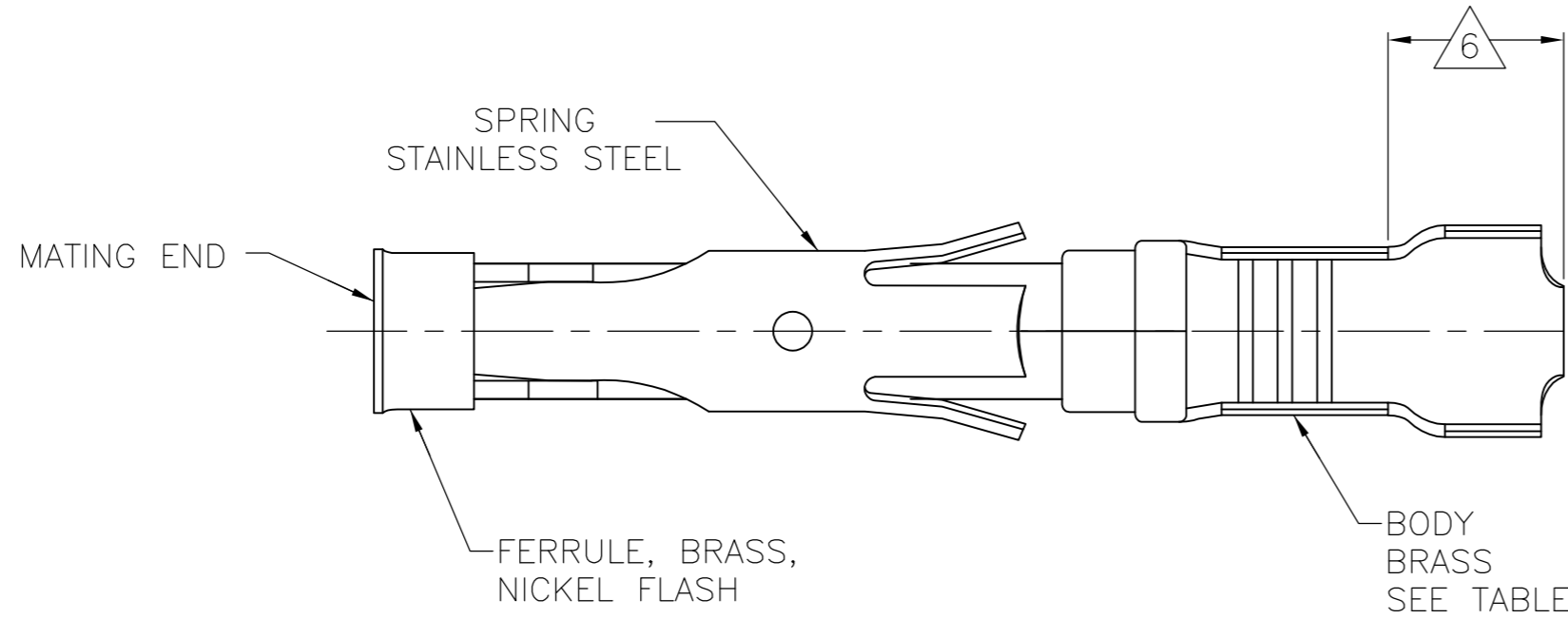


THIS DRAWING IS UNPUBLISHED. RELEASED FOR PUBLICATION
 © COPYRIGHT - By - ALL RIGHTS RESERVED.

LOC	DIST	REVISIONS			
P	LTR	DESCRIPTION	DATE	DWN	APVD
FT	47	E2	REVISED PER ECO-15-003583	07MAR2015	NK MZ



- 1 0.76µm [.000030] MIN GOLD PER MIL-G-45204 ON MATING END FOR A LENGTH OF 5.08 [.200] MIN WITH 1.27µm [.000050] MIN MATTE TIN PLATE IN WIRE CRIMP AREA, BOTH OVER 0.76µm [.000030] MIN NICKEL PER QQ-N-290.
- 2 1.27µm [.000050] MIN TIN-LEAD PER MIL-T-10727 OVER 0.76µm [.000030] MIN NICKEL PER QQ-N-290.
- 3 0.76µm [.000030] MIN GOLD PER MIL-G-45204 ON MATING END FOR A LENGTH OF 5.08 [.200] MIN WITH A UNIFORM GRADIENT TO 0.25µm [.000010] MIN GOLD PER MIL-G-45204 ON THE REMAINDER OVER 0.76µm [.000030] MIN NICKEL PER QQ-N-290.
- 4 0.38µm [.000015] MIN GOLD PER MIL-G-45204 ON MATING END FOR A LENGTH OF 5.08 [.200] MIN WITH 1.27µm [.000050] MIN MATTE TIN PLATE IN WIRE CRIMP AREA, BOTH OVER 0.76µm [.000030] MIN NICKEL PER QQ-N-290.
- 5 0.38µm [.000015] MIN GOLD PER MIL-G-45204 ON MATING END FOR A LENGTH OF 5.08 [.200] MIN, 1.27µm [.000050] MIN TIN-LEAD PER MIL-T-10727 FOR A LENGTH OF 5.69 [.224] MIN ON OPPOSITE END, BOTH OVER 1.27µm [.000050] MIN NICKEL PER QQ-N-290 ON ENTIRE CONTACT.
- 6 GOLD PLATING NOT REQUIRED IN THIS AREA.
- 7 ALL CONTACTS ON THIS DRAWING CAPABLE OF BE USED WITH:
 A WIRE RANGE OF 18-16 AWG WITH AN INSULATION RANGE OF Ø2.03-2.54 [.080-.100] OR
 A WIRE SIZE OF 0.75mm² WITH AN INSULATION RANGE OF Ø1.35-1.65 [.053-.065] OR
 A WIRE SIZE OF 1.0mm² WITH AN INSULATION RANGE OF Ø1.45-1.80 [.057-.071]
- 8 1.27µm [.000050] MIN TIN PER MIL-T-10727 OVER 0.76µm [.000030] MIN NICKEL PER QQ-N-290.

SUPERCEDED BY 66101-3

PACKAGING TYPE	BODY	STRIP P/N	PART NO
SMALL PACK	8	1-66100-9 OR 2-66100-0	2-66101-0
STANDARD	8	1-66100-9 OR 2-66100-0	1-66101-9
SMALL PACK	1	66100-4	1-66101-8
SMALL PACK	4	66100-3	1-66101-7
SMALL PACK	2	66100-2	1-66101-6
SMALL PACK	3	66100-1	1-66101-5
STANDARD	5	1-66100-7	1-66101-4
STANDARD	1	66100-4	66101-4
STANDARD	4	66100-3	66101-3
STANDARD	2	66100-2	66101-2
STANDARD	3	66100-1	66101-1

THIS DRAWING IS A CONTROLLED DOCUMENT.		DWN 05/29/92	STE TE Connectivity			
DIMENSIONS: mm [INCHES]		L.SIPE 6-11-92				
TOLERANCES UNLESS OTHERWISE SPECIFIED:		CHK W.LENKER	NAME G.STEINHAUER			
0 PLC ± -		APVD 7-7-92				
1 PLC ± -		PRODUCT SPEC	SOCKET ASSEMBLY, LOOSE PIECE, TYPE III+			
2 PLC ± 0.13 [.005]		APPLICATION SPEC				
3 PLC ± -		WEIGHT -	SIZE A2	CAGE CODE 00779	DRAWING NO C=66101	RESTRICTED TO -
4 PLC ± -		FINISH SEE CALLOUTS	SCALE 8:1	SHEET 1 OF 1	REV E2	
MATERIAL SEE CALLOUTS		CUSTOMER DRAWING				

X-ON Electronics

Largest Supplier of Electrical and Electronic Components

Click to view similar products for [Standard Circular Contacts](#) category:

Click to view products by [TE Connectivity](#) manufacturer:

Other Similar products are found below :

[RC16M23J](#) [133780-1](#) [RM20M13D28](#) [RM24M9D28](#) [RMMX110-1D28](#) [MS3474W10-6P L/C](#) [ELVP16100E](#) [164-901-CD](#) [EN3545007SCE](#)
[BV002BSQ20049CZ](#) [BV002SSQ160404CZ](#) [1900ND05S1B00B](#) [192900-0718](#) [166566-1](#) [1900ND04S1X00D](#) [ST-JL05-16S-C3-100](#) [ST-JL05-20S-C1-100](#) [ST-JL05-20S-C2-100](#) [T01-CRIMP-S03](#) [APK-SA16A07-002](#) [27963-15T12](#) [CONT-JL05-08S-C2-10](#) [CONT-JL05-12S-C1-10](#)
[RC16M-23T](#) [RFD26L-1D28](#) [BV002ASJ16049CW](#) [JN1-22-20S-R-PKG100](#) [031-50213](#) [031-50565](#) [031-50794](#) [SJS861301M](#) [ST-JL05-16S-C1-100](#) [ST-JL05-20P-C1-100](#) [82911466K](#) [192991-0087](#) [192900-0570](#) [44-100-1414P-1000-101](#) [T3P16FC3LZ](#) [ST-JL05-16S-C2-3500](#) [ZP-4016-10NF](#) [CONT-JL05-12P-C1-10](#) [RM20M12G8D28](#) [031-50676](#) [12115010110](#) [RJFTVC2MG](#) [CAP-DACMDPC2](#) [031-50675-002](#) [CAP-DD1FDPC2](#) [CAP-DACMDPC1](#) [031-50966-010](#)