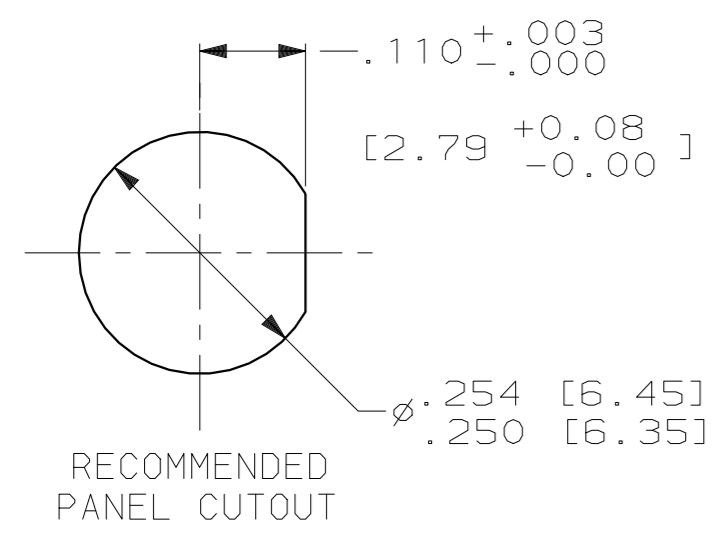
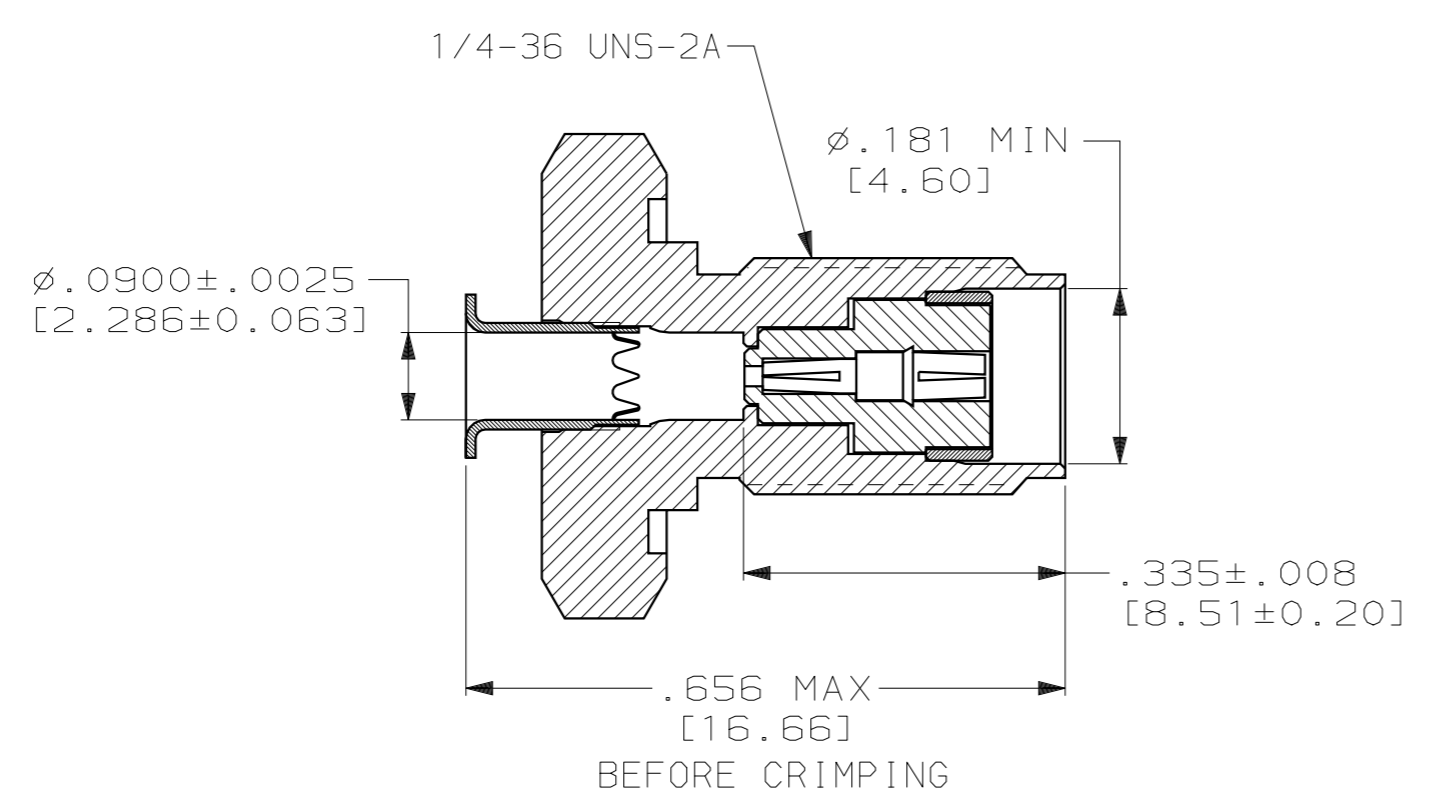
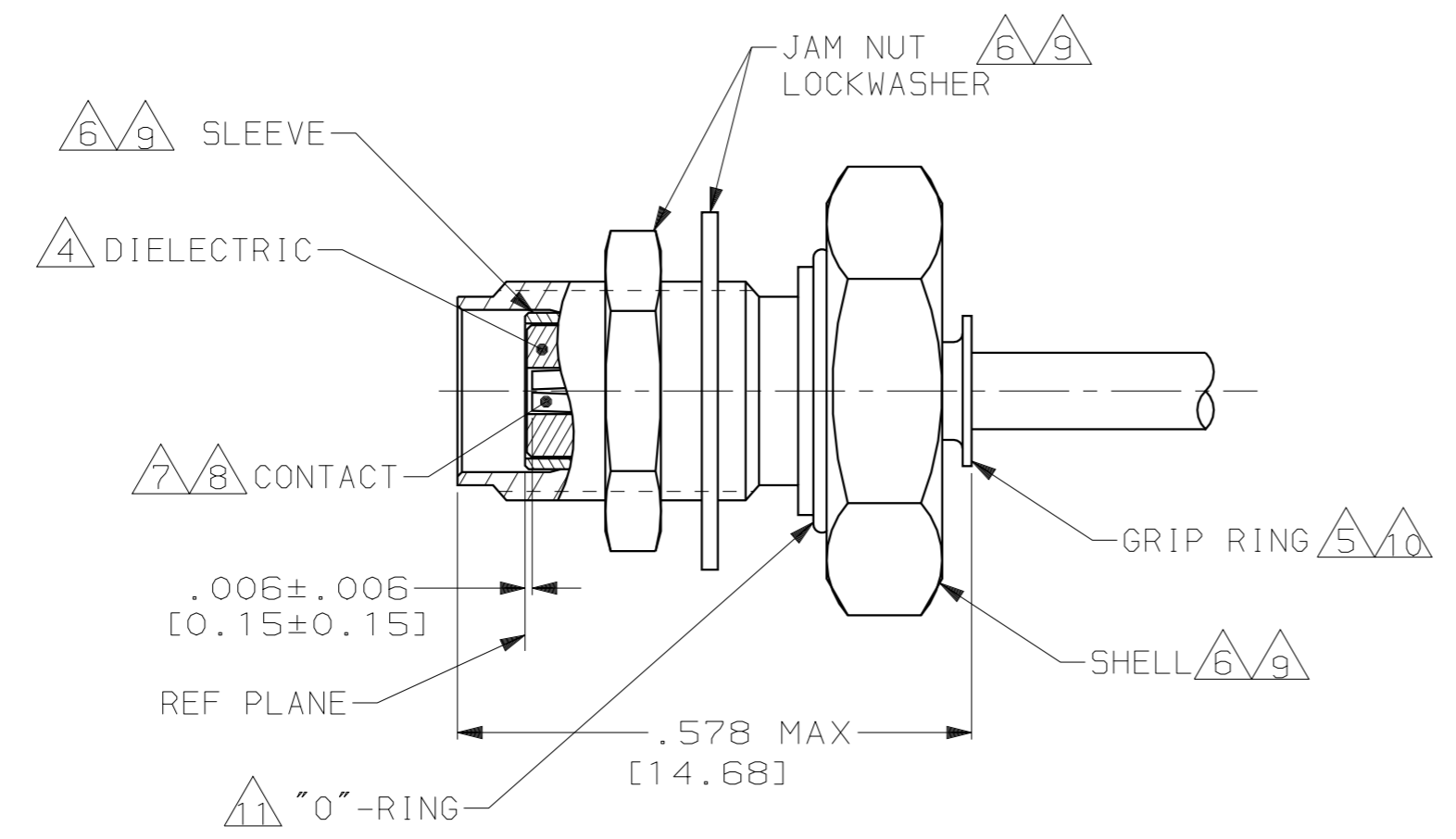
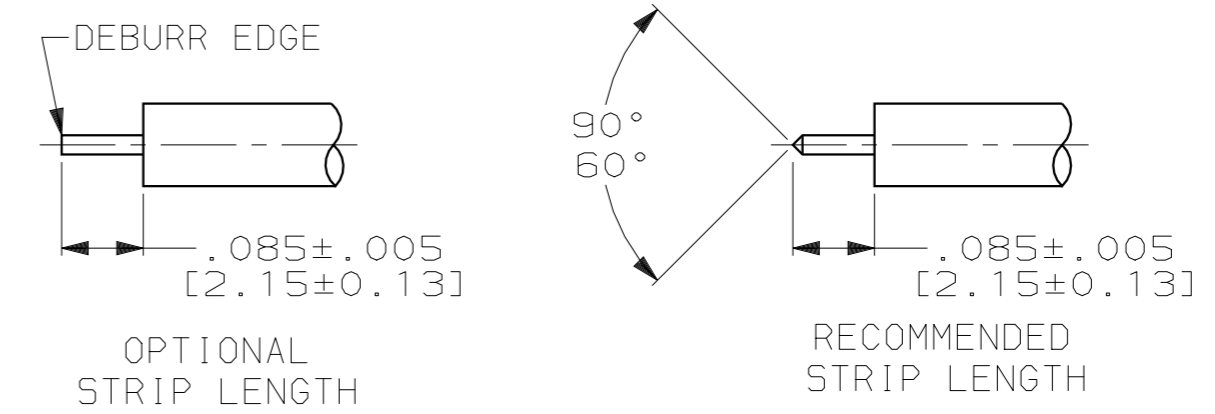


THIS DRAWING IS UNPUBLISHED. RELEASED FOR PUBLICATION  
 © COPYRIGHT 19 BY AMP INCORPORATED. ALL RIGHTS RESERVED.

LOC	DIST	REVISIONS					
		P	LTR	DESCRIPTION	DATE	DWN	APVD
DF	XO	0		RELEASED PER OH14-0479-04	7-15-04	CT	FB



- FOR USE WITH: RG-405/U .086 [2.18] SEMI-RIGID CABLE.
- SEE INSTRUCTION SHEET 408-6788.
- .500 [12.70] MIN LENGTH OF STRAIGHT CABLE REQUIRED TO APPLY THE CONNECTOR.
- MAT'L: PTFE PER MIL-P-19468.
- MAT'L: BRASS PER MIL-C-50.
- MAT'L: STAINLESS STEEL PER ASTM-A-582.
- MAT'L: BERYLLIUM COPPER PER ASTM-B-196.
- FINISH: GOLD PLATED PER MIL-G-45204.
- FINISH: PASSIVATION PER QQ-P-35.
- FINISH: NICKEL PLATED PER QQ-N-290.
- MAT'L: SILICONE RUBBER PER ZZ-R-765A, CLASS 2B.



1663263-1  
PART NO.

THIS DRAWING IS A CONTROLLED DOCUMENT.		DWN C.C. THOMAS 7-15-04	<b>tyco</b> Electronics	TYCO Electronics Harrisburg, PA 17105-3608	
DIMENSIONS: INCHES [mm]		CHK F. BLASICK 7-15-04		NAME	
TOLERANCES UNLESS OTHERWISE SPECIFIED:		APVD F. BLASICK 7-15-04	PRODUCT SPEC		
0 PLC ±-		108-12055			
1 PLC ±-		APPLICATION SPEC			
2 PLC ±-		SIZE			
3 PLC ±-		CAGE CODE			
4 PLC ±-		DRAWING NO			
ANGLES ±-		RESTRICTED TO			
MATERIAL SEE CALLOUTS		FINISH SEE CALLOUTS		WEIGHT	
		CUSTOMER DRAWING		SCALE	
		A2 00779		SHEET 1 OF 1	
		1663263		REV 0	

## X-ON Electronics

Largest Supplier of Electrical and Electronic Components

*Click to view similar products for [RF Connectors / Coaxial Connectors](#) category:*

*Click to view products by [TE Connectivity](#) manufacturer:*

Other Similar products are found below :

[R125315120](#) [8915-1511-000](#) [89674-0827](#) [5916-1103-603](#) [0106-001-000](#) [6-0001-3](#) [6001-7071-019](#) [6002-7051-003](#) [6002-7551-202](#) [6059674-1](#) [619550-1](#) [630059-000](#) [M39012/25-0021](#) [M39012/79-3008](#) [M39030/3-01N](#) [M39030/3-03N](#) [M3933/25-29N](#) [M3933/25-36N](#) [6500-7071-046](#) [6501-1071-002](#) [M83723/72W24576](#) [M83723/72W2457N](#) [6769](#) [CX050L2AQ](#) [7002-1541-010](#) [7002-1572-002](#) [7003-1572-002](#) [7004-1512-000](#) [7009-1511-004](#) [7010-1511-000](#) [7029-1511-060](#) [7101-1541-010](#) [7101-1571-002](#) [7105-1521-002](#) [7145-1521-002](#) [7209-1511-011](#) [7210-1511-012](#) [7210-1511-015](#) [7210-1511-019](#) [7210-1511-040](#) [7225-1512-050](#) [7242-1511-000](#) [73137-5015](#) [73251-0111](#) [73251-0672](#) [73276-1501](#) [73366-0013](#) [73404-2300](#) [73413-6080](#) [734151610](#)