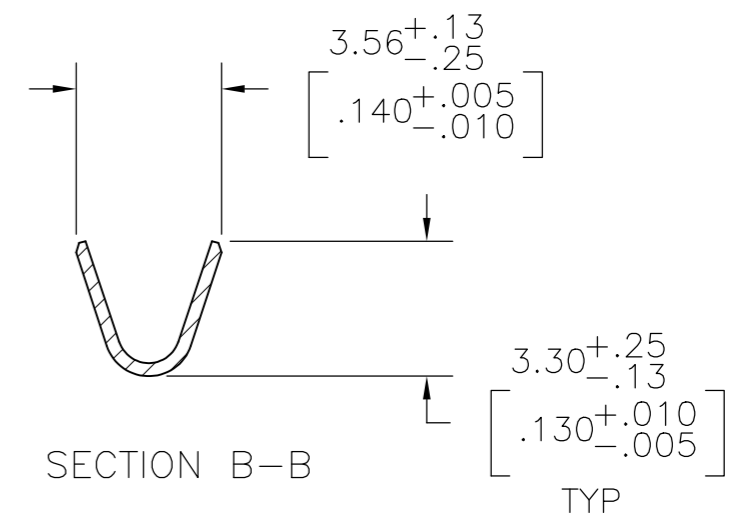
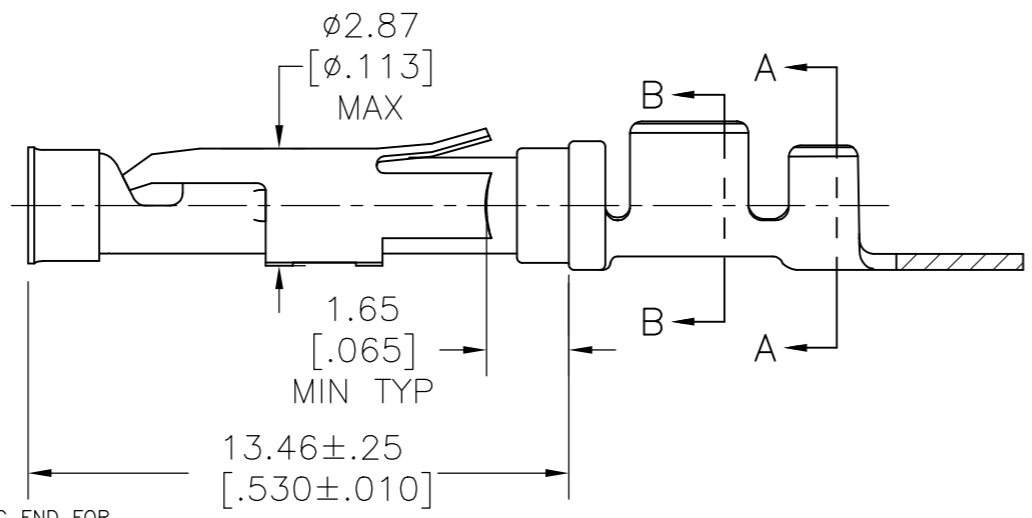
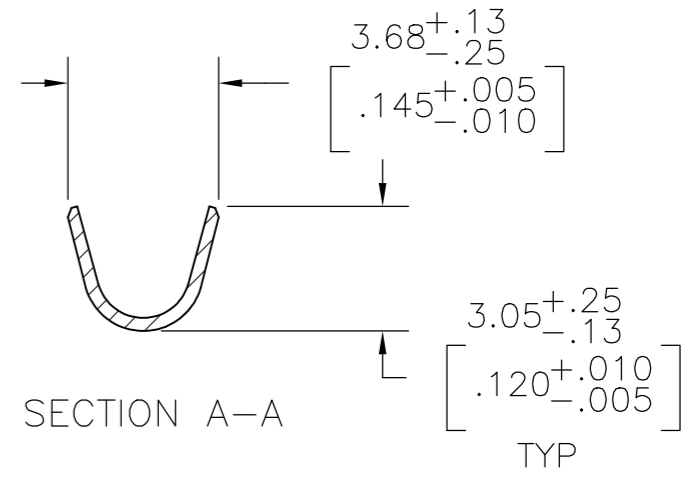
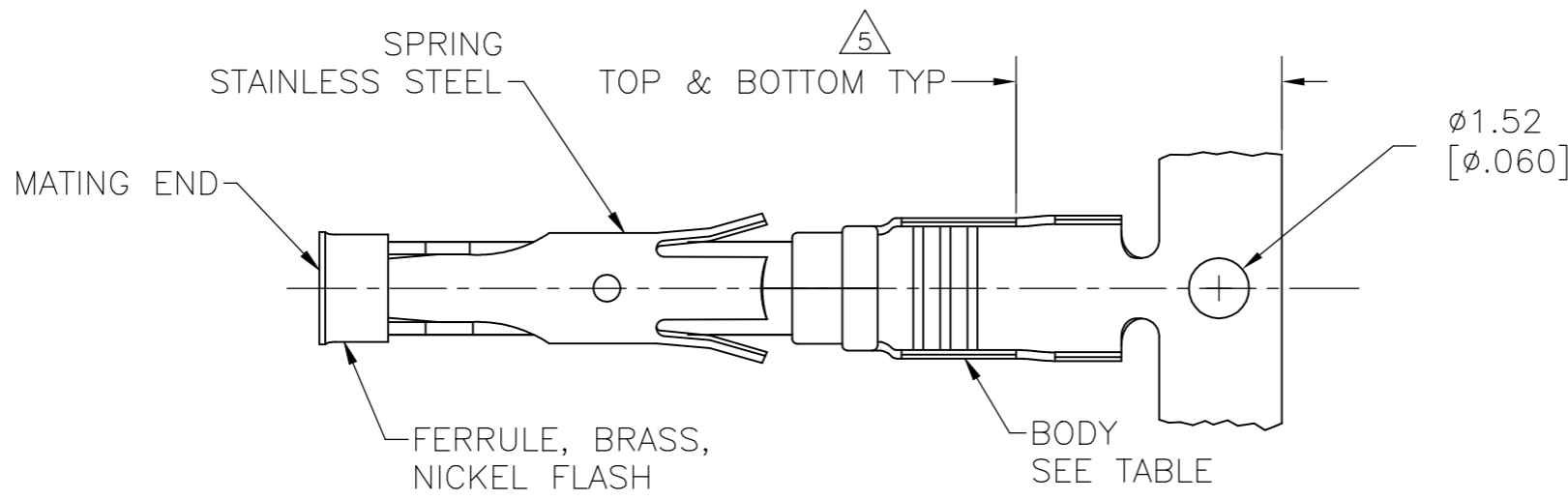


THIS DRAWING IS UNPUBLISHED. RELEASED FOR PUBLICATION
 © COPYRIGHT - By - ALL RIGHTS RESERVED.

REVISIONS					
P	LTR	DESCRIPTION	DATE	DWN	APVD
AG		REVISED PER ECO-12-012320	04JUL12	KH	MZ
AH		REVISED PER ECO-16-017885	06OCT2017	RS	MZ
AJ		REVISED PER ECO-18-008406	01JUN2018	RS	MZ



Ø1.689±.050
 [Ø.0665±.0020]

- 1 0.76µm [.000030] MIN GOLD PER MIL-G-45204 ON MATING END FOR A LENGTH OF 5.08 [.200] MIN WITH GOLD FLASH ON THE REMAINDER OVER 0.76µm [.000030] MIN NICKEL PER QQ-N-290.
- 2 1.27µm [.000050] MIN TIN-LEAD PER MIL-T-10727 OVER 0.76µm [.000030] MIN NICKEL PER QQ-N-290.
- 3 0.76µm [.000030] MIN GOLD PER MIL-G-45204 ON MATING END FOR A LENGTH OF 5.08 [.200] MIN WITH A UNIFORM GRADIENT TO 0.25[.000010] MIN GOLD PER MIL-G-45204 ON THE REMAINDER OVER 0.76µm [.000030] MIN NICKEL PER QQ-N-290.
- 4 0.38µm [.000015] MIN GOLD PER MIL-G-45204 ON MATING END FOR A LENGTH OF 5.08 [.200] MIN WITH 1.27µm [.000050] MIN MATTE TIN PLATE IN WIRE CRIMP AREA, BOTH OVER 0.76µm [.000030] MIN NICKEL PER QQ-N-290.
- 5 GOLD PLATING NEED NOT APPEAR IN THIS AREA.
- 6 REVERSE REELED FOR MINI-APPLICATOR.
- 7 WIRE RANGE 14-18 AWG. INSULATION RANGE 2.03[.080]-2.54[.100].
- 8 0.38µm [.000015] MIN GOLD PER MIL-G-45204 ON MATING END FOR A LENGTH OF 5.08 [.200] MIN, 1.27µm [.000050] MIN TIN-LEAD PER MIL-T-10727 FOR A LENGTH OF 5.69 [.224] MIN ON OPPOSITE END, BOTH OVER 1.27µm [.000050] MIN NICKEL PER QQ-N-290 ON ENTIRE CONTACT.
- 9 1.27µm [.000050] MIN TIN PER MIL-T-10727 OVER 0.6µm [.000030] MIN NICKEL PER QQ-N-290.
- 10 2.54µm [.000100] MIN SILVER OVER 0.76µm [.000030] MIN NICKEL PER QQ-N-290.
- 11 OBSOLETE PARTS: OBSOLETE CIS STREAMLINING PER D.RENAUD/D.SINISI
- 12 0.76µm [.000030] MIN GOLD PER MIL-G-45204 ON MATING END FOR A LENGTH OF 5.08 [.200] MIN WITH 1.27µm [.000050] MIN MATTE TIN PLATE IN WIRE CRIMP AREA, BOTH OVER 0.76µm [.000030] MIN NICKEL PER QQ-N-290.

OBSELETE	6	10	BRASS	-	2-66358-3
OBSELETE	6	9	BRASS	-	2-66358-2
	6	9	CU-NI ALLOY	1-66360-6	2-66358-1
	6	2	CU-NI ALLOY	1-66360-5	2-66358-0
	6	1	CU-NI ALLOY	1-66360-4	1-66358-9
	6	9	PHOSPHOR BRONZE	-	1-66358-8
STANDARD	6	9	BRASS	1-66360-2	1-66358-7
	6	9	BRASS	1-66360-2	1-66358-6
OBSELETE	6	8	BRASS	66360-9	1-66358-5
SUP BY 1-66358-6	6	2	BRASS	-	1-66358-4
	6	1	PHOSPHOR BRONZE	66360-8	1-66358-3
OBSELETE	6	2	PHOSPHOR BRONZE	66360-7	1-66358-2
	6	12	BRASS	66360-4	1-66358-0
	6	4	BRASS	66360-3	66358-9
	6	2	BRASS	66360-2	66358-6
	6	3	BRASS	66360-1	66358-5
STANDARD	6	12	BRASS	66360-4	66358-4
STANDARD	6	4	BRASS	66360-3	66358-3
STANDARD	6	2	BRASS	66360-2	66358-2
STANDARD	6	3	BRASS	66360-1	66358-1
REELING			BODY FINISH	BODY MATERIAL	LOOSE PIECE REF
					PART NO.

THIS DRAWING IS A CONTROLLED DOCUMENT. DWN V. FURLER 23JUL2003
 CHK G. STEINHAUER 23JUL03
 APVD G. STEINHAUER 23JUL03

TE Connectivity

SOCKET ASSEMBLY, .062, TYPE III+

SIZE A2 CAGE CODE 00779 DRAWING NO C-66358 RESTRICTED TO

MATERIAL SEE CALLOUTS FINISH SEE CALLOUTS WEIGHT - SCALE 8:1 SHEET 1 of 1 REV AJ

CUSTOMER DRAWING

X-ON Electronics

Largest Supplier of Electrical and Electronic Components

Click to view similar products for [Standard Circular Contacts](#) category:

Click to view products by [TE Connectivity](#) manufacturer:

Other Similar products are found below :

[RC16M23J](#) [133780-1](#) [RM20M13D28](#) [RM24M9D28](#) [RMMX110-1D28](#) [MS3474W10-6P L/C](#) [ELVP16100E](#) [164-901-CD](#) [EN3545007SCE](#)
[BV002BSQ20049CZ](#) [BV002SSQ160404CZ](#) [1900ND05S1B00B](#) [166566-1](#) [1900ND04S1X00D](#) [ST-JL05-16S-C3-100](#) [ST-JL05-20S-C1-100](#)
[ST-JL05-20S-C2-100](#) [T01-CRIMP-S03](#) [APK-SA16A07-002](#) [27963-15T12](#) [CONT-JL05-08S-C2-10](#) [CONT-JL05-12S-C1-10](#) [RC16M-23T](#)
[RFD26L-1D28](#) [BV002ASJ16049CW](#) [JN1-22-20S-R-PKG100](#) [031-50213](#) [031-50565](#) [031-50794](#) [SJS861301M](#) [ST-JL05-16S-C1-100](#) [ST-](#)
[JL05-20P-C1-100](#) [82911466K](#) [192991-0087](#) [192900-0570](#) [44-100-1414P-1000-101](#) [T3P16FC3LZ](#) [ST-JL05-16S-C2-3500](#) [ZP-4016-10NF](#)
[CONT-JL05-12P-C1-10](#) [RM20M12G8D28](#) [031-50676](#) [12115010110](#) [RJFTVC2MG](#) [CAP-DACMDPC2](#) [031-50675-002](#) [CAP-DD1FDPC2](#)
[CAP-DACMDPC1](#) [031-50966-010](#) [ASSP-10-F-A-C-SA](#)