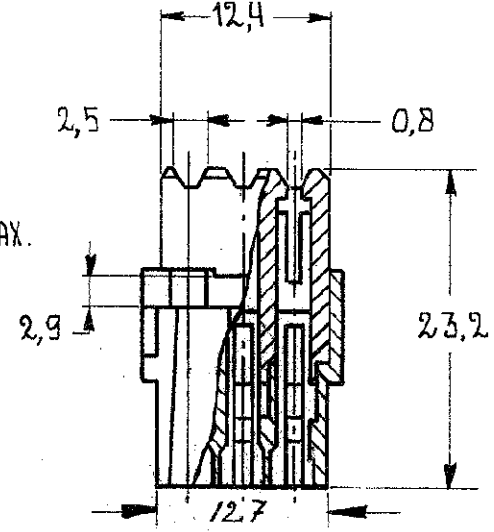
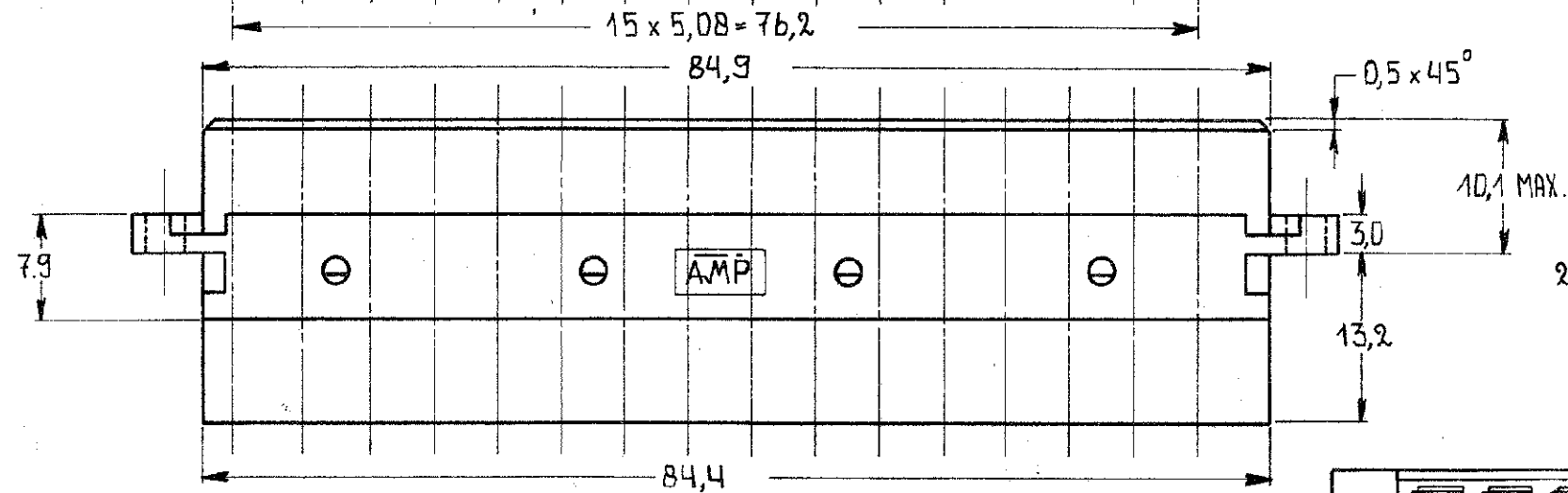
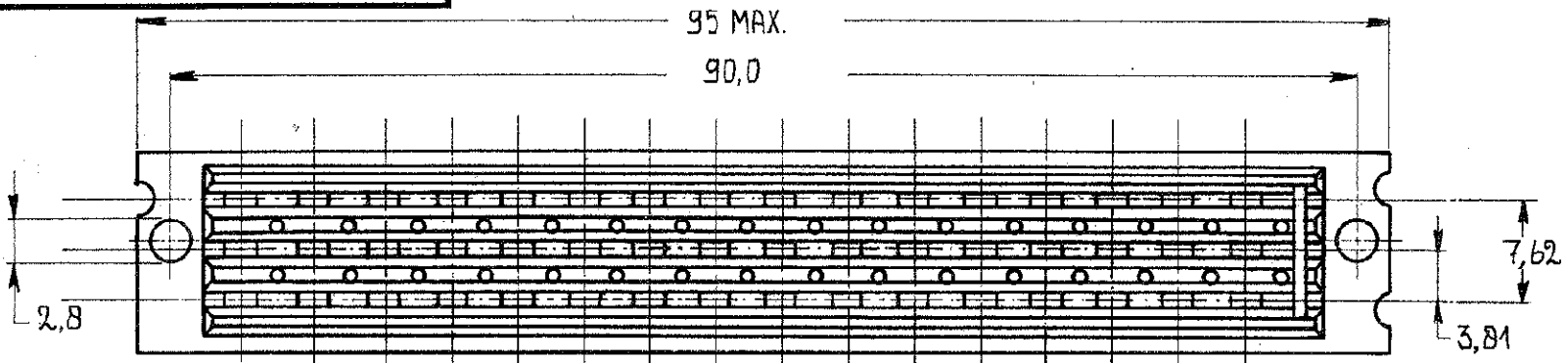


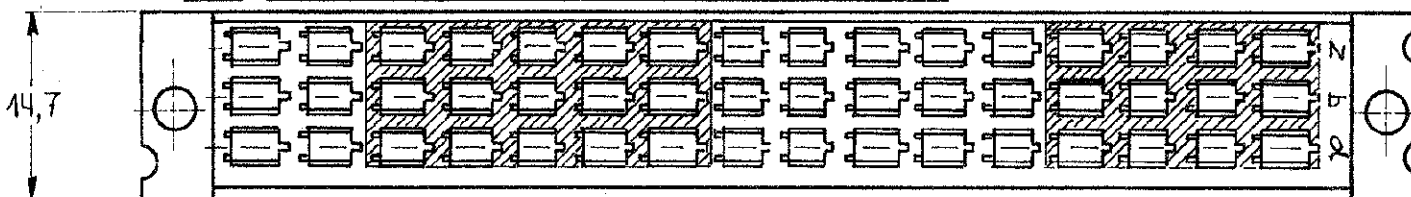
DRAWING MADE IN AMERICAN PROJECTION

REV	DESCRIPTION	DATE	DWN	APR
G1	ECO-11-005027	6APR11	RK	HMR

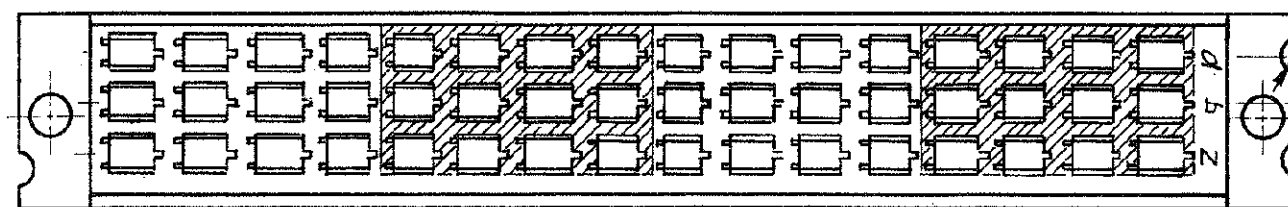


△ OBSOLETE

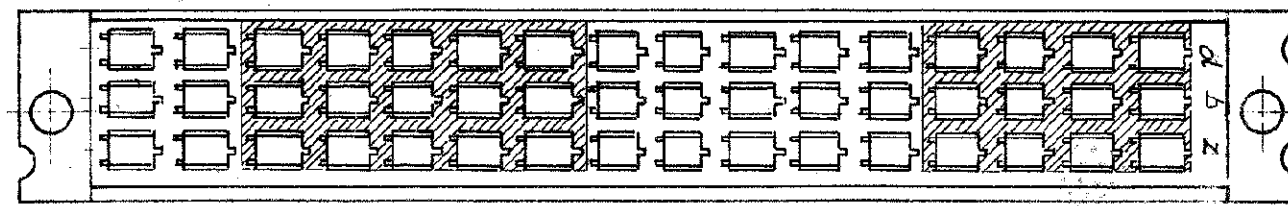
NOTE: BLOCK MARKING AND CAVITY NUMBERS PRINTED IN GREEN COLOR.



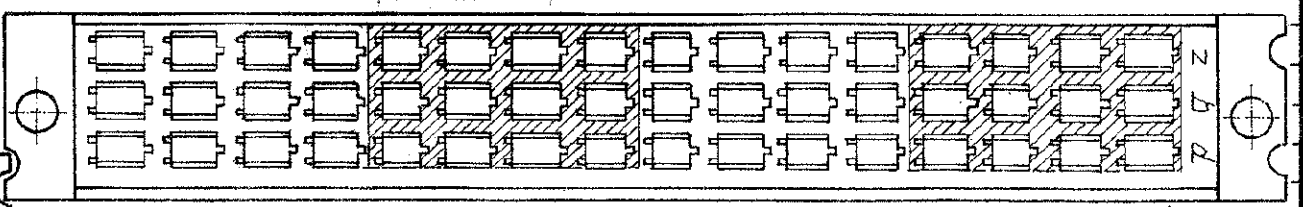
STYLE 3 FURTHER EQUAL TO 1.



STYLE 2.



STYLE 1



STYLE 4

166569-9	20% GLASS FILLED NORYL	GREY DAL 7032	4
166569-8	20% GLASS FILLED NORYL	GREY RAL 7032	3
166569-7	20% GLASS FILLED NORYL	GREY RAL 7032	1
166569-1	20% GLASS FILLED NORYL	GREY RAL 7032	2
ORDER NO.	MATERIAL	COLOR	STYLE

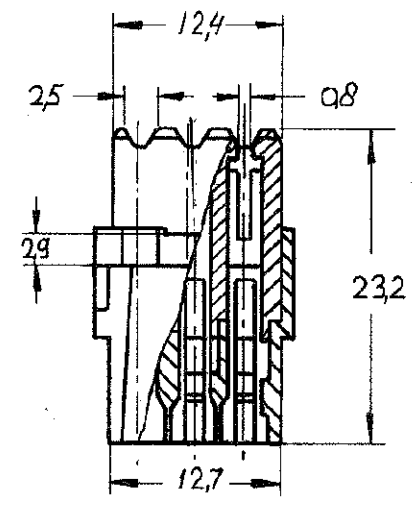
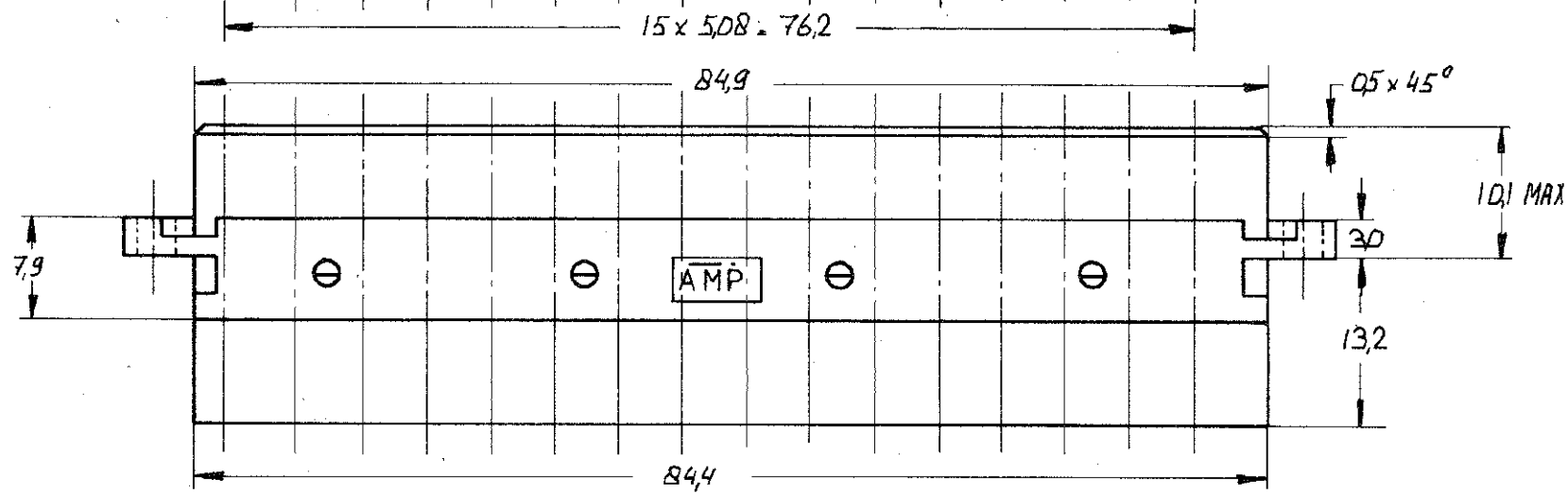
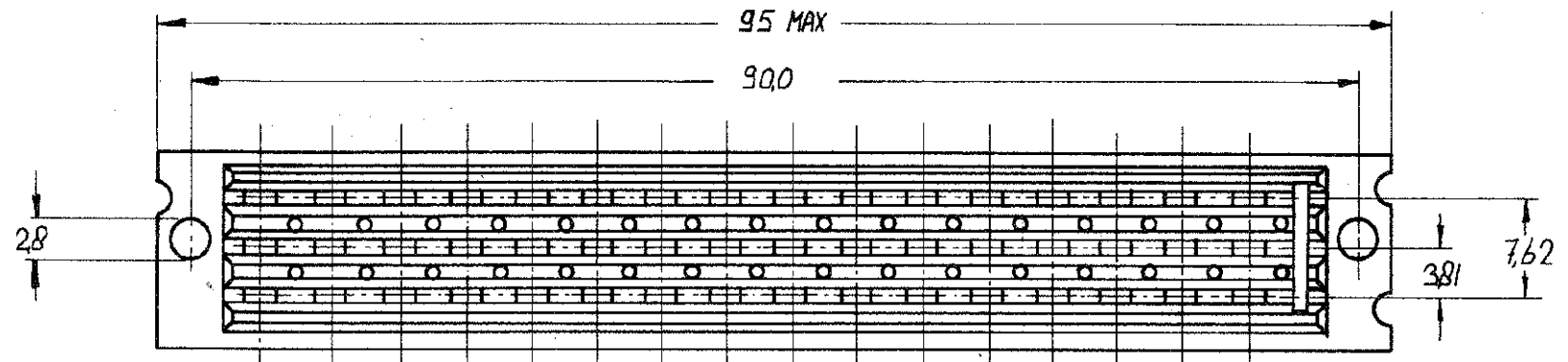
NUMBER 166569

**CUSTOMER COPY FOR REFERENCE ONLY**

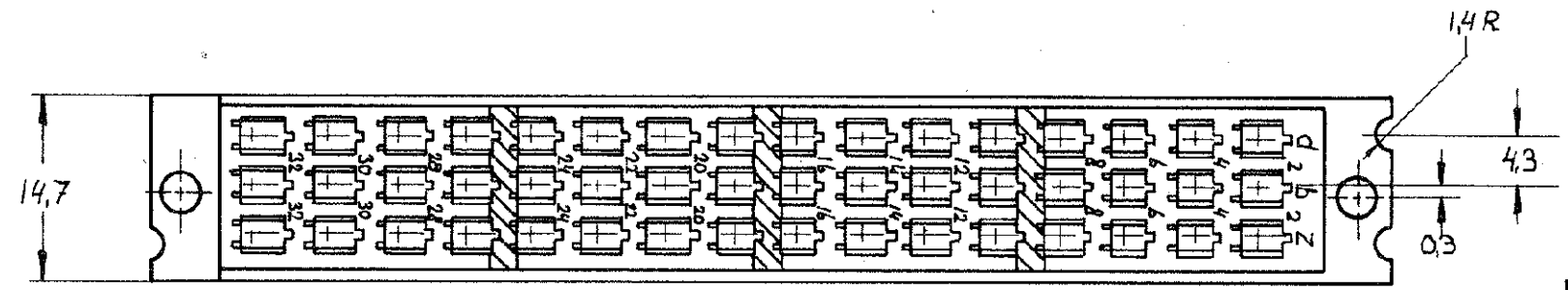
DR L VAN DER HEYDEN	DATE 29.03.80	 TE Connectivity	
DATE 8.10.80	DATE 8.10.80		
WIRE-RANGE	INSUL-RANGE	FIRST USED	SCALE 2:1    SIZE B    NO C 166569    SHEET 1 OF 2    REV G1
APP	DATE	NAME	
HOUSING, 48 POS., MIDI IEC CONNECTOR FOR CRIMP/SNAP-IN TAB RECEPTACLES (FEM.)			

DIMENSIONS IN M.M. - DO NOT SCALE PRINT

REV	DESCRIPTION	DATE	DWN	APR
-	SEE SHEET 1	-	-	-



**NOTE:**  
1: BLOCK MARKING AND CAVITY NUMBERS PRINTED IN GREEN COLOR.



GREY RAL 7032	GLASSFILLED NORYL 20%	1.166569.0
COLOR	MATERIAL	PART NUMBER

**CUSTOMER DRAWING**  
FOR REFERENCE ONLY  
WILL NOT BE UPDATED



THIS DRAWING IS UNPUBLISHED | RELEASED FOR PUBLICATION | 19

DR. M. VAES 19.1.83	WIRE RANGE	NAME 48 POS FEMALE HOUSING TYPE F FOR CRIMP/SNAP IN CONTACT.	REV. DATE D M Y	
CHK. <i>[Signature]</i> 20-1-83	INSUL RANGE		6	04
APP.	SIZE A3	SHEET 2 OF 2	DRAWING NO <b>C</b> 166569	REV. LTR G1

8      7      6      5      4      3      2      1

## X-ON Electronics

Largest Supplier of Electrical and Electronic Components

*Click to view similar products for [DIN 41612 Connectors](#) category:*

*Click to view products by [TE Connectivity](#) manufacturer:*

Other Similar products are found below :

[004.767](#) [608489050008049](#) [691327-1](#) [74670-0732](#) [74680-0340](#) [75880-0015](#) [76453-0014](#) [86093159ALF](#) [9732967801](#) [QLC260R](#)  
[120X10019X](#) [120X10089X](#) [122A10249X](#) [122A11089X](#) [122A13089X](#) [122A10089X](#) [122A10129X](#) [122A10349X](#) [122A13359X](#) [1377391-4](#)  
[DIN-048CPC-SR1-MH](#) [1393583-2](#) [1393726-7](#) [140X10129X](#) [143-1913-000](#) [143-1908-000](#) [1484472-1](#) [2110070-1](#) [2110070-2](#) [CBC20T00-](#)  
[008FDS5-0-1-002VR](#) [172699-5036](#) [2-1393557-4](#) [2-1437084-2](#) [394506](#) [419-2080-402](#) [419-2085-302](#) [V42254B2202C968](#) [419-2086-201](#) [419-](#)  
[2087-002](#) [448657-1](#) [448847-3](#) [5-1393755-9](#) [02990000004](#) [033020](#) [054302](#) [043556](#) [0760557108](#) [09062483201750](#) [0850033067](#)  
[09031646555](#)