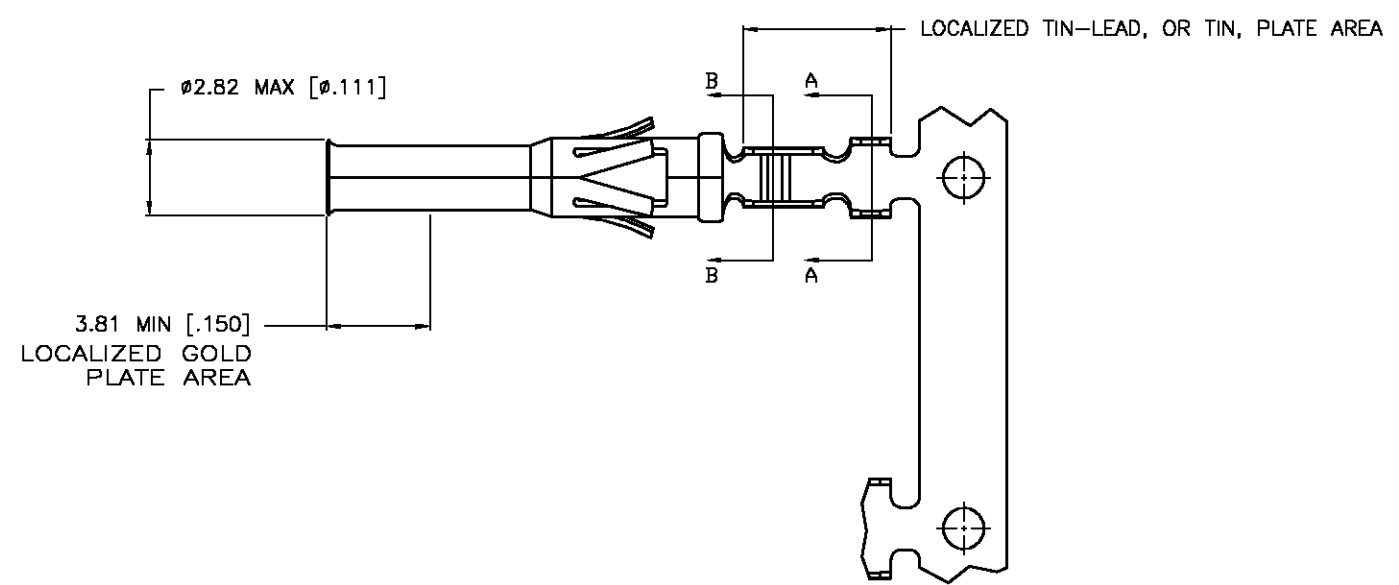
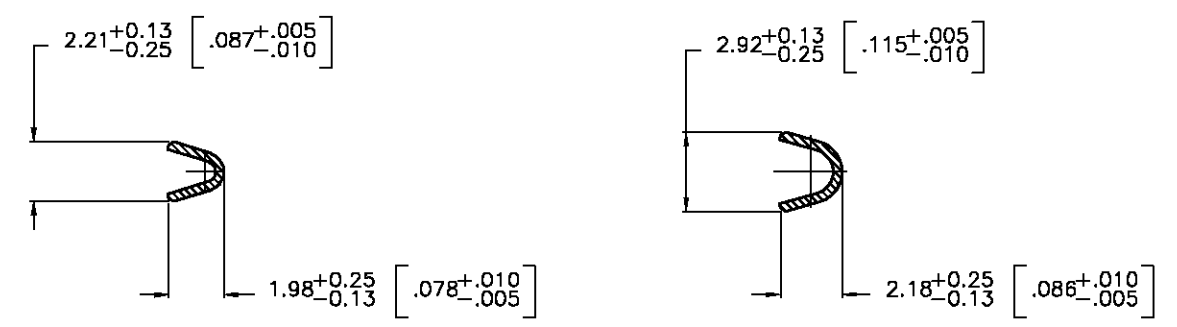
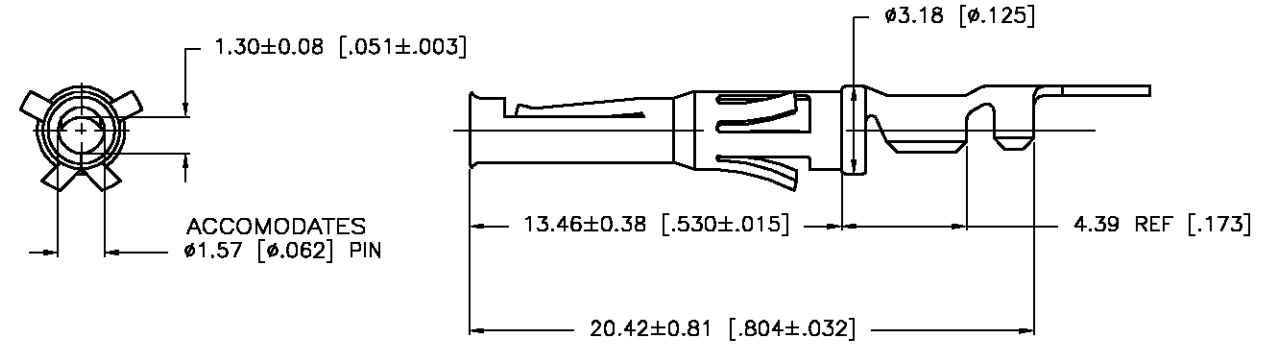
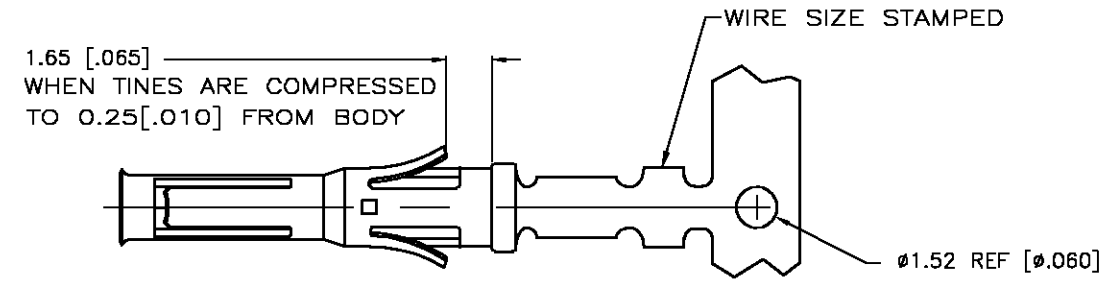


THIS DRAWING IS UNPUBLISHED. RELEASED FOR PUBLICATION
 © COPYRIGHT BY TYCO ELECTRONICS CORPORATION. ALL RIGHTS RESERVED.

LOC	DIST	REVISIONS			
P	LTR	DESCRIPTION	DATE	DWN	APVD
BD	39				
	D	EC 0G3B-0317-03	24APR03	VF	GS



1. WIRE RANGE 24-20 AWG.
 2. INSULATION RANGE 1.02-2.03 [.040-.080] DIA.
 3. FOR LOOSE PIECE PART SEE DWG 66594.
- ⚠ 0.76µm [.000030] MIN GOLD IN LOCALIZED GOLD PLATE AREA, 1.27µm [.000050] MIN TIN-LEAD IN LOCALIZED TIN-LEAD PLATE AREA, BOTH OVER 1.27µm [.000050] MIN NICKEL.
 - ⚠ TIN PLATED.
 - ⚠ GOLD PLATING PER MIL-G-45204, TIN PER MIL-T-10727
 - ⚠ 0.76µm [.000030] MIN GOLD IN LOCALIZED GOLD PLATE AREA, 1.27µm [.000050] MIN TIN IN LOCALIZED TIN PLATE AREA, BOTH OVER 1.27µm [.000050] MIN NICKEL.

	REVERSE REELED FOR MINI-APPLICATOR	⚠	1-66584-0
	REVERSE REELED FOR MINI-APPLICATOR	⚠	66584-4
OBSOLETE	-	⚠	66584-3
	REVERSE REELED FOR MINI-APPLICATOR	⚠	66584-2
	-	⚠	66584-1
	DESCRIPTION	FINISH	PART NUMBER

THIS DRAWING IS A CONTROLLED DOCUMENT.		DWN V. FURLER 09JUN2003	Tyco Electronics Corporation Harrisburg, PA 17105	
DIMENSIONS: MM [INCHES]		CHK G. STEINHAUER 09JUN03	NAME CONTACT, SOCKET, STRIP TYPE VI, MULTIMATE	
TOLERANCES UNLESS OTHERWISE SPECIFIED:		APVD G. STEINHAUER 09JUN03	SIZE A3 CAGE CODE 00779 DRAWING NO C-66584 RESTRICTED TO -	
0 PLC ± -		PRODUCT SPEC -	SCALE 6:1 SHEET 1 OF 1 REV D	
1 PLC ± -		APPLICATION SPEC -		
2 PLC ± 0.13 [.005]		WEIGHT -		
3 PLC ± -		CUSTOMER DRAWING		
4 PLC ± -				
ANGLES ± -				
MATERIAL BRASS MIL-C-50	FINISH SEE TABLE ⚠			

X-ON Electronics

Largest Supplier of Electrical and Electronic Components

Click to view similar products for [Standard Circular Contacts](#) category:

Click to view products by [TE Connectivity](#) manufacturer:

Other Similar products are found below :

[RC16M23J](#) [133780-1](#) [RM20M13D28](#) [RM24M9D28](#) [RMMX110-1D28](#) [MS3474W10-6P L/C](#) [ELFH02211](#) [ELVP16100E](#) [164-901-CD](#)
[EN3545007SCE](#) [BV002BSQ20049CZ](#) [BV002SSQ160404CZ](#) [1900ND05S1B00B](#) [166566-1](#) [1900ND04S1X00D](#) [ST-JL05-16S-C3-100](#) [ST-JL05-20S-C1-100](#) [ST-JL05-20S-C2-100](#) [T01-CRIMP-S03](#) [APK-SA16A07-002](#) [27963-15T12](#) [CONT-JL05-08S-C2-10](#) [CONT-JL05-12S-C1-10](#) [RC16M-23T](#) [RFD26L-1D28](#) [BV002ASJ16049CW](#) [JN1-22-20S-R-PKG100](#) [031-50213](#) [031-50565](#) [031-50794](#) [SJS861301M](#) [ST-JL05-16S-C1-100](#) [ST-JL05-20P-C1-100](#) [82911466K](#) [192991-0087](#) [192900-0570](#) [44-100-1414P-1000-101](#) [T3P16FC3LZ](#) [ST-JL05-16S-C2-3500](#)
[ZP-4016-10NF](#) [CONT-JL05-12P-C1-10](#) [RM20M12G8D28](#) [031-50676](#) [12115010110](#) [RJFTVC2MG](#) [CAP-DACMDPC2](#) [031-50675-002](#)
[CAP-DD1FDPC2](#) [CAP-DACMDPC1](#) [031-50966-010](#)