

DO NOT SCALE

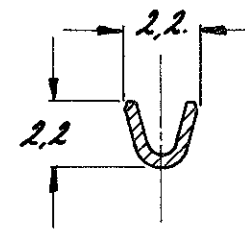
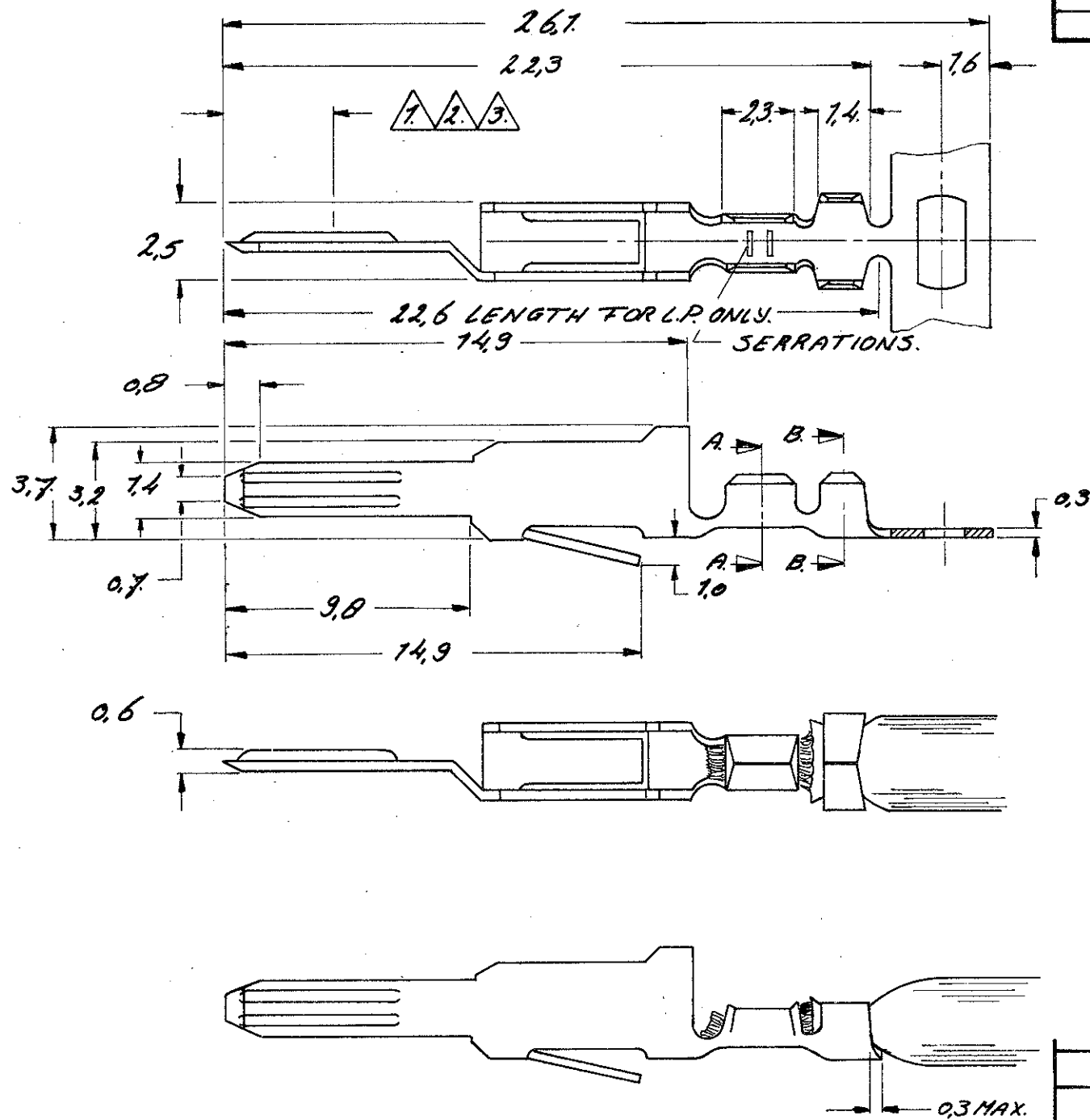
DIMENSIONS IN mm

METRIC

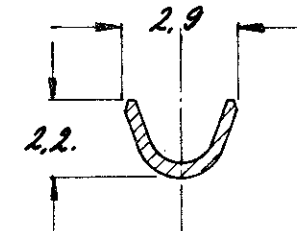
THIRD ANGLE
PROJECTION



REV.	DESCRIPTION	DATE	DWN	APVD
C1	ECR-10-000007	11FEB10	RK	SRE



SECTION A-A



SECTION B-B

NOTES:

- 1. 1.25 μm SELECTIVE GOLD OVER 1.25 μm NICKEL, REMAINDER 1.25 μm Ni.
- 2. 0.75 μm SELECTIVE GOLD OVER 1.25 μm NICKEL, REMAINDER 1.25 μm Ni.
- 3. 0.4 μm SELECTIVE GOLD OVER 1.25 μm NICKEL, REMAINDER 1.25 μm Ni.
- 4. OBSOLETE

166635-5	SEE NOTE 3	BRASS.	166478-7
166635-4	SEE NOTE 2	BRASS.	166478-6
166635-3	SEE NOTE 1	P.H. BRONZE	166478-5
166635-2	SEE NOTE 2	P.H. BRONZE.	166478-4
166635-1	SEE NOTE 1	BRASS.	166478-2
LOOSE PIECE.	FINISH	MATERIAL	PART NUMBER

CUSTOMER
DRAWING

FOR REFERENCE ONLY
WILL NOT BE UPDATED

Tyco
Electronics

AMP-HOLLAND B.V.
's-Hertogenbosch, The Netherlands

THIS DRAWING IS UNPUBLISHED | RELEASED FOR PUBLICATION 19

© COPYRIGHT 19 BY AMP-HOLLAND B.V.
ALL INTERNATIONAL RIGHTS RESERVED.
AMP PRODUCTS MAY BE COVERED BY U.S. AND FOREIGN PATENTS AND/OR PATENTS PENDING.

DR. Th. HUISMAN 18-3-83	WIRE RANGE 0.12-0.5 mm ²	NAME CRIMP ON SNAP-IN	REV. DATE D M Y
CHK. P. P. 22-3-83	INSUL. RANGE 0.8 - 1.8 mm.	TAB RECEPTACLE	18 03 83
APP. P. P. 24.3.83	SIZE A3	SHEET 1 OF 1	DRAWING NO C-166478-E
			REV. I.T.R. C1

X-ON Electronics

Largest Supplier of Electrical and Electronic Components

Click to view similar products for [DIN 41612 Connectors](#) category:

Click to view products by [TE Connectivity](#) manufacturer:

Other Similar products are found below :

[09231126901](#) [PCN10F-24P-2.54DS\(72\)](#) [004.767](#) [02221602702](#) [024069](#) [602427301412000](#) [013275](#) [691327-1](#) [74670-0732](#) [74680-0340](#)
[75880-0015](#) [76453-0014](#) [86093159ALF](#) [923454](#) [QLC260R](#) [120X10099X](#) [120X10019X](#) [120X10089X](#) [120X10129X](#) [121A10039X](#)
[121A10309X](#) [122A10019X](#) [122A10029X](#) [122A10249X](#) [122A10669X](#) [122A11089X](#) [122A13089X](#) [122A10089X](#) [122A10129X](#)
[122A10349X](#) [122A13359X](#) [1377391-4](#) [1393583-2](#) [1393726-7](#) [140X10059X](#) [140X10129X](#) [143-1913-000](#) [143-1908-000](#) [1484472-1](#) [173052](#)
[2110070-1](#) [2110070-2](#) [CBC20T00-008FDS5-0-1-002VR](#) [983-0SE12-12P6](#) [17041102202](#) [172699-5036](#) [173051](#) [PCN10-96S-2.54DSA\(77\)](#) [2-](#)
[1393557-4](#) [2-1437084-2](#)