

THIS DRAWING IS UNPUBLISHED. RELEASED FOR PUBLICATION

© COPYRIGHT

REVISIONS				DATE	APPROVED
P	F	ZONE	LTR	DESCRIPTION	
✓	✓		F1	REVISED PER ECO-11-005294	05APR11 HMR

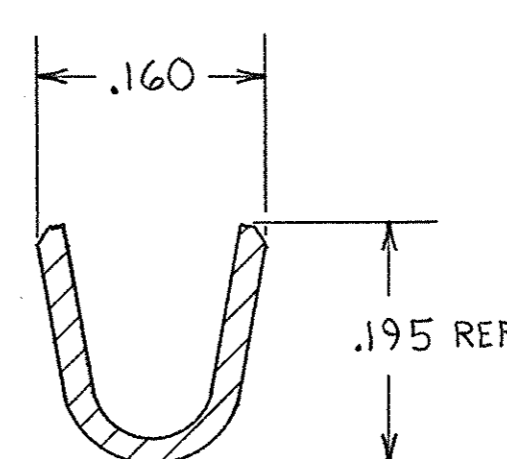
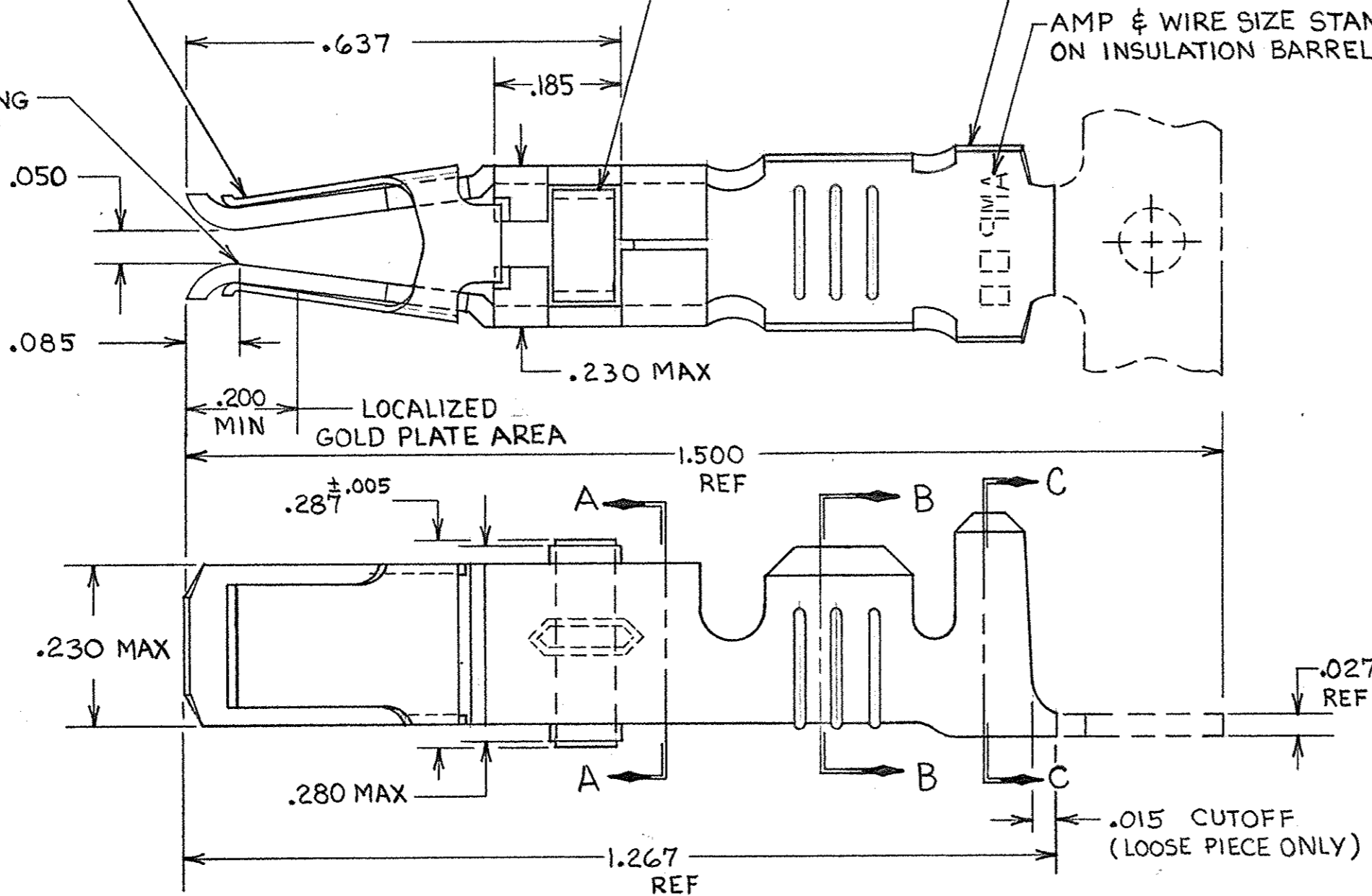
ASSIST SPRING  
MATL: STAINLESS STEEL  
PER QQ-S-766

TERMINAL LATCH  
MATL: NYLON  
COLOR: (SEE TABLE)

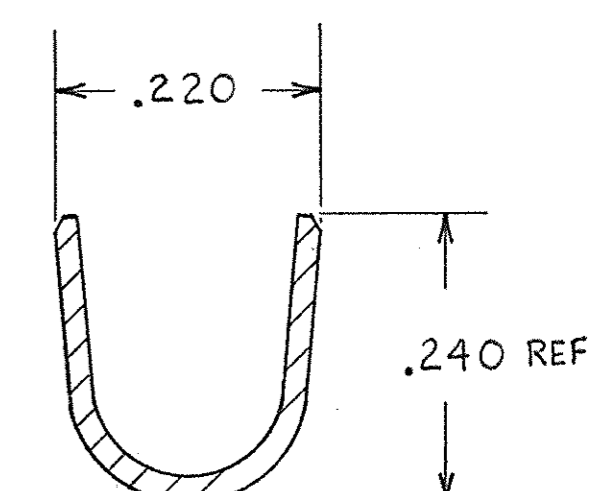
CONTACT BODY  
MATL: COPPER PER QQ-C-576  
FINISH: (SEE TABLE)

AMP & WIRE SIZE STAMPED  
ON INSULATION BARREL

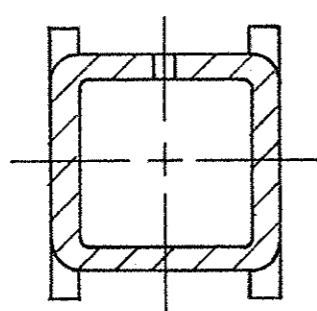
POINT OF PLATING  
MEASUREMENT



SECTION B-B



SECTION C-C



SECTION A-A

- ① REELED FOR USE WITH STANDARD APPLICATORS.
- ② REELED FOR USE WITH HEAVY DUTY MINI-APPLICATORS.
- ③ PLATED WITH .000100 MIN SILVER PER QQ-S-365.
- ④ PLATED WITH .000015 MIN GOLD PER MIL-G-45204 IN THE LOCALIZED GOLD PLATE AREA, GOLD FLASH ON THE REMAINDER, OVER .000030 MIN NICKEL PER QQ-N-290.
- ⑤ PLATED WITH .000030 MIN GOLD PER MIL-G-45204 IN THE LOCALIZED GOLD PLATE AREA, GOLD FLASH ON THE REMAINDER, OVER .000030 MIN NICKEL PER QQ-N-290.
- ⑥ PLATED WITH .000050 MIN 93-7% TIN-LEAD ALLOY OVER .000030 MIN NICKEL PER QQ-N-290.

⑨ PLATED TIN (NO LEAD). 0.00050 MIN THK PER ASTM-B-595 OVER NICKEL .000030 MIN THK PER QQ-N-290.

- 7. WIRE RANGE = 12-16 AWG.
- 8. INSULATION RANGE = .140-.165 DIA.

BLACK	⑨	2-66740-1	2-66740-0/2
BLACK	⑨	2-66740-1	1-66740-9
BLACK	⑥	66740-8	1-66740-2
BLACK	⑤	66740-6	1-66740-1
BLACK	④	<del>OBSOLETE</del>	1-66740-0
NATURAL	③	66740-2	66740-9
BLACK	⑥	66740-8	66740-7
BLACK	⑤	66740-6	66740-5
BLACK	④	<del>OBSOLETE</del>	66740-3
NATURAL	③	66740-2	66740-1
TERMINAL LATCH COLOR	FINISH	LOOSE PIECE PART NO	STRIP PART NO

UNLESS OTHERWISE SPECIFIED DIMENSIONS ARE IN INCHES. TOLERANCES ON: DECIMALS ±.010 ANGLES ±.010	CONTRACT NO				
	DR	9-25-85			
	MATERIAL	SEE CALLOUT	CHK	NAME	FEMALE TYPE XII CONTACT ASSEMBLY, WITH ASSIST SPRING
	FINISH	SEE DASH NO	APPD	DSGN APPD	OTHER APPD
SIZE		FSCM NO	DRAWING NO		
C		00779	66740		
SCALE			SHEET		
NTS					

CUSTOMER DRAWING

66740

## X-ON Electronics

Largest Supplier of Electrical and Electronic Components

*Click to view similar products for [Pin & Socket Connectors](#) category:*

*Click to view products by [TE Connectivity](#) manufacturer:*

Other Similar products are found below :

[6450822-1](#) [770392-1](#) [794042-1](#) [796885-1](#) [8-794535-1](#) [PLR3455ACS-222](#) [R929991004](#) [R929993003](#) [1403611-1](#) [1-480349-5](#) [152302-5](#)  
[153211-2](#) [1586092-1](#) [1586129-1](#) [1586681-4](#) [1586700-1](#) [1586368-1](#) [1586380-1](#) [1586616-1](#) [1586680-5](#) [16-06-0038](#) [164164-5](#) [1-6609930-1](#)  
[172296-1](#) [19-09-2035](#) [200503-1](#) [200788-2](#) [2029090-4](#) [2029095-4](#) [925061-7](#) [293734-4](#) [293737-2](#) [1-765362-4](#) [1871534-1](#) [200833-4](#)  
[2008625-2](#) [2029027-2](#) [2029096-4](#) [R929991000](#) [R929991002](#) [R929993000](#) [319-10-101-00-005000](#) [319-10-102-00-001000](#) [319-10-104-00-001000](#) [319-10-105-00-001000](#) [319-10-108-00-001000](#) [319-10-112-00-006000](#) [39-01-8019](#) [319-10-101-00-001000](#) [319-10-102-00-005000](#)