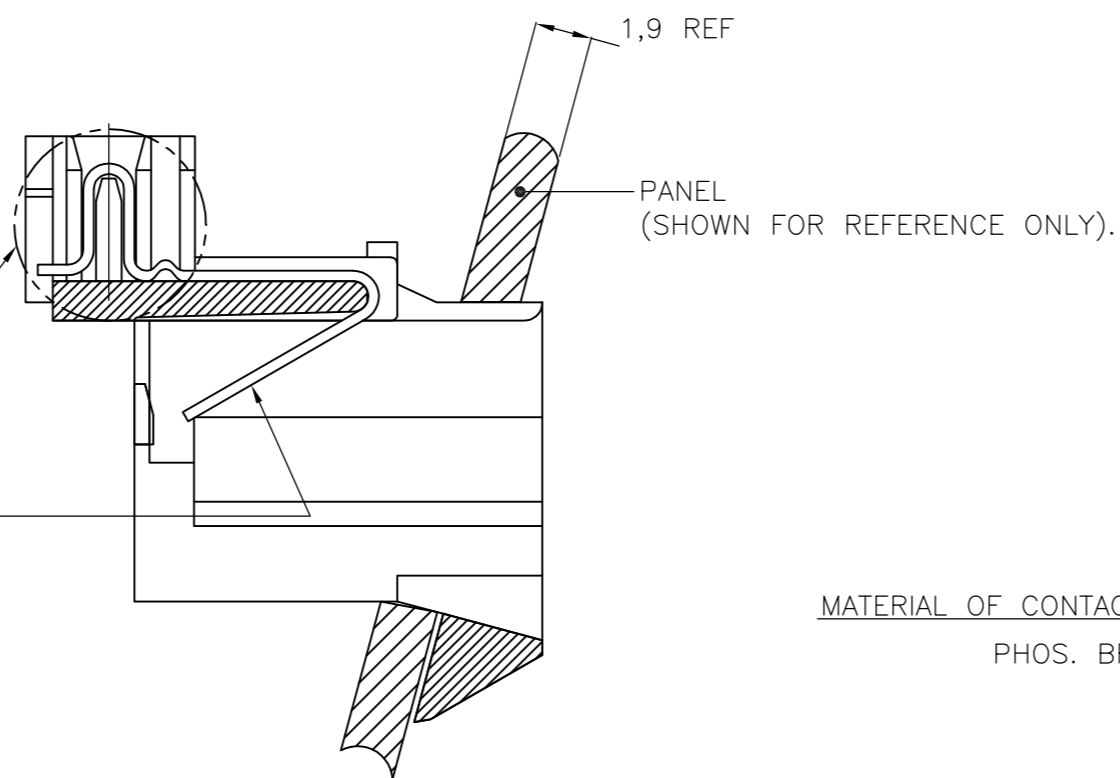
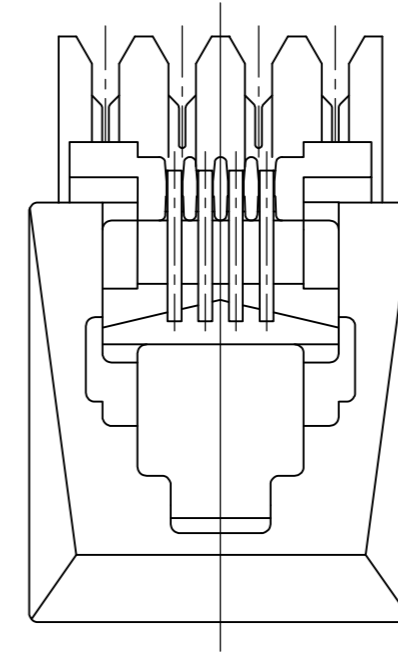
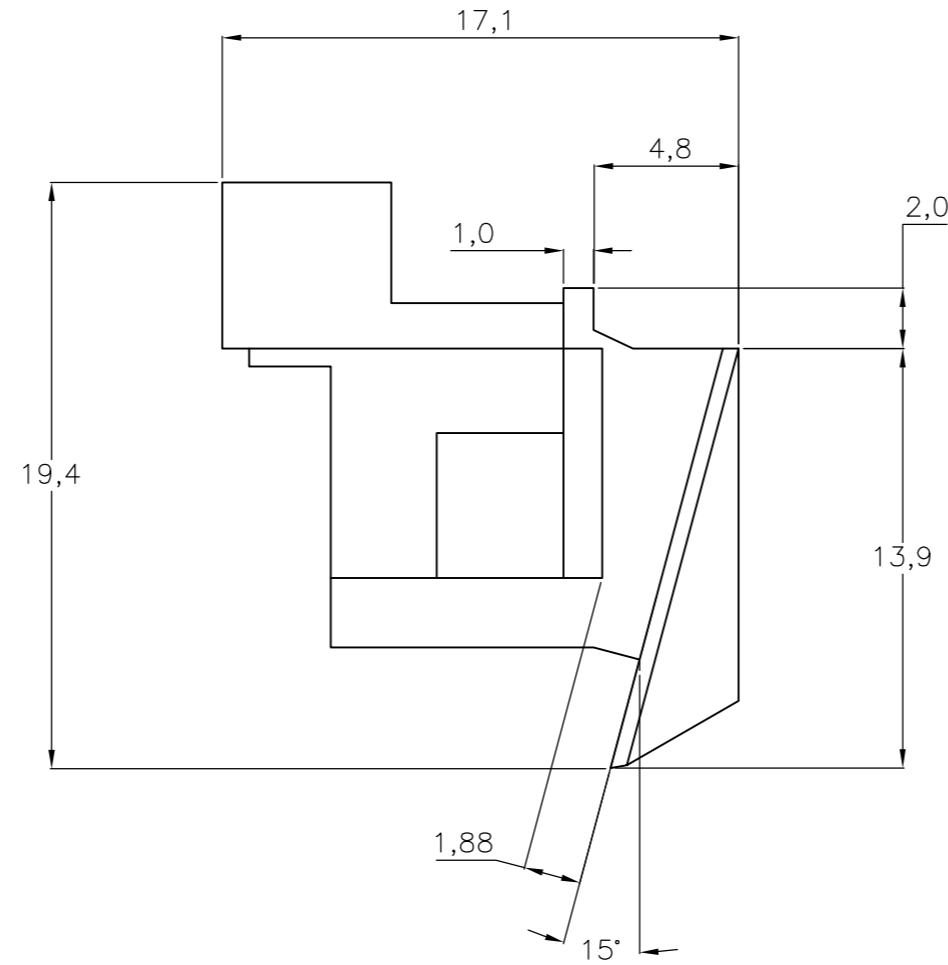
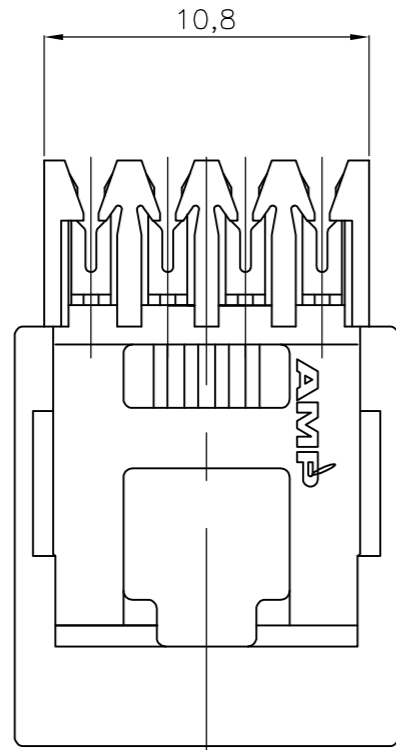
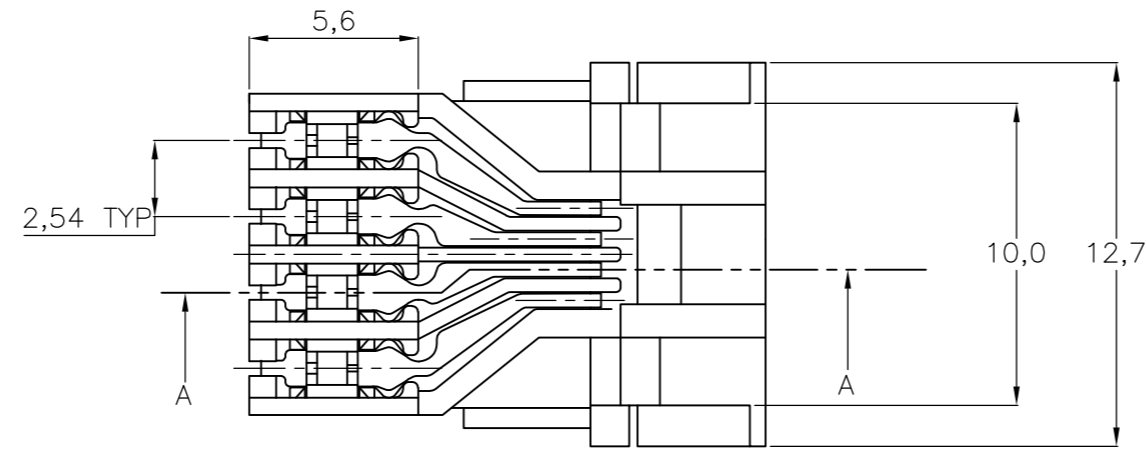


THIS DRAWING IS UNPUBLISHED. RELEASED FOR PUBLICATION  
 © COPYRIGHT BY TYCO ELECTRONICS CORPORATION. ALL INTERNATIONAL RIGHTS RESERVED.

LOC	DIST	REVISIONS					
		P	LTR	DESCRIPTION	DATE	DWN	APVD
H	-		U	EH-0176-98	10-02-98	EVE	-
			V	ECR-06-013127	31-05-06	MO	-
			V1	ECR-08-012368	08-07-08	AEG	WRV

NOTES:

- FOR APPLICATION INFORMATION SEE TE SPECIFICATION 114-19005.
- FOR PERFORMANCE REQUIREMENTS SEE TE SPECIFICATION 108-19039.



CONTACT PLATING IN THIS AREA :  
1.25µm MIN. TIN.

CONTACT AREA GOLD PLATING THICKNESS :  
SEE TABLE.

UNDERPLATING ON ENTIRE CONTACT :  
1.25µm MIN. NICKEL.

MATERIAL OF CONTACTS :  
PHOS. BRONZE.

OBSOLETE	600 PCS. ON 60 cm DIA. REEL		ABS COLOR-BLACK, METALLIC FILTER	2-166925-5 166925-5
OBSOLETE	3000 PCS IN A BOX		ABS COLOR-GREY (RAL 9002)	2-166925-3 166925-3
OBSOLETE	600 PCS. ON 60 cm DIA. REEL	1.2 µm	ABS COLOR-GREY (RAL 9002)	166925-3
OBSOLETE	3000 PCS IN A BOX		NYLON, 13%G.F. COLOR-BLACK	166925-1
	PACKAGING	GOLD PLATING IN CONTACT AREA	HOUSING MATERIAL	ORDER NUMBER

THIS DRAWING IS A CONTROLLED DOCUMENT.

DWN	D.KESSLER	05NOV92	Tyco Electronics Corporation 's-Hertogenbosch, Nederland
CHK	C.STERKEN	-	
APVD	-	-	
PRODUCT SPEC	-	-	
APPLICATION SPEC	-	-	NAME
DIMENSIONS: mm TOLERANCES UNLESS OTHERWISE SPECIFIED: 0 PLC ± - 1 PLC ± - 2 PLC ± - 3 PLC ± - 4 PLC ± - ANGLES ± - FINISH SEE NOTES			MODULAR JACK, 4 POS./4 CONT FLANGED, WITH INSULATION DISPLACEMENT CONTACTS
MATERIAL	SEE NOTES	WEIGHT	SIZE
			CAGE CODE
			DRAWING NO
			RESTRICTED TO
			A2 00779 C=166925
			SCALE NTS SHEET 1 of 1 REV V1
			CUSTOMER DRAWING

## X-ON Electronics

Largest Supplier of Electrical and Electronic Components

*Click to view similar products for [Modular Connectors / Ethernet Connectors](#) category:*

*Click to view products by [TE Connectivity](#) manufacturer:*

Other Similar products are found below :

[8949-H88/06BLKA/SN](#) [74441-0010/BKN](#) [MP1010RX-1000](#) [MP44RX-1000](#) [PHJ-4P4C-1-V-4](#) [PHP-6P6C-5](#) [GAX-3-66](#) [GAX-8-62](#) [GDCX-PA-66-50](#) [GDCX-PN-64](#) [GDCX-PN-66](#) [GDCX-PN-66-50](#) [GDLX-A-66](#) [GDLX-N-66](#) [GDLX-S-66](#) [GDLX-S-88K](#) [GDLX-SMT-S-88](#) [GDTX-S-88-50](#) [GDX-PA-1010](#) [GLX-N-1010M-BLK](#) [GLX-S-88M-BLK](#) [GMX-N-1010](#) [GMX-S-1010](#) [GMX-S-66](#) [GMX-SMT4-N-88](#) [GPX-2-64](#) [GSGX-N-2-88](#) [GSGX-N-4-88](#) [GSX-NS2-88-3.05](#) [GSX-NS2-88-3.05-50](#) [GSX-NS-88-3.05-50](#) [PT-108A-8C-UL](#) [PT-J951-8C](#) [PTS-J531-8CS-50UL](#) [1-1775629-2](#) [A-2014-0-4](#) [GWLX-S-88-GR](#) [GWLX-S9-88-YG](#) [DC-1021-8-WH-6](#) [1300530003](#) [1324640-4](#) [RJ11FTVC2G](#) [RJ11FTVC2N](#) [RJFTVX2SA1G](#) [132764-001](#) [1413235](#) [MP88X-1000](#) [MPS88RX-5000](#) [E5288-S000K3-L](#) [E5908-15A242-L](#)