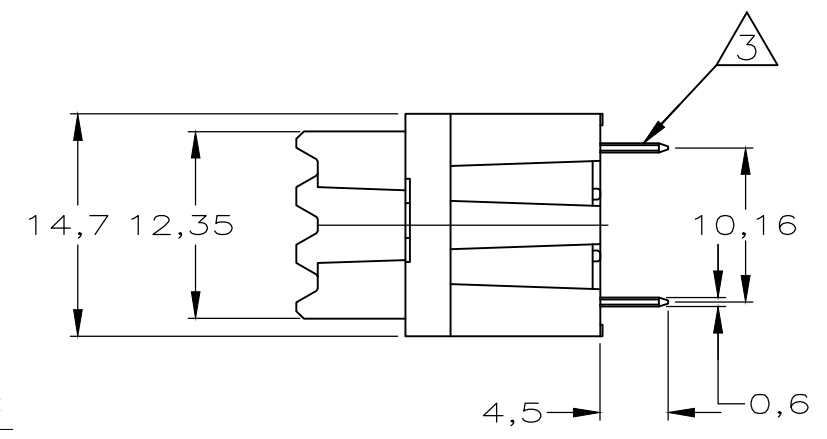
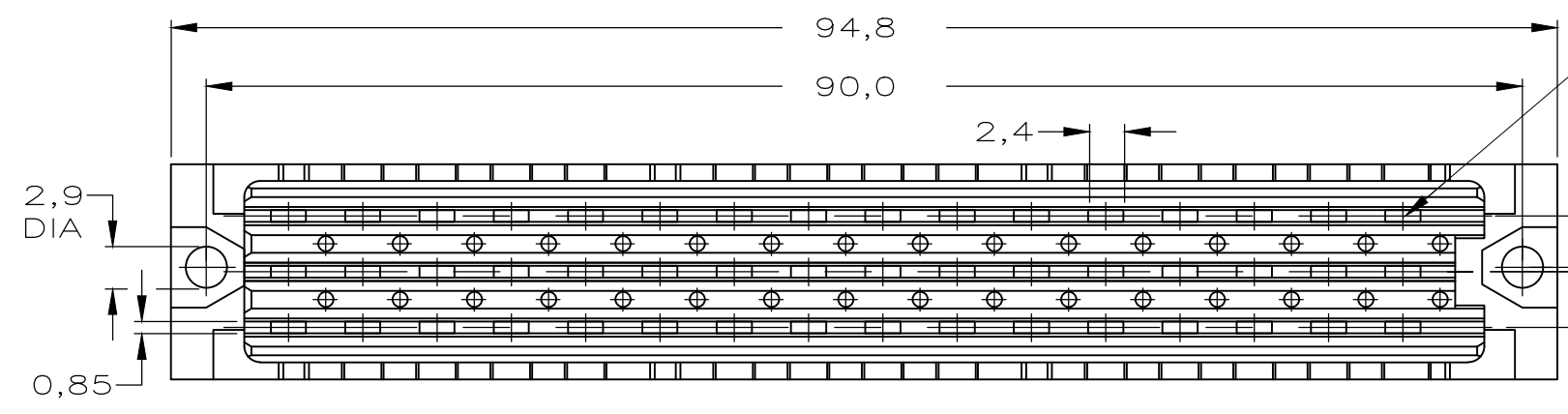
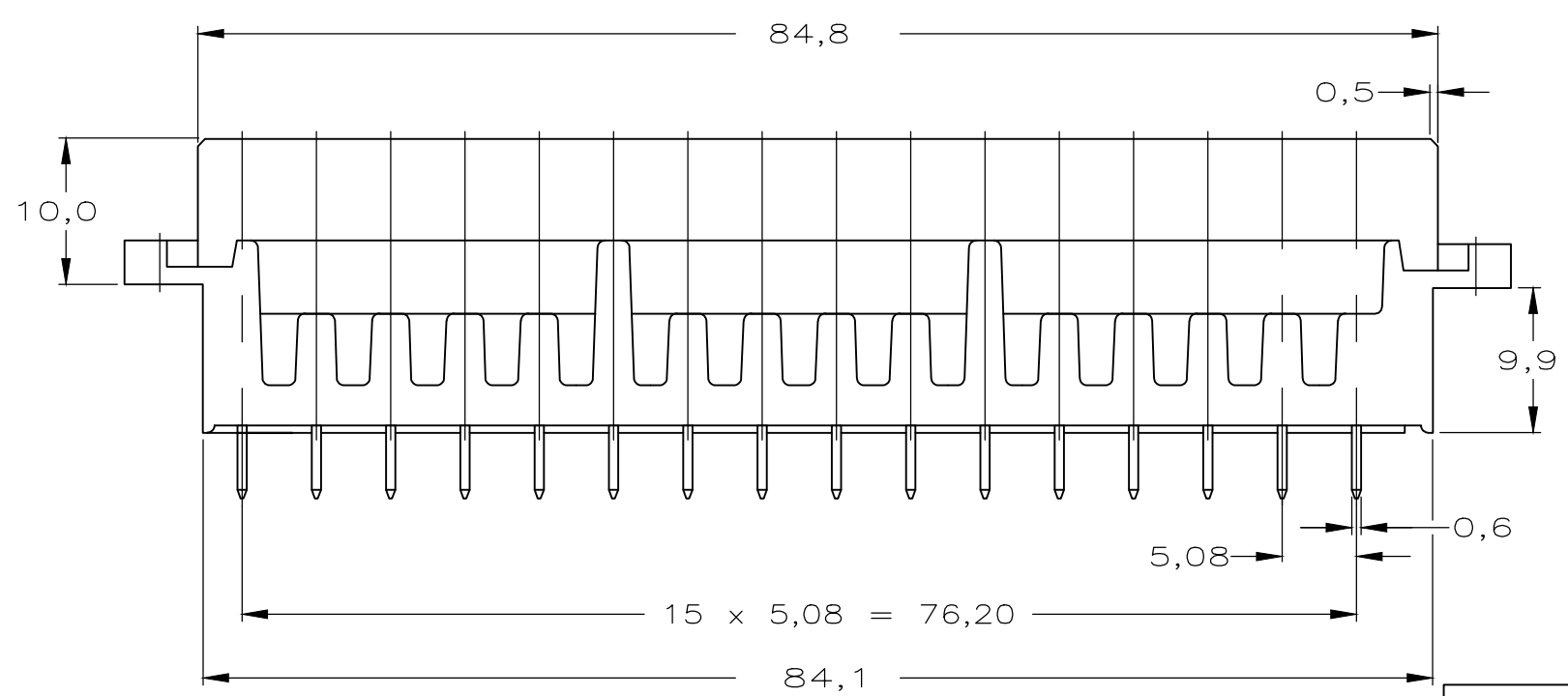


| REVISIONS |     |                           |           |     |      |
|-----------|-----|---------------------------|-----------|-----|------|
| P         | LTR | DESCRIPTION               | DATE      | DWN | APVD |
|           | K   | REVISED PER ECO-20-012547 | 04NOV2020 | RZ  | HL   |



NOTES :

- ① MATERIAL :
  - HOUSING : POLYESTER G.F.
  - COLOUR : GREY.
  - CONTACTS : PHOSPHORBRONZE.
- ② FINISH :
  - 1 AT CONTACT AREA 1,25 μm AU OVER 1,25 μm NI.
  - AT POST AREA 2,5 μm Sn OVER 1,25 μm NI.
  - 7 SAME AS -1 ONLY 2,0 μm AU.
  - 8 SAME AS -1 ONLY 0,4 μm AU.
  - 4 CONFIRMS TO IEC60603-2 PERFORMANCE LEVEL II REQUIREMENT IN CONTACT AREA, Sn OVER Ni IN SOLDER AREA.
- ③ SOLDERPOSTS SUITABLE FOR 0,80<sup>±0,05</sup> OR 1,0<sup>±0,1</sup> NOM DIA HOLES.



|               |               |               |                     |
|---------------|---------------|---------------|---------------------|
| 0--8 OBSOLETE | SEE NOTE<br>② | SEE NOTE<br>① | <del>166951-8</del> |
| 0--7 OBSOLETE |               |               | <del>166951-7</del> |
|               |               |               | 166951-4            |
| 0--1 OBSOLETE |               |               | <del>166951-1</del> |

| ROW | z  | b  | d  |    |    |    |    |    |    |    |    |    |   |   |   |   |   |   |   |
|-----|----|----|----|----|----|----|----|----|----|----|----|----|---|---|---|---|---|---|---|
|     | X  | .  | .  | X  | X  | X  | X  | X  | X  | X  | X  | X  | X | X | X | X | X | X | X |
| POS | 32 | 30 | 28 | 26 | 24 | 22 | 20 | 18 | 16 | 14 | 12 | 10 | 8 | 6 | 4 | 2 |   |   |   |

AN ASTERISK "X" DENOTES A CONTACT.

|   |  |  |              |               |  |            |
|---|--|--|--------------|---------------|--|------------|
| THIS DRAWING IS A CONTROLLED DOCUMENT.                                      |  | DWN                                    | 17 JAN. 1992 |               | <b>STE</b> TE Connectivity                         |            |
|   |  | CHK                                    | J.v.LIEMPT.  |               |  |            |
|   |  | APVD                                   | -            |               | NAME   |            |
|   |  | PRODUCT SPEC                           | -            |               |  |            |
|   |  | APPLICATION SPEC                       | -            |               | 2x16 POS. TYPE F FEMALE<br>B.T.B. SOLDER CONNECTOR |            |
|   |  | WEIGHT                                 | 0.000000     |               |  |            |
| DIMENSIONS: mm  |  | TOLERANCES UNLESS OTHERWISE SPECIFIED: |              | SIZE          | CAGE CODE  | DRAWING NO |
| 0 PLC ± -<br>1 PLC ± -<br>2 PLC ± -<br>3 PLC ± -<br>4 PLC ± -<br>ANGLES ± - |  | FINISH                                 |              | A3            | 00779  | C-166951   |
| MATERIAL  |  | -                                      |              | RESTRICTED TO | -  |            |
| CUSTOMER DRAWING  |  |  |              | SCALE         | SHEET  | REV        |
|   |  |  |              | -             | 1 OF 1   | K          |

## X-ON Electronics

Largest Supplier of Electrical and Electronic Components

*Click to view similar products for [DIN 41612 Connectors](#) category:*

*Click to view products by [TE Connectivity](#) manufacturer:*

Other Similar products are found below :

[09231126901](#) [PCN10F-24P-2.54DS\(72\)](#) [004.767](#) [02221602702](#) [024069](#) [602427301412000](#) [013275](#) [691327-1](#) [74670-0732](#) [74680-0340](#)  
[75880-0015](#) [76453-0014](#) [86093159ALF](#) [923454](#) [QLC260R](#) [120X10099X](#) [120X10019X](#) [120X10089X](#) [120X10129X](#) [121A10039X](#)  
[121A10309X](#) [122A10019X](#) [122A10029X](#) [122A10249X](#) [122A10669X](#) [122A11089X](#) [122A13089X](#) [122A10089X](#) [122A10129X](#)  
[122A10349X](#) [122A13359X](#) [1377391-4](#) [1393583-2](#) [1393726-7](#) [140X10059X](#) [140X10129X](#) [143-1913-000](#) [143-1908-000](#) [1484472-1](#) [173052](#)  
[2110070-1](#) [2110070-2](#) [CBC20T00-008FDS5-0-1-002VR](#) [983-0SE12-12P6](#) [17041102202](#) [172699-5036](#) [173051](#) [PCN10-96S-2.54DSA\(77\)](#) [2-](#)  
[1393557-4](#) [2-1437084-2](#)