

REVISIONS

P	LTR	DESCRIPTION	DATE	DWN	APVD
	A	REVISED PER ECO-18-008569	15JUN2018	RS	JO

1 FOR MINI-APPLICATOR CRIMPING

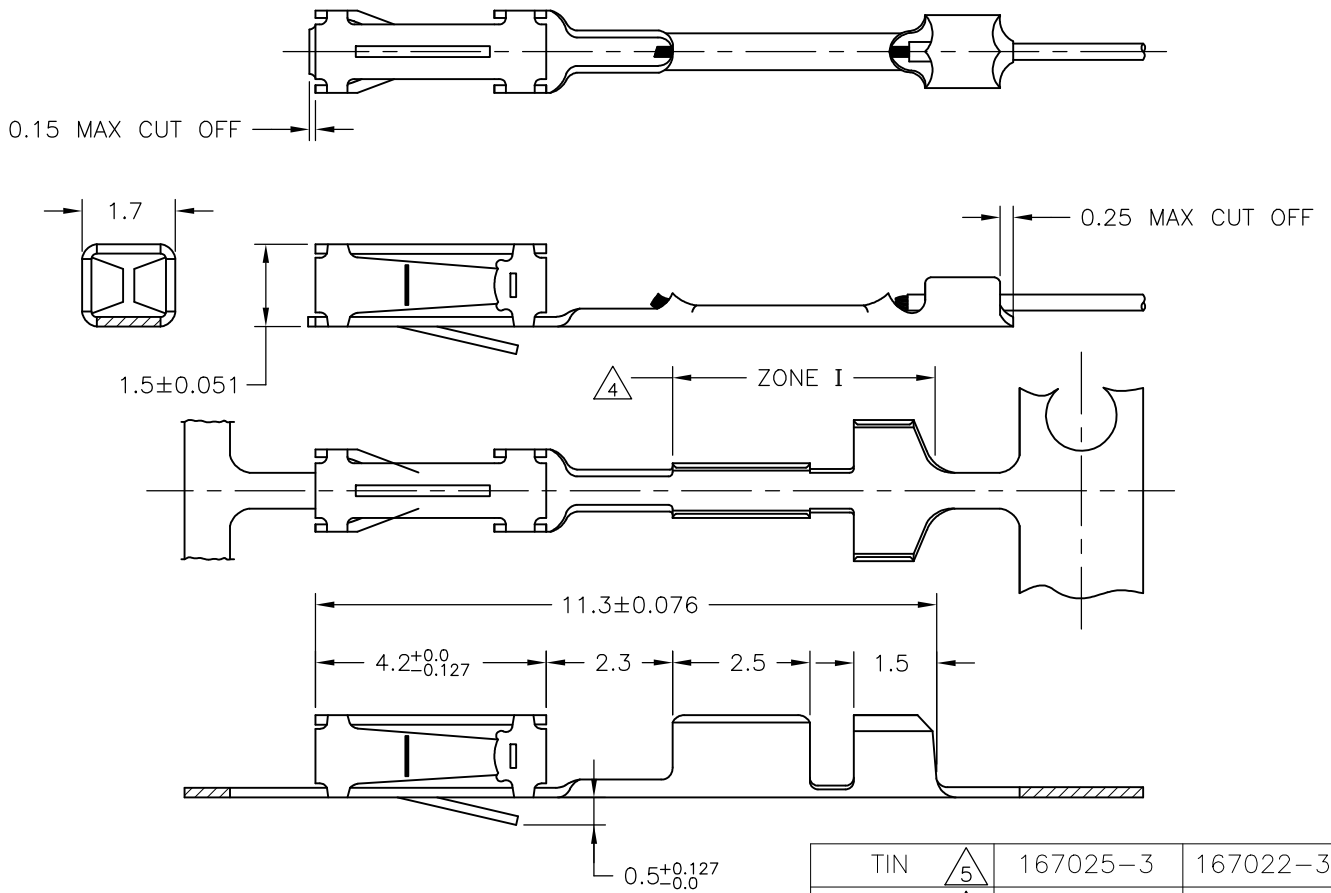
△2 UNDERCOATING 1.25μM Ni, SELECTIVE 0.8μM Au, NO GOLD FLASH

△3 UNDERCOATING 1.25μM Ni, SELECTIVE 0.8μM Au, REMAINDER GOLD FLASH

△4 ZONE I BRIGHT TIN/LEAD PLATED

△5 PRE TIN PLATED 2.0μM

6 MATERIAL: PHOS BRONZE



TIN	△5	167025-3	167022-3
GOLD	△3	167025-2	167022-2
GOLD	△4/△2	167025-1	167022-1
PLATING		LOOSE PIECE	ORDER NO

RELEASED FOR PUBLICATION

ALL RIGHTS RESERVED.

THIS DRAWING IS UNPUBLISHED.

© COPYRIGHT - TE Connectivity Ltd.

WIRE RANGE: 28-32 AWG 0.03-0.09 mm ²	INSUL. RANGE: .020-.040 0.5-1.02 DIA
---	--

DIMENSIONS: mm		DWN RAVI S 15JUN2018	MATERIAL -		FINISH -	
TOLERANCES UNLESS OTHERWISE SPECIFIED:		CHK OLSON JOSEPH 15JUN2018	TE Connectivity Ltd.			
		APVD OLSON JOSEPH 15JUN2018				
0 PLC ± -		PRODUCT SPEC	NAME AMP MODUMODV RECEPTACLE			
1 PLC ± -						
2 PLC ± -		APPLICATION SPEC				
3 PLC ± -						
4 PLC ± -						
ANGLES ± -			SIZE A4	CAGE CODE 00779	DRAWING NO C-167022	RESTRICTED TO -
		WEIGHT	CUSTOMER DRAWING			
			SCALE 1:1	SHEET 1 OF 1	REV A	

X-ON Electronics

Largest Supplier of Electrical and Electronic Components

Click to view similar products for [Headers & Wire Housings](#) category:

Click to view products by [TE Connectivity](#) manufacturer:

Other Similar products are found below :

[892-18-020-10-001101](#) [58102-G61-06LF](#) [582553-1](#) [0009485154](#) [009176003701906](#) [0050291907](#) [LY20-4P-DT1-P1E-BR](#) [02.125.8002.8](#)
[609-3404](#) [61062-3](#) [61082-181009](#) [622-3653LF](#) [63453-116](#) [636-1030](#) [636-1427](#) [636-3427](#) [636-4007](#) [641938-9](#) [641991-4](#) [644827-2](#) [65817-010LF](#) [65817-015LF](#) [65863-015LF](#) [66207-023LF](#) [67095-007LF](#) [67601157](#) [68645-018](#) [68648-049](#) [70.362.1628.0](#) [70-4210](#) [70-4226B](#) [70-4853B](#) [707-5020](#) [707-5028](#) [71.350.2428.0](#) [71918-208LF](#) [71961-016LF](#) [733-134](#) [733-162](#) [754199-000](#) [760-3052](#) [787-8014-00](#) [79531-3000](#)
[FCN-360C032-B](#) [FCN-367T-T012/H](#) [FCN-723D010/2](#) [80.063.4001.1](#) [800-90-001-10-001000](#) [800-90-010-10-002000](#) [801-43-002-10-013000](#)