

THIS DRAWING IS UNPUBLISHED.

RELEASED FOR PUBLICATION

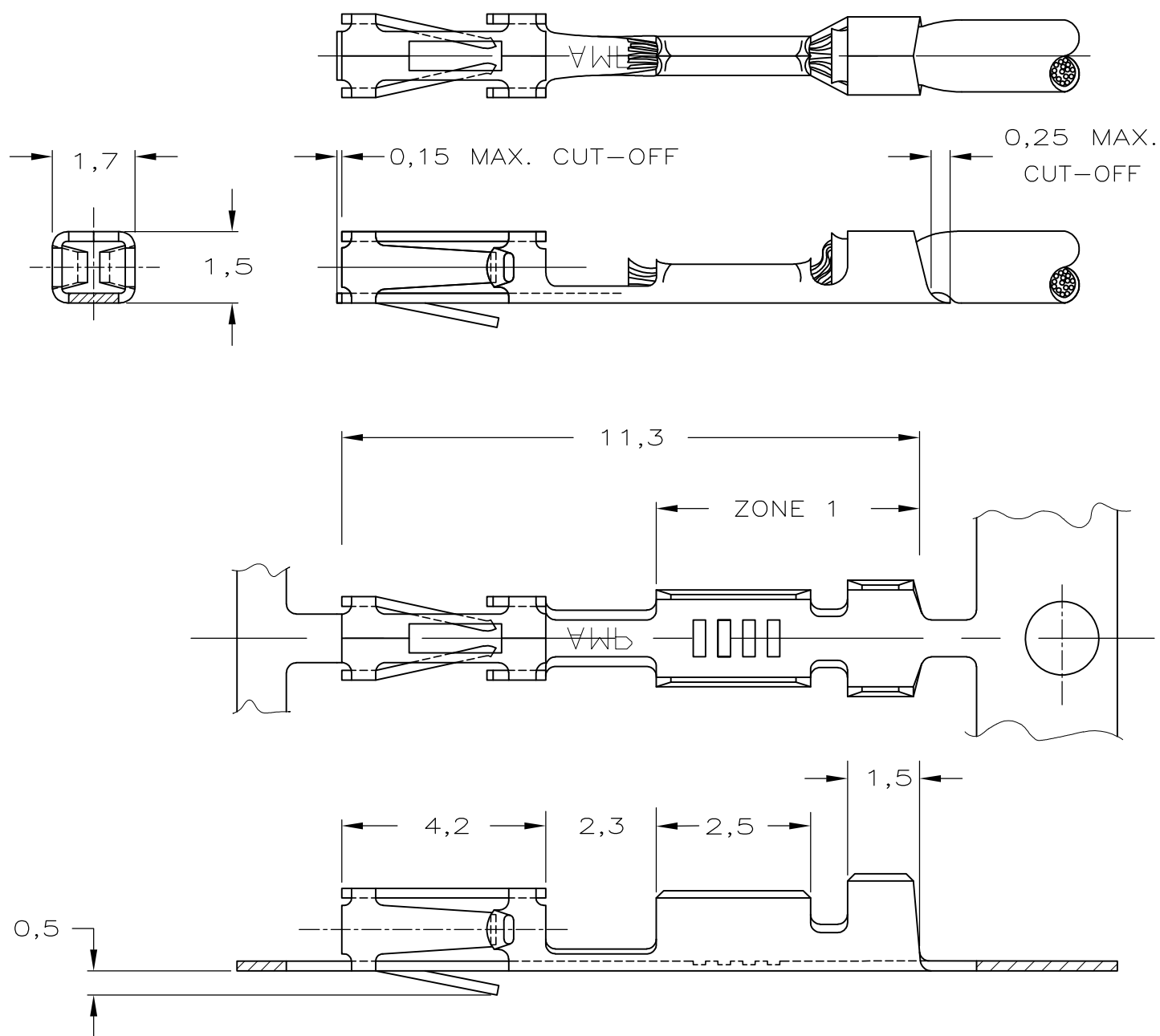
ALL RIGHTS RESERVED.

© COPYRIGHT - By -

LOC	DIST	REVISIONS					
		P	LTR	DESCRIPTION	DATE	DWN	APVD
-	-		A1	REVISED PER ECO-11-005294	02APR11	RK	HMR

NOTES:

- 1 FOR MINI-APPLICATOR CRIMPING.
- 2 UNDERCOATING: 1,25µm Ni, SELECTIVE: 0,8µm Au, ZONE 1: 0,5µm MIN. GOLDFLASH.
- 3 UNDERCOATING: 1,25µm Ni, SELECTIVE: 0,8µm Au, REMAINDER: GOLDFLASH.
- 4 ZONE 1: BRIGHT TIN/LEAD PLATED.
- 5 PRE-TIN PLATED 2,0µm.
- 6 MATERIAL: PHOSPHORBRONZE



TIN	5	167024-3	167021-3
GOLD	3	167024-2	167021-2
GOLD	2	167024-1	167021-1
FINISH		LOOSE PIECE	PARTNUMBER

THIS DRAWING IS A CONTROLLED DOCUMENT.		DWN	03 DEC 98		STE TE Connectivity				
DIMENSIONS: mm		CHK	-			AMPMODU MOD.4 RECEPTACLE, S.C.P. STRIP			
TOLERANCES UNLESS OTHERWISE SPECIFIED:		APVD	-						
0 PLC ± -		PRODUCT SPEC	-						
1 PLC ± -		NAME	-		SIZE	CAGE CODE	DRAWING NO	RESTRICTED TO	
2 PLC ± -		E.LEIJTENS		-		A3	00779	C-167021	-
3 PLC ± -		-		-		CUSTOMER DRAWING			
4 PLC ± -		-		-		SCALE	SHEET	REV	
ANGLES ± -		-		-		-	1 OF 1	A1	
FINISH		-		-					
MATERIAL		-		-					

WIRE RANGE :
0,03-0,09 mm² 28-32 AWG
INSULATION RANGE :
0,5-1,02 DIA. .020-.040 DIA.

X-ON Electronics

Largest Supplier of Electrical and Electronic Components

Click to view similar products for [Headers & Wire Housings](#) category:

Click to view products by [TE Connectivity](#) manufacturer:

Other Similar products are found below :

[892-18-020-10-001101](#) [58102-G61-06LF](#) [582553-1](#) [0009485154](#) [009176003701906](#) [0050291907](#) [LY20-4P-DT1-P1E-BR](#) [02.125.8002.8](#)
[609-3404](#) [61062-3](#) [61082-181009](#) [622-3653LF](#) [63453-116](#) [636-1030](#) [636-1427](#) [636-3427](#) [636-4007](#) [641938-9](#) [641991-4](#) [644827-2](#) [65817-](#)
[010LF](#) [65817-015LF](#) [65863-015LF](#) [66207-023LF](#) [67095-007LF](#) [67601157](#) [68645-018](#) [68648-049](#) [70.362.1628.0](#) [70-4210](#) [70-4226B](#) [70-](#)
[4853B](#) [707-5020](#) [707-5028](#) [71.350.2428.0](#) [71918-208LF](#) [71961-016LF](#) [733-134](#) [733-162](#) [754199-000](#) [760-3052](#) [787-8014-00](#) [79531-3000](#)
[FCN-360C032-B](#) [FCN-367T-T012/H](#) [FCN-723D010/2](#) [80.063.4001.1](#) [800-90-001-10-001000](#) [800-90-010-10-002000](#) [801-43-002-10-013000](#)