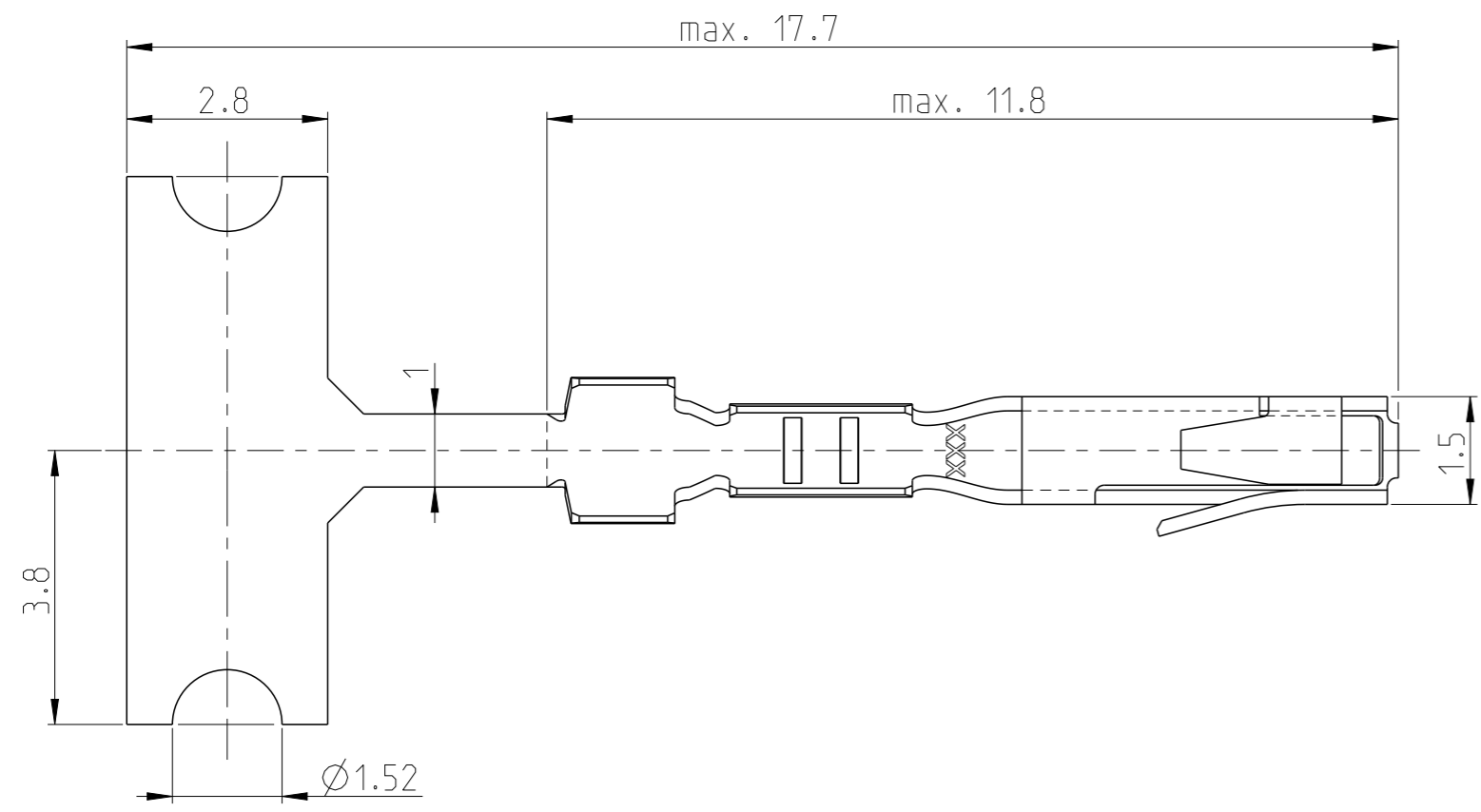


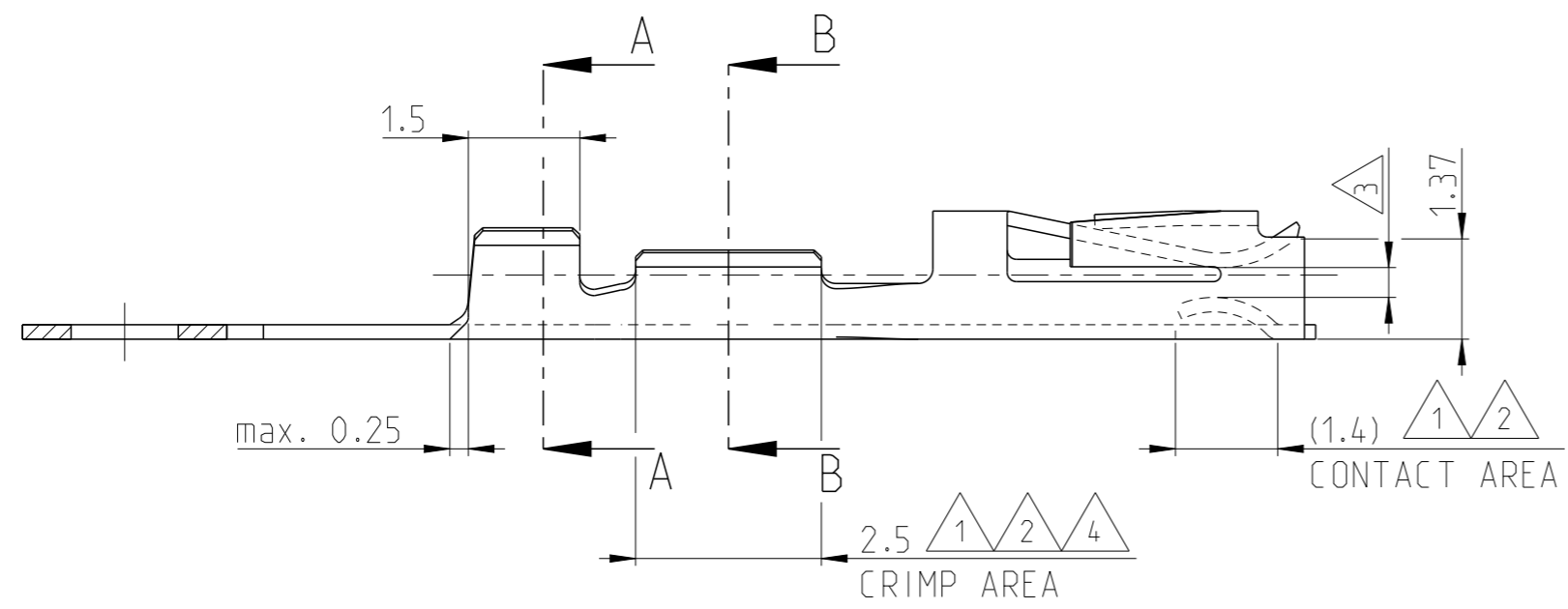
THIS DRAWING IS UNPUBLISHED. RELEASED FOR PUBLICATION 20
 © COPYRIGHT - BY - ALL RIGHTS RESERVED.

REVISIONS					
P	LTR	DESCRIPTION	DATE	DWN	APVD
	E	EH-0760-96	28JUNE1996	J.G.	R.v.L.
	E1	ECO-09-021510	15SEP2009	KK	AEG
	E2	NEW DRAWING CREATED IN CREO	26JUNE2014	JB JH	BRUN



NOTES:

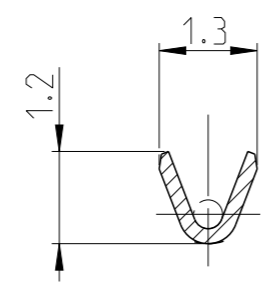
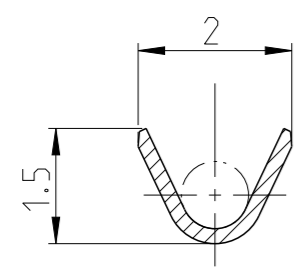
- 1 UNDERCOATING: 0.8 µm NICKEL OVERALL.
CONTACT AREA: 0.8 µm GOLD.
CRIMP AREA: GOLDFLASH
- 2 UNDERCOATING: 0.8 µm NICKEL OVERALL.
CONTACT AREA: 1.25 µm GOLD.
CRIMP AREA: GOLDFLASH
- 3 SUITABLE FOR 0.64x0.64 POST.
- 4 UNDERCOATING: 0.8 µm NICKEL OVERALL.
CONTACT AREA: 0.4 µm GOLD.
CRIMP AREA: GOLDFLASH.
- 5 ADVANCED PROD. NRS. FOR DIN 41612 PART 5 SPEC.
- 6 OBSOLETE PARTS: OBSOLETE CIS STREAMLINING PER D.RENAUD/D.SINISI.



WIRE RANGE:
28-32 AWG
0.03-0.09 mm²
INSULATION RANGE:
0.5-1.02 DIA.

SECTION A-A

SECTION B-B



5 167042-4	4	PHOSPHORBRONZE	6 167041-7
6 167042-2	2		6 167041-4
167042-1	1		167041-2
LOOSE PIECE NUMBER	PLATING	MATERIAL	STRIPNUMBER

DIMENSIONS:		TOLERANCES UNLESS OTHERWISE SPECIFIED:	
mm		n. ISO 8015 n. ISO 2768-mH	
0 PLC	±	0 PLC	±
1 PLC	±	1 PLC	±
2 PLC	±	2 PLC	±
3 PLC	±	3 PLC	±
4 PLC	±	4 PLC	±
ANGLES	±	ANGLES	±
MATERIAL	-	FINISH	-

THIS DRAWING IS A CONTROLLED DOCUMENT. DWN J.Gibbels 22FEB1991

CHK R.v.Lokven

APVD R.Smeets

PRODUCT SPEC

APPLICATION SPEC

WEIGHT

Customer Drawing

STE TE Connectivity

NAME STANDARD TANDEM SPRING RECEPTACLE

SIZE A3 CAGE CODE 00779 DRAWING NO C-167041 RESTRICTED TO

SCALE 10:1 SHEET 1 OF 1 REV E2

X-ON Electronics

Largest Supplier of Electrical and Electronic Components

Click to view similar products for [Headers & Wire Housings](#) category:

Click to view products by [TE Connectivity](#) manufacturer:

Other Similar products are found below :

[892-18-020-10-001101](#) [58102-G61-06LF](#) [582553-1](#) [0009485154](#) [009176003701906](#) [0050291907](#) [LY20-4P-DT1-P1E-BR](#) [02.125.8002.8](#)
[609-3404](#) [61062-3](#) [61082-181009](#) [622-3653LF](#) [63453-116](#) [636-1030](#) [636-1427](#) [636-3427](#) [636-4007](#) [641938-9](#) [641991-4](#) [644827-2](#) [65817-](#)
[010LF](#) [65817-015LF](#) [65863-015LF](#) [66207-023LF](#) [67095-007LF](#) [67601157](#) [68645-018](#) [68648-049](#) [70.362.1628.0](#) [70-4210](#) [70-4226B](#) [70-](#)
[4853B](#) [707-5020](#) [707-5028](#) [71.350.2428.0](#) [71918-208LF](#) [71961-016LF](#) [733-134](#) [733-162](#) [754199-000](#) [760-3052](#) [787-8014-00](#) [79531-3000](#)
[FCN-360C032-B](#) [FCN-367T-T012/H](#) [FCN-723D010/2](#) [80.063.4001.1](#) [800-90-001-10-001000](#) [800-90-010-10-002000](#) [801-43-002-10-013000](#)