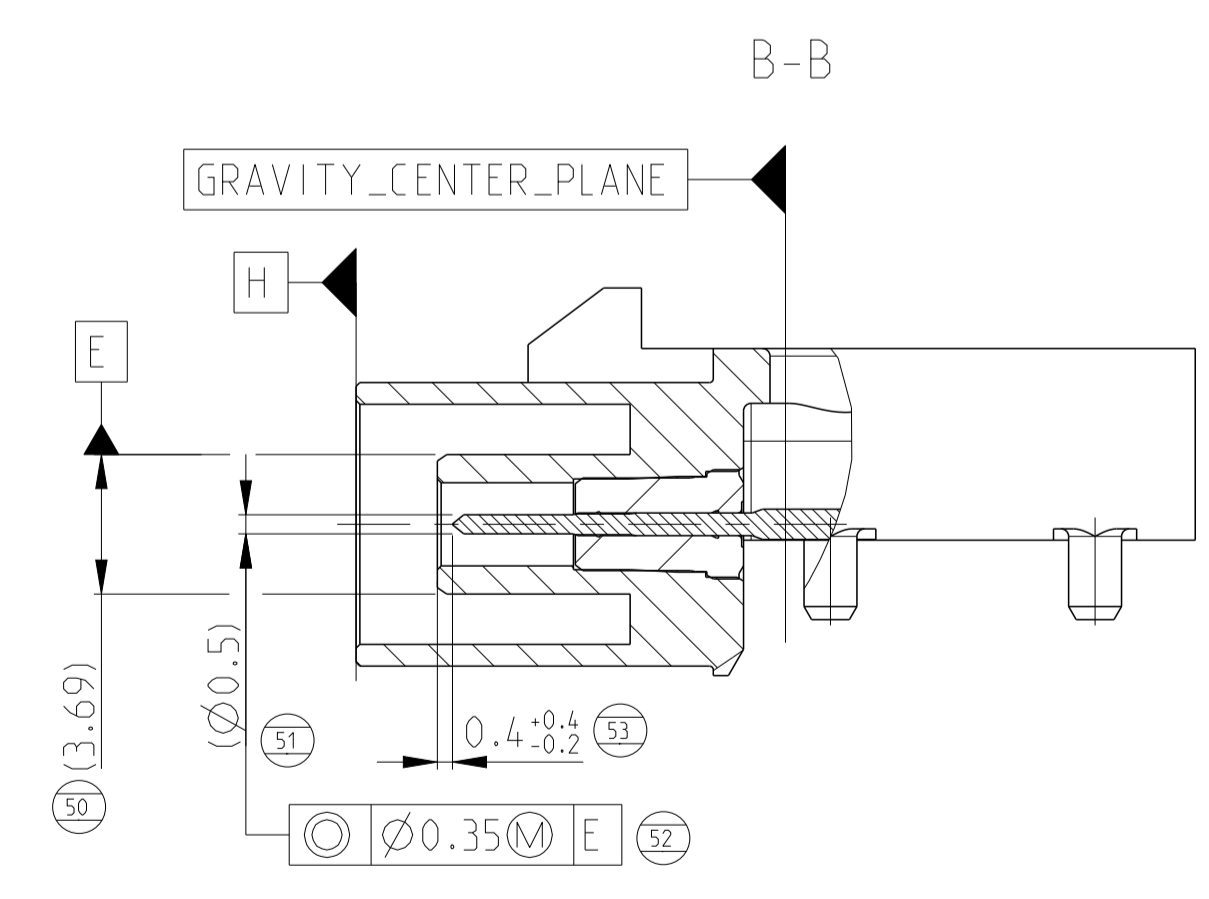
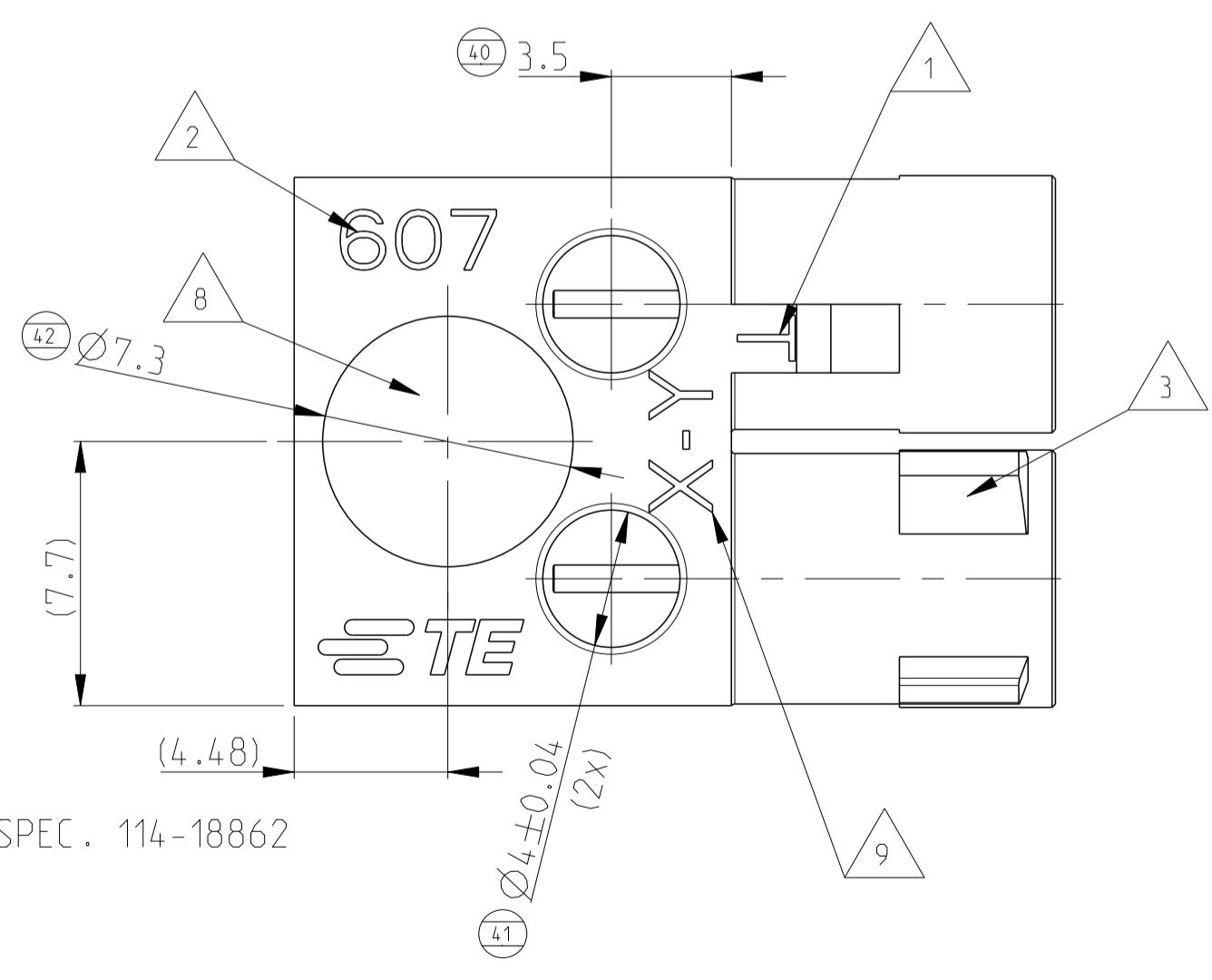
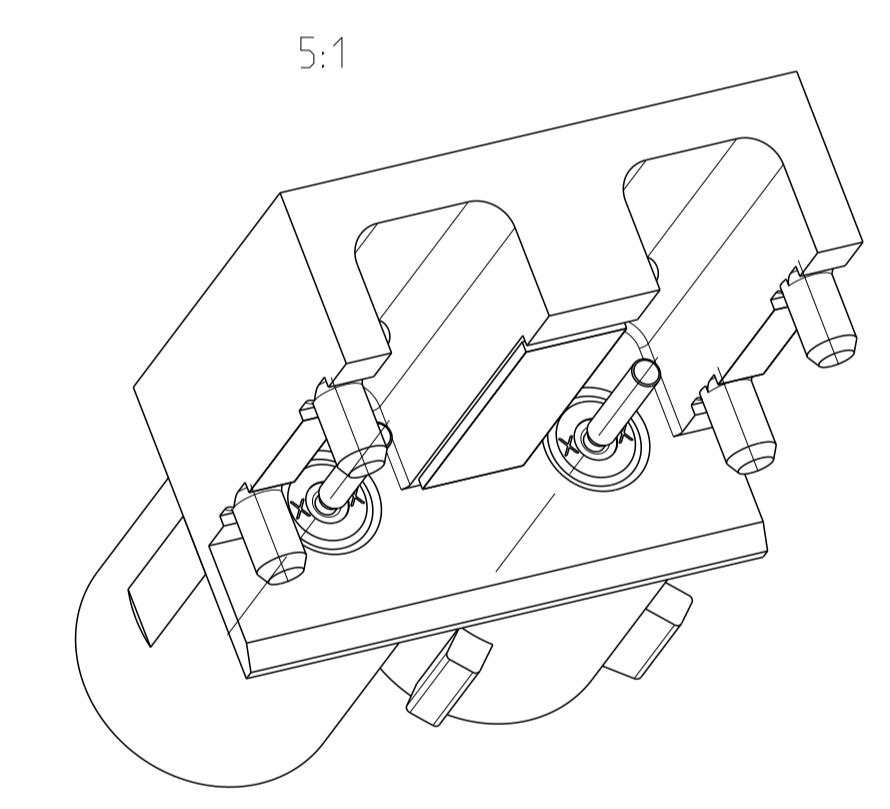


PROJECT No.		REVISIONS				
P	LTN	DESCRIPTION	DATE	DWN	APVD	
EGATN04036		E6	ECR-15-010522	14 JUL 2015	JB, JH	NR
PRJ-11-000003682		E7	ECR-16-004072	17 MAR 2016	JB, JH	NR
		E8	ECR-16-012000	22 AUG 2016	SCK	NR
		E9	ECR-17-005939	26 APR 2017	TSV	NR

RECOMMENDED PCB LAYOUT SCALE 5:1



- ① PART REVISION MARKING (NOT OF ASSEMBLY REVISION)
- ② LAST 3 DIGITS OF ASSEMBLY BASE PART NUMBER
- ③ CODING RIBS FOR CONFIGURATION OF THE MECHANICAL CODINGS ACC. TO DIN72594-1. THE CONFIGURATION OF THE CODINGS IS SHOWN ON SHEET 2.
- ④ PACKAGING: BLISTER SMD ESD, SHOWN ON SHEET 3
- ⑤ COINING DOTS FOR FIXING POSITION OF THE DIELECTRIC - SEE IN APP. SPEC. 114-18862
- ⑥ COLOR MARKING ACC. TABLE
- ⑦ PLATING THICKNESS - SEE TABLE
- ⑧ AREA FOR VACUUM PICKER
- ⑨ DASH NUMBER OF PART (DEPENDANT OF CODING, SEE TABLE)
- ⑩ FOR ALS30 ANTI TARNISH SEE SPEC. 104-32033, 105-32033, 118-32093
- ⑪ FOR PACKAGING INSTRUCTIONS SEE V1670607.

DESCRIPTION	QTY.	FINISHED SURFACE	SUBLAYER	MATERIAL	POS.
OUTER SHELL	1	ALS30		Zn-ALLOY	3
DIELECTRIC	2	-		PA	2
CENTER CONTACT	2	Au-COATED min 0.6 µm		CuZn	1

TOLERANCING ISO 8015
 DIMENSIONING AND TOLERANCING PER GPS (ISO STANDARDS)

DIMENSIONS:	TOLERANCES UNLESS OTHERWISE SPECIFIED:
mm	0 PLC ±0.2
	1 PLC ±0.2
	2 PLC ±0.2
	3 PLC ±0.2
	4 PLC ±0.2
ANGLES	±0.2
MATERIAL	FINISH

Customer Drawing

OWN: D. De Cloet
 CHK: W. Mueller
 APVD: W. Stabroch

29SEP2006
 10OCT2006
 10OCT2006

NAME: FAKRA PCB 2POS. JACK, RIGHT ANGLED Assembly

SIZE: A1
 CAGE CODE: 00779
 DRAWING NO: 114-18862
 WEIGHT: ~6.535 g
 SCALE: 5:1

RESTRICTED TO

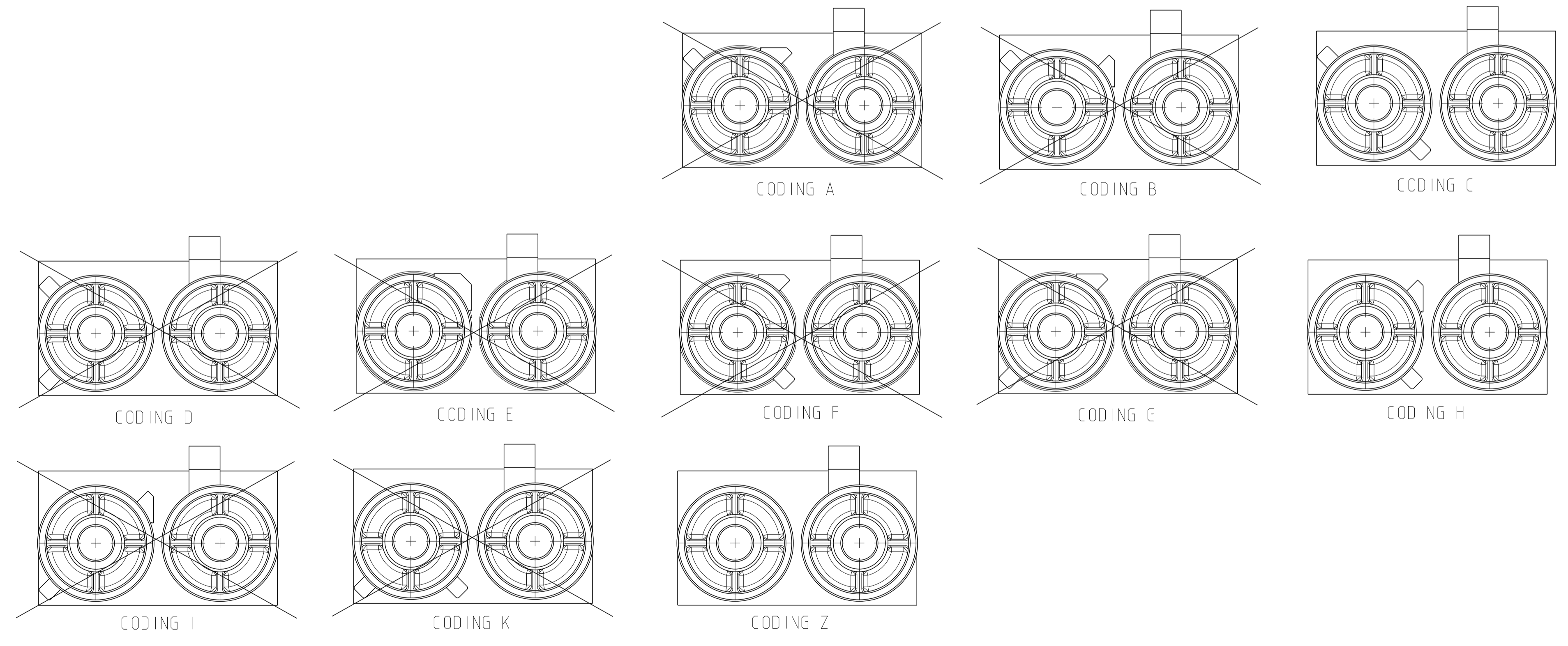
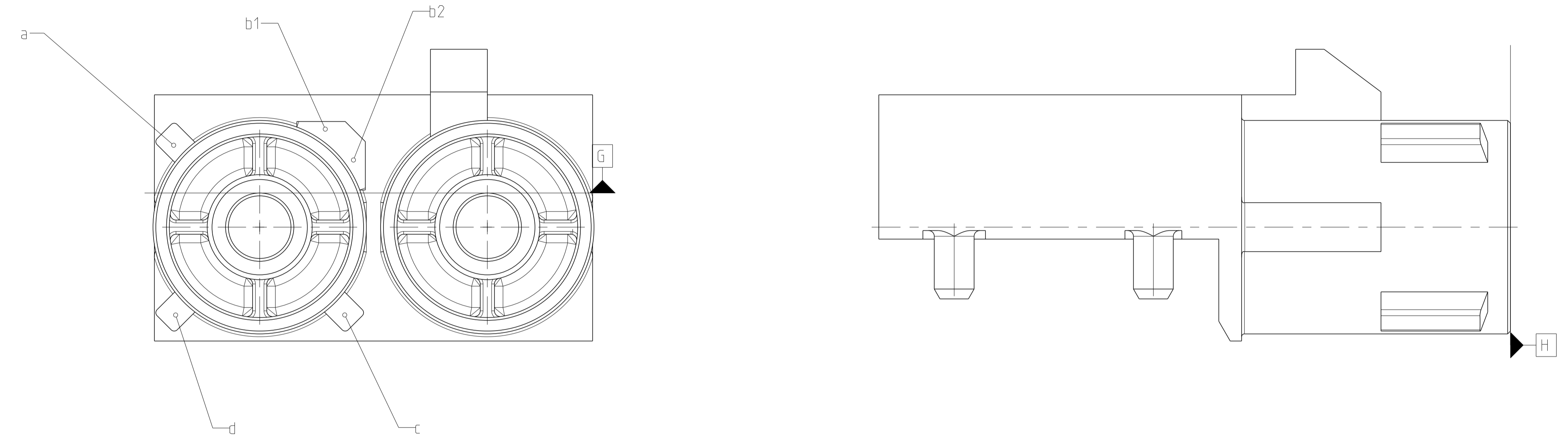
REV E9

none	1-1670607-1	Z	RAL5021
-	1-1670607-0	K	RAL1027
-	1670607-9	I	RAL1001
ALS30	1670607-8	H	RAL4003
-	1670607-7	G	RAL7031
-	1670607-6	F	RAL8011
-	1670607-5	E	RAL6002
-	1670607-4	D	RAL4004
none	1670607-3	C	RAL5005
-	1670607-2	B	RAL9001
-	1670607-1	A	RAL9005
ANTI TARNISH	ASSEMBLY PART NUMBER	CODING	SIMILAR COLOR RAL

PROJECT No.		REVISIONS			
P	LTN	DESCRIPTION	DATE	DWN	APVD
-	-	SEE SHEET 1	-	-	-

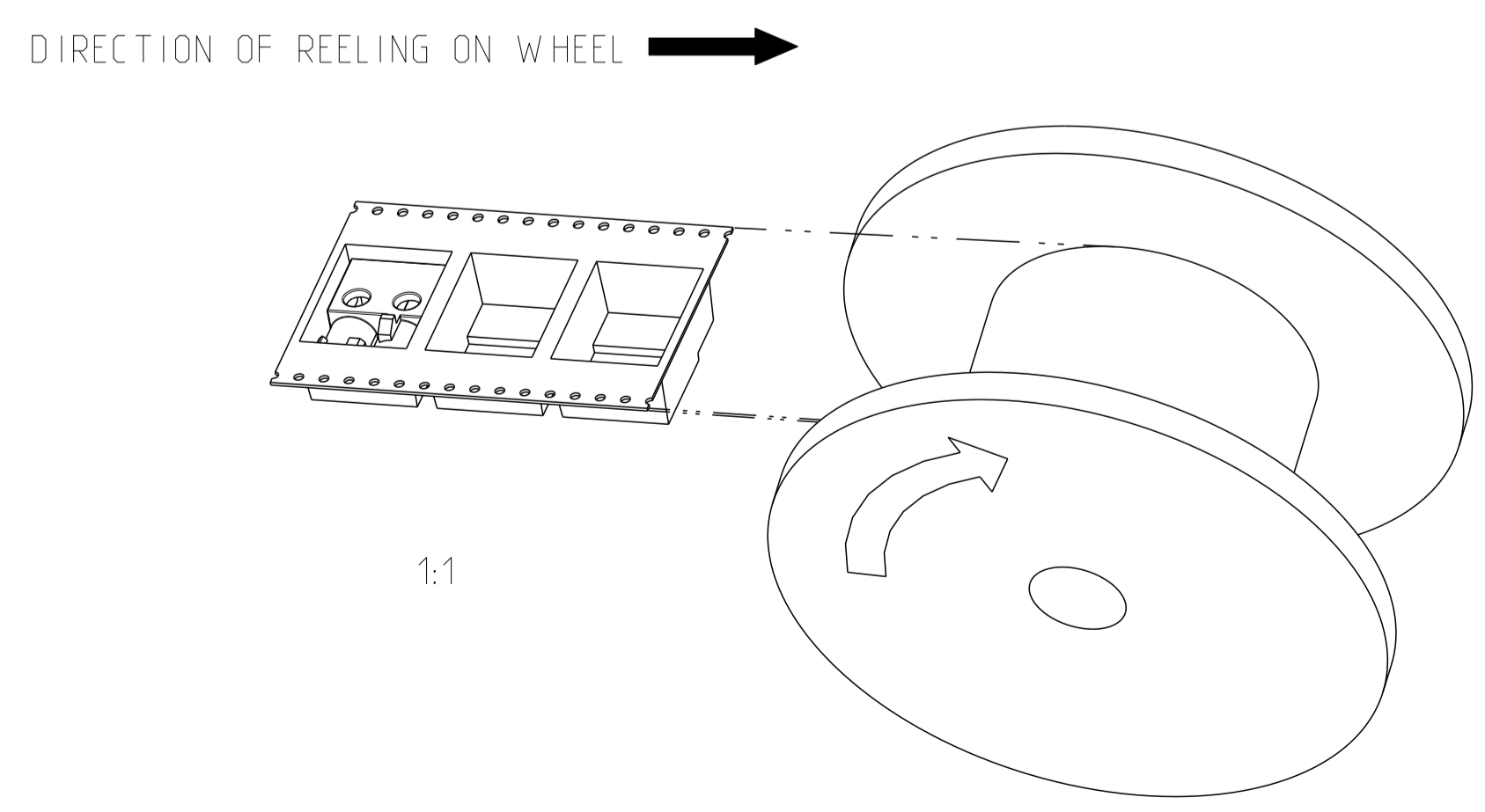
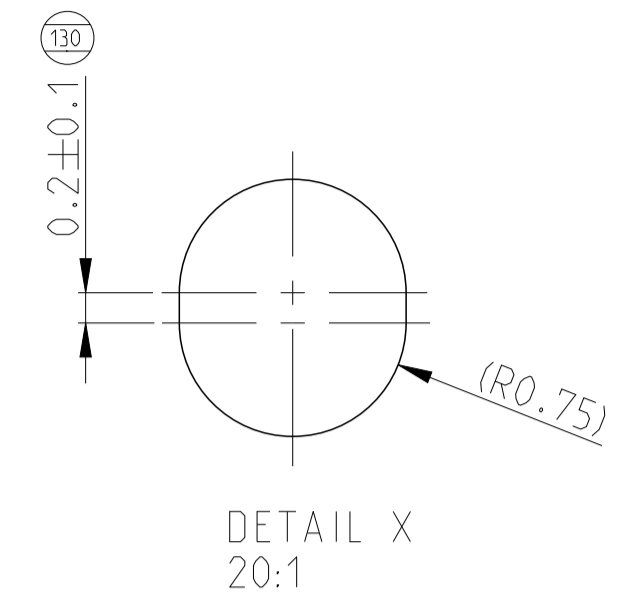
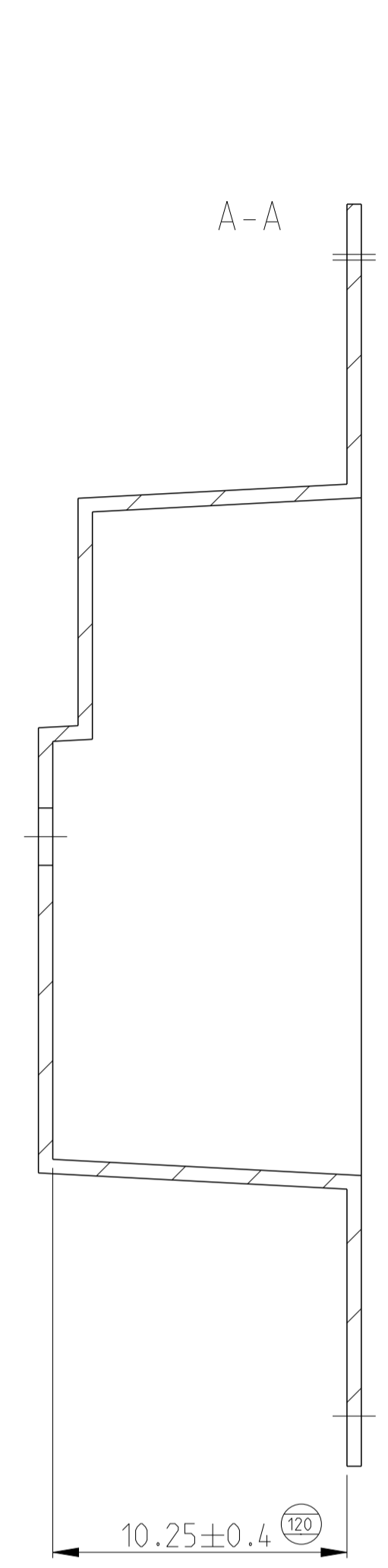
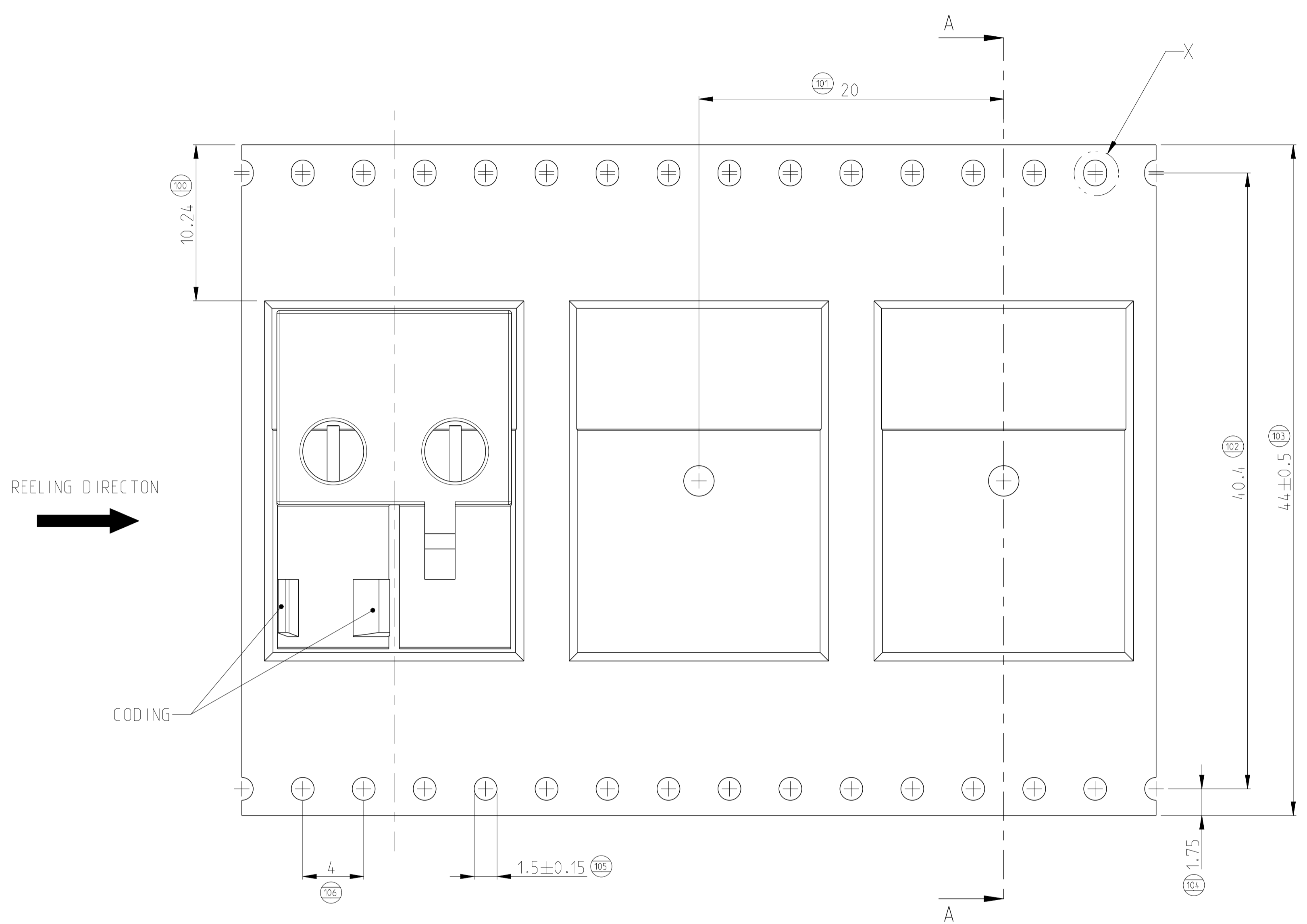
ALL CODING RIBS SHOWN

10:1



THIS DRAWING IS A CONTROLLED DOCUMENT.		TOLERANCING ISO 8015 TOLERIERUNG ISO 8015		DWN 29SEP2006 G. De Cloet	
DIMENSIONS: mm		TOLERANCES UNLESS OTHERWISE SPECIFIED:		CHK 10OCT2006 W. Mueller	
		0 PLC ±0.2 1 PLC ±0.2 2 PLC ±0.2 3 PLC ±0.2 4 PLC ±0.2 ANGLES ±0.2		APVD 10OCT2006 W. Stabroth	
MATERIAL: -		FINISH: -		PRODUCT SPEC 108-18079	
-		-		APPLICATION SPEC 116-18862	
-		-		WEIGHT ~6.535 g	
-		-		Customer Drawing	
-		-		NAME FAKRA PCB 2POS. JACK, RIGHT ANGLED Assembly	
-		-		SIZE A1	
-		-		CAGE CODE 00779	
-		-		DRAWING NO. C=1670607	
-		-		RESTRICTED TO -	
-		-		SCALE 5:1	
-		-		SHEET 2 OF 3	
-		-		REV E9	

PROJECT No.		REVISIONS			
P.	LTN.	DESCRIPTION	DATE	DWN.	APVD.
-	-	SEE SHEET 1	-	-	-



THIS DRAWING IS A CONTROLLED DOCUMENT.		TOLERANCING ISO 8015 TOLERIERUNG ISO 8015		DWN: 29SEP2006 G. De Cloet	
DIMENSIONS: mm		TOLERANCES UNLESS OTHERWISE SPECIFIED:		CHK: 10OCT2006 W. Mueller	
0 PLC ±0.2		1 PLC ±0.2		APVD: 10OCT2006 W. Stabroth	
2 PLC ±0.2		3 PLC ±0.2		NAME: -	
4 PLC ±0.2		ANGLES ±0.2		PRODUCT SPEC: 108-18079	
MATERIAL: -		FINISH: -		APPLICATION SPEC: 116-18862	
-		-		WEIGHT: ~6.535 g	
-		-		Customer Drawing	
-		-		SIZE: A1	
-		-		CAGE CODE: 00779	
-		-		DRAWING NO: C=1670607	
-		-		RESTRICTED TO: -	
-		-		SCALE: 5:1	
-		-		SHEET: 3 of 3	
-		-		REV: E9	



X-ON Electronics

Largest Supplier of Electrical and Electronic Components

Click to view similar products for [Automotive Connectors](#) category:

Click to view products by [TE Connectivity](#) manufacturer:

Other Similar products are found below :

[003-018-000](#) [60403001](#) [60993906-B](#) [M902-2131](#) [M902-2161](#) [M902-2344](#) [72.330.1035.1](#) [73.353.4028.0](#) [F119300-B](#) [F166900](#) [F258300-B](#)
[F358300-B](#) [F407400](#) [F444110](#) [F487000](#) [F509500B-B](#) [827153-1](#) [8N1515-32-24P](#) [9-1326729-8](#) [925474-1](#) [928905-1](#) [964562-4](#) [968782-1](#)
[GT17SA-8DS-HU](#) [98891-1012](#) [98947-1016](#) [12004147](#) [12004475-L](#) [12010290](#) [12010309-B](#) [12015454](#) [12020219-B](#) [12041318-B](#) [12052225-](#)
[L](#) [12052466](#) [12064869](#) [12004327-B](#) [12015308](#) [12015384](#) [12015909](#) [1-21030-1](#) [12041254](#) [12041318](#) [12047946-B](#) [12047957](#) [12047957-L](#)
[12059473](#) [12066261](#) [12110546](#) [12110546-B](#)