

- ① PART REVISION MARKING (NOT OF ASSEMBLY REVISION)
- ② LAST 3 DIGITS OF ASSEMBLY BASE PART NUMBER
- ③ CODING RIBS FOR CONFIGURATION OF THE MECHANICAL CODINGS ACC. TO DIN72594-1. THE CONFIGURATION OF THE CODINGS IS SHOWN ON SHEET 2.
- ④ PACKAGING: BLISTER SMD ESD, SHOWN ON SHEET 3
- ⑤ COINING DOTS FOR FIXING POSITION OF THE DIELECTRIC - SEE IN APP. SPEC. 114-18862
- ⑥ COLOR MARKING ACC. TABLE
- ⑦ PLATING THICKNESS - SEE TABLE
- ⑧ AREA FOR VACUUM PICKER
- ⑨ DASH NUMBER OF PART (DEPENDANT OF CODING, SEE TABLE)
- ⑩ FOR ALS30 ANTI TARNISH SEE SPEC. 104-32033, 105-32033, 118-32093
- ⑪ FOR PACKAGING INSTRUCTIONS SEE V1670607.

none	1-1670607-1	Z	RAL5021
-	1-1670607-0	K	RAL1027
-	1670607-9	I	RAL1001
ALS30	1670607-8	H	RAL4003
-	1670607-7	G	RAL7031
-	1670607-6	F	RAL8011
-	1670607-5	E	RAL6002
-	1670607-4	D	RAL4004
none	1670607-3	C	RAL5005
-	1670607-2	B	RAL9001
-	1670607-1	A	RAL9005
ANTI TARNISH	ASSEMBLY PART NUMBER	CODING ③	SIMILAR COLOR RAL ⑥

OUTER SHELL	1	ALS30 ⑩	Surface- min 0.3µm Sn over min 0.5µm Ni both over min. 2.0µm Cu.	Zn-ALLOY	3
DIELECTRIC	2	-	-	PA	2
CENTER CONTACT	2	Au-COATED min 0.6µm	-	CuZn	1
DESCRIPTION	QTY.	FINISHED SURFACE	SUBLAYER	MATERIAL	POS.

TOLERANCING ISO 8015  
 DIMENSIONING AND TOLERANCING PER GPS (ISO STANDARDS)

THIS DRAWING IS A CONTROLLED DOCUMENT. DIMENSIONING AND TOLERANCING PER GPS (ISO STANDARDS)

OWN: D. De Cloet  
 CHK: W. Mueller  
 APVD: W. Stabroch

29SEP2006  
 10OCT2006  
 10OCT2006

PRODUCT SPEC: 108-18079  
 APPLICATION SPEC: 114-18862

NAME: FAKRA PCB 2POS. JACK, RIGHT ANGLED Assembly  
 SIZE: A1  
 CAGE CODE: 00779  
 DRAWING NO: 1670607

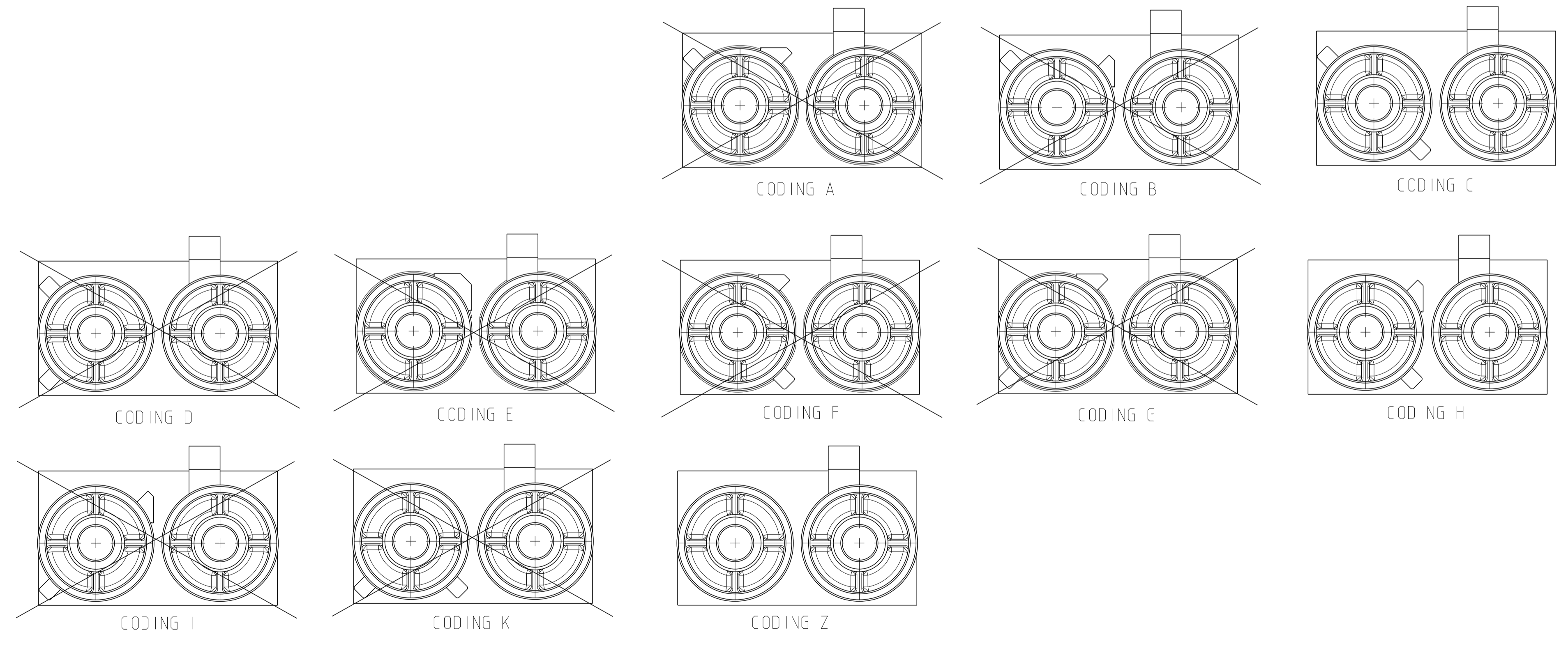
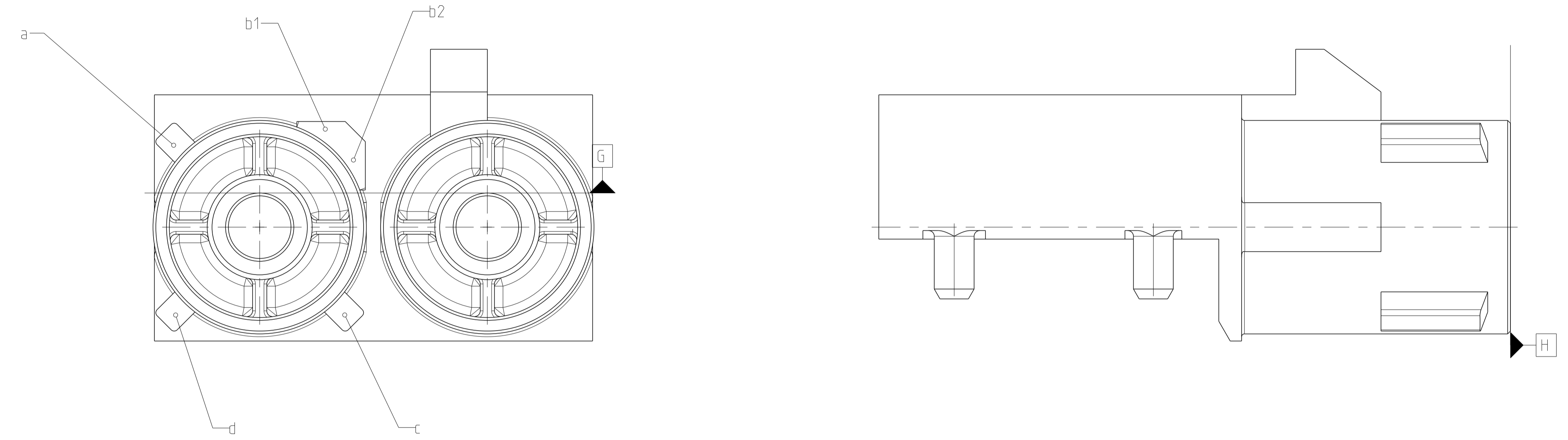
RESTRICTED TO: -

Customer Drawing  
 SCALE: 5:1  
 SHEET: 1 of 3  
 REV: E9

PROJECT No.		REVISIONS			
P	LTN	DESCRIPTION	DATE	DWN	APVD
-	-	SEE SHEET 1	-	-	-
EGATN04036					
PRJ-11-000003682					

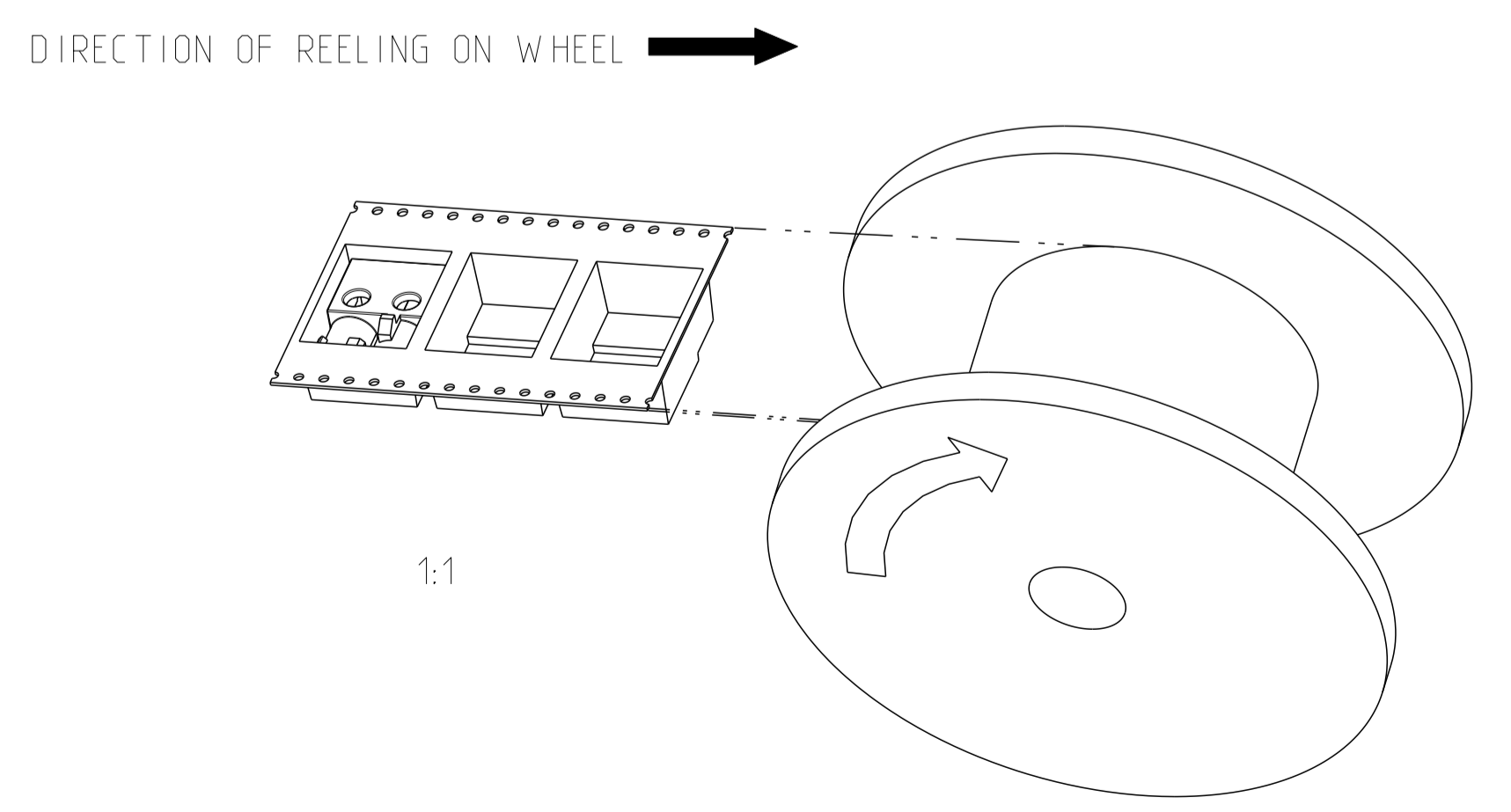
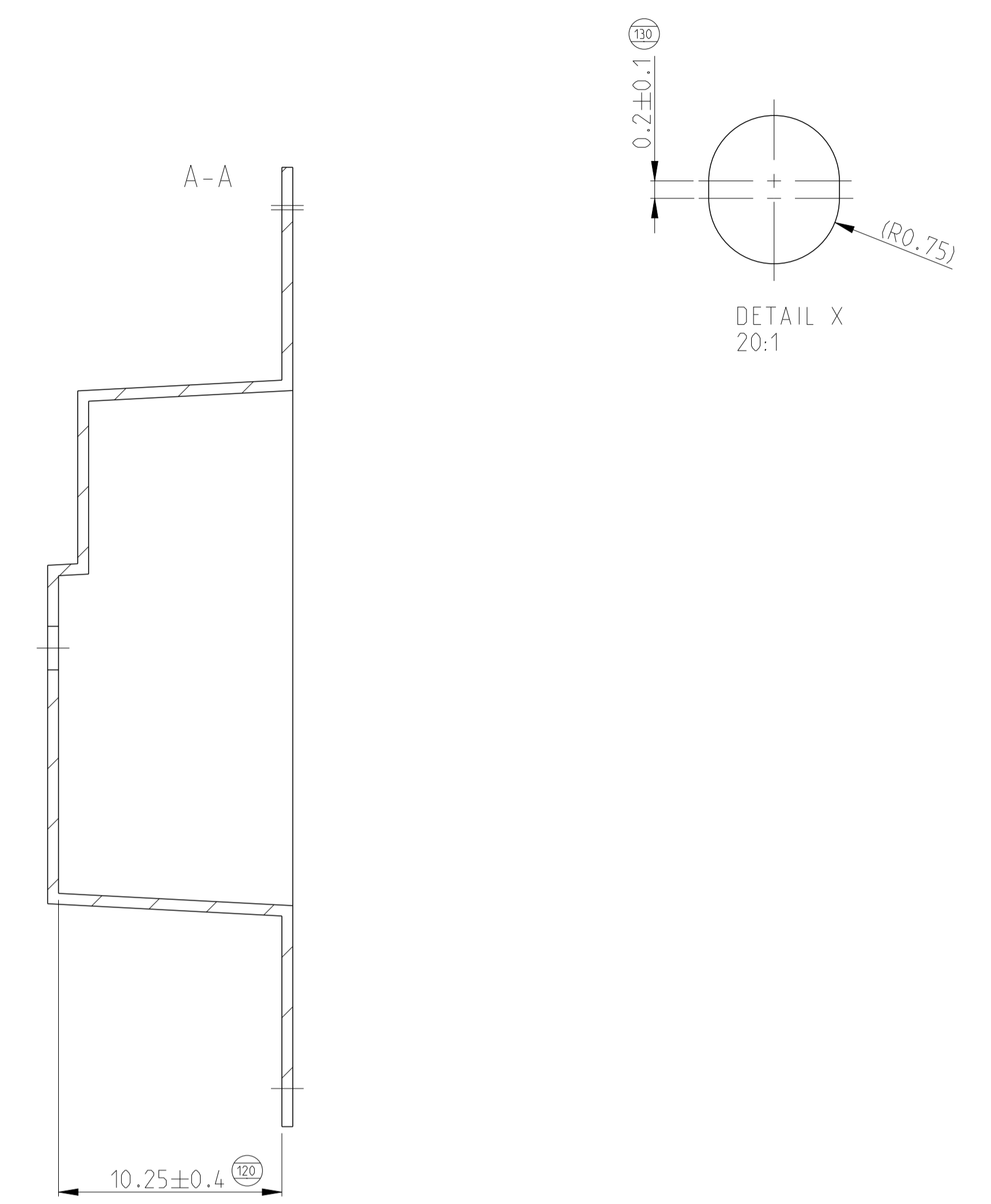
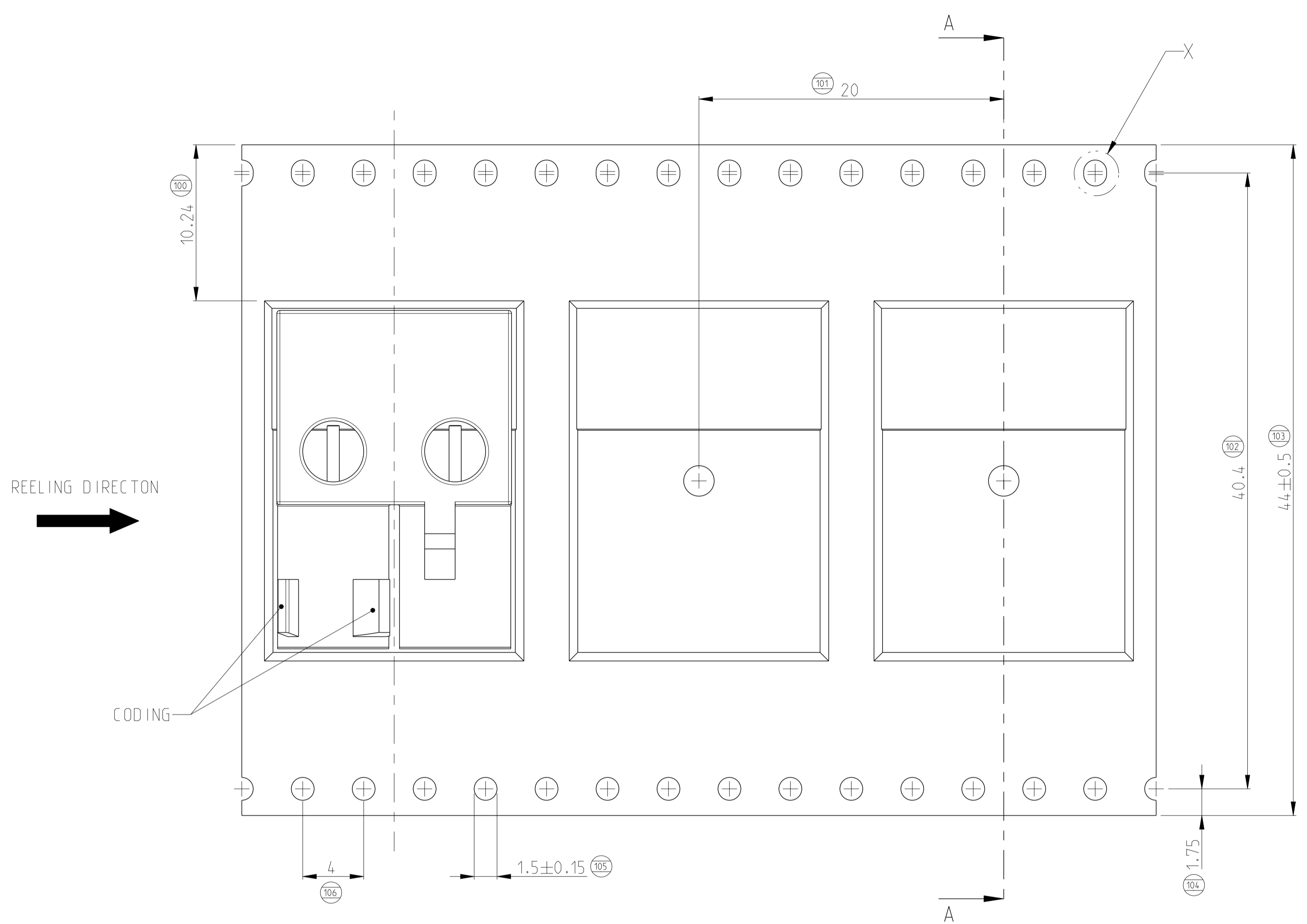
ALL CODING RIBS SHOWN

10:1



THIS DRAWING IS A CONTROLLED DOCUMENT.		TOLERANCING ISO 8015 TOLERIERUNG ISO 8015		DWN 29SEP2006 G. De Cloet															
DIMENSIONS: mm		TOLERANCES UNLESS OTHERWISE SPECIFIED:		CHK 10OCT2006 W. Mueller															
<table border="1"> <tr><td>0 PLC</td><td>±0.2</td></tr> <tr><td>1 PLC</td><td>±0.2</td></tr> <tr><td>2 PLC</td><td>±0.2</td></tr> <tr><td>3 PLC</td><td>±0.2</td></tr> <tr><td>4 PLC</td><td>±0.2</td></tr> <tr><td>ANGLES</td><td>±0.2</td></tr> <tr><td>FINISH</td><td>±1*</td></tr> </table>		0 PLC	±0.2	1 PLC	±0.2	2 PLC	±0.2	3 PLC	±0.2	4 PLC	±0.2	ANGLES	±0.2	FINISH	±1*	APVD 10OCT2006 W. Stabroth		NAME -	
0 PLC	±0.2																		
1 PLC	±0.2																		
2 PLC	±0.2																		
3 PLC	±0.2																		
4 PLC	±0.2																		
ANGLES	±0.2																		
FINISH	±1*																		
MATERIAL -		PRODUCT SPEC 108-18079		FAKRA PCB 2POS. JACK, RIGHT ANGLED Assembly															
-		APPLICATION SPEC 116-18862		SIZE A1															
-		WEIGHT -6.535 g		CAGE CODE 00779															
Customer Drawing		SCALE 5:1		SHEET 2 OF 3															
				REV E9															

PROJECT No.		REVISIONS			
P.	LTN.	DESCRIPTION	DATE	DWN.	APVD.
-	-	SEE SHEET 1	-	-	-



THIS DRAWING IS A CONTROLLED DOCUMENT.		TOLERANCING ISO 8015 TOLERIERUNG ISO 8015		DWN: 29SEP2006 G. De Cloet	
DIMENSIONS: mm		TOLERANCES UNLESS OTHERWISE SPECIFIED:		CHK: 10OCT2006 W. Mueller	
MATERIAL: -		FINISH: -		APVD: 10OCT2006 W. Stabroth	
0 PLC ±0.2		1 PLC ±0.2		NAME: -	
2 PLC ±0.2		3 PLC ±0.2		PRODUCT SPEC: 108-18079	
4 PLC ±0.2		ANGLES ±0.2		APPLICATION SPEC: 116-18862	
MATERIAL: -		FINISH: -		SIZE: A1	
Customer Drawing		WEIGHT: ~6.535 g		CAGE CODE: 00779	
		DRAWING NO: C=1670607		RESTRICTED TO: -	
		SCALE: 5:1		SHEET: 3 OF 3	
				REV: E9	

## X-ON Electronics

Largest Supplier of Electrical and Electronic Components

*Click to view similar products for [Automotive Connectors](#) category:*

*Click to view products by [TE Connectivity](#) manufacturer:*

Other Similar products are found below :

[003-018-000](#) [60403001](#) [60993906-B](#) [M902-2131](#) [M902-2161](#) [72.330.1035.1](#) [73.353.4028.0](#) [F119300-B](#) [F166900](#) [F258300-B](#) [F358300-B](#)  
[F407400](#) [F444110](#) [F487000](#) [F509500B-B](#) [827153-1](#) [8N1515-32-24P](#) [9-1326729-8](#) [925474-1](#) [928905-1](#) [964562-4](#) [968782-1](#) [GT17SA-8DS-](#)  
[HU](#) [98891-1012](#) [98947-1016](#) [12004147](#) [12004475-L](#) [12010290](#) [12010309-B](#) [12015454](#) [12020219-B](#) [12020308](#) [12041318-B](#) [12052225-L](#)  
[12052466](#) [12059125](#) [12064869](#) [12004327-B](#) [12010503-B](#) [12015308](#) [12015384](#) [12015909](#) [1-21030-1](#) [12041254](#) [12041318](#) [12047946-B](#)  
[12047957](#) [12047957-L](#) [12059473](#) [12066261](#)