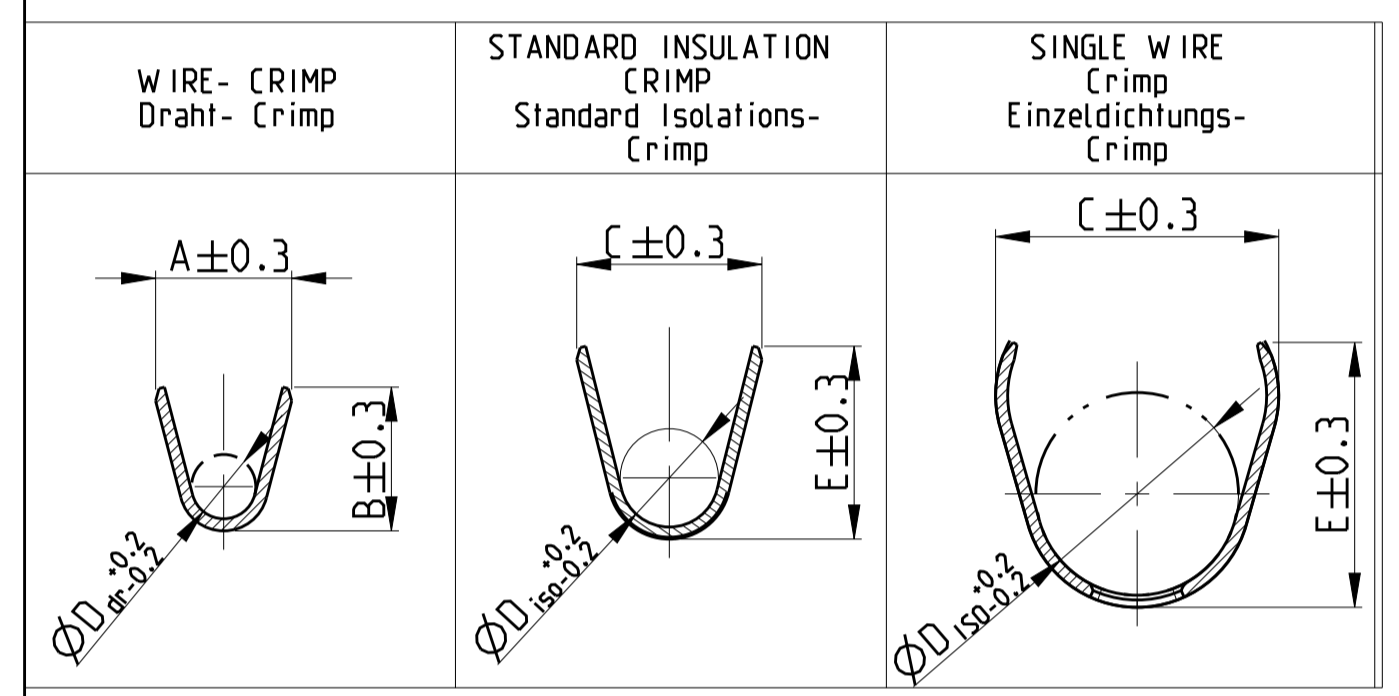
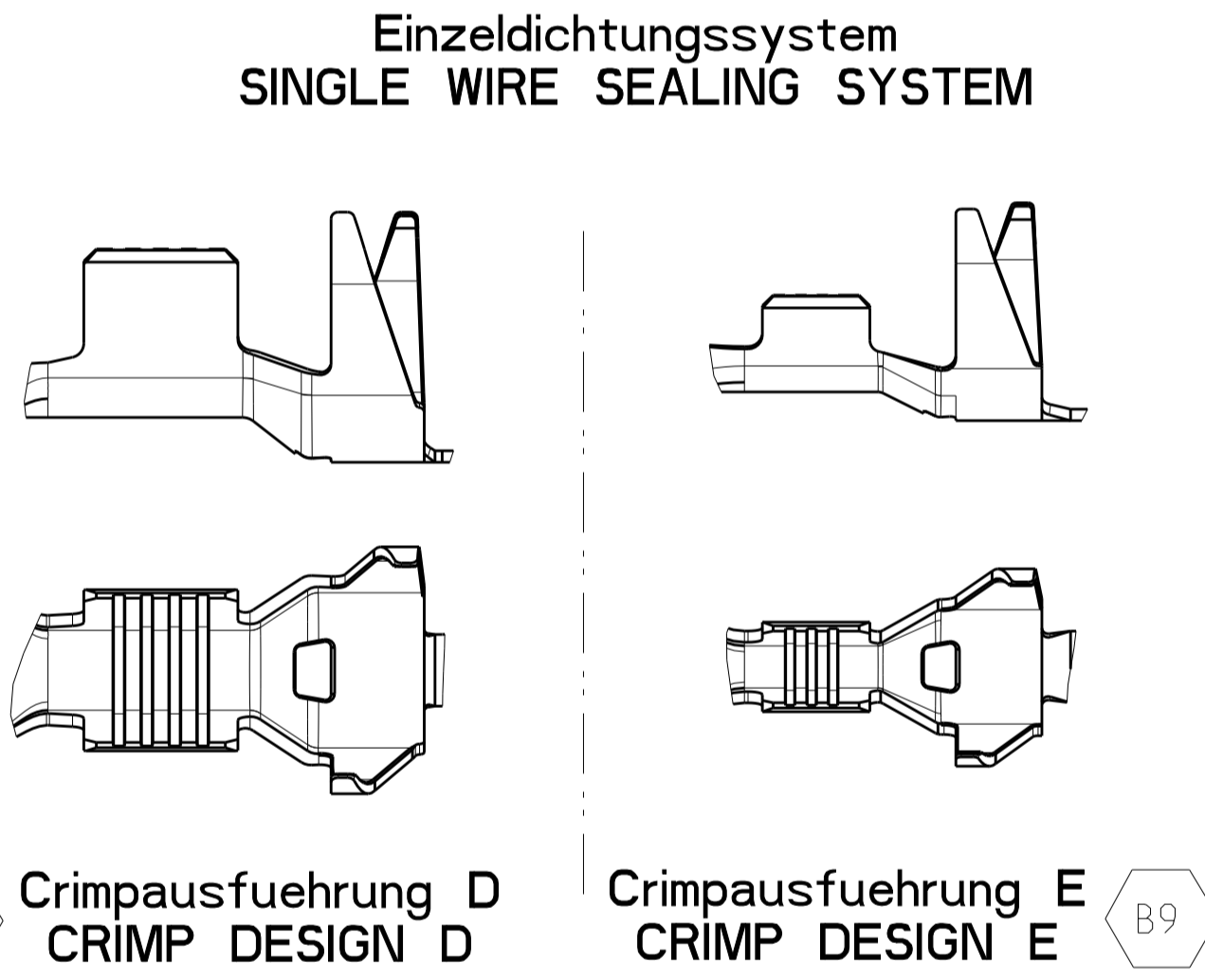
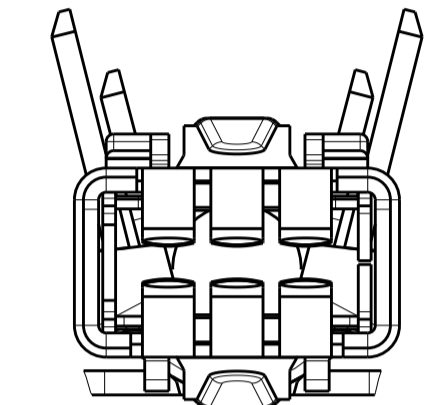
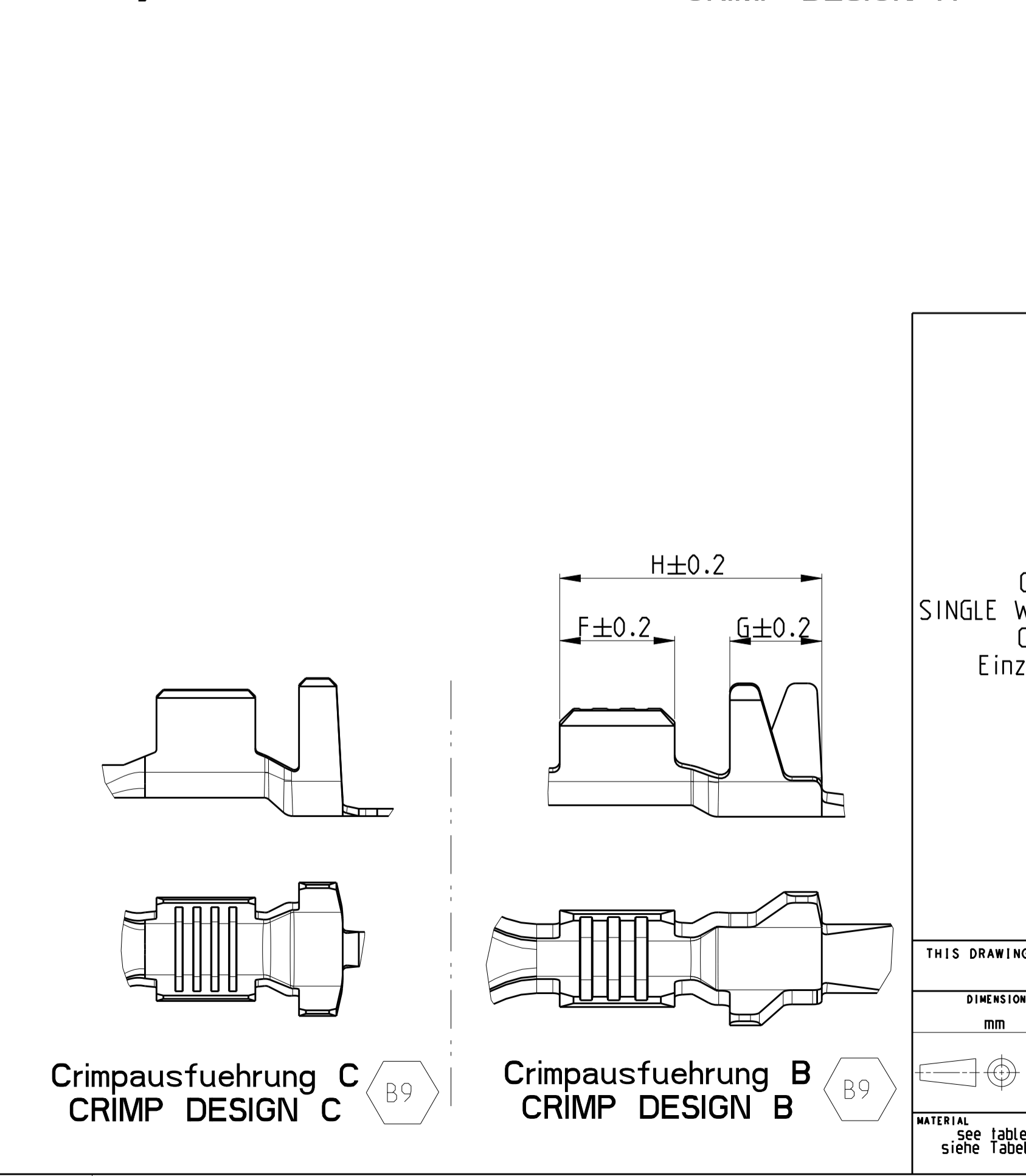
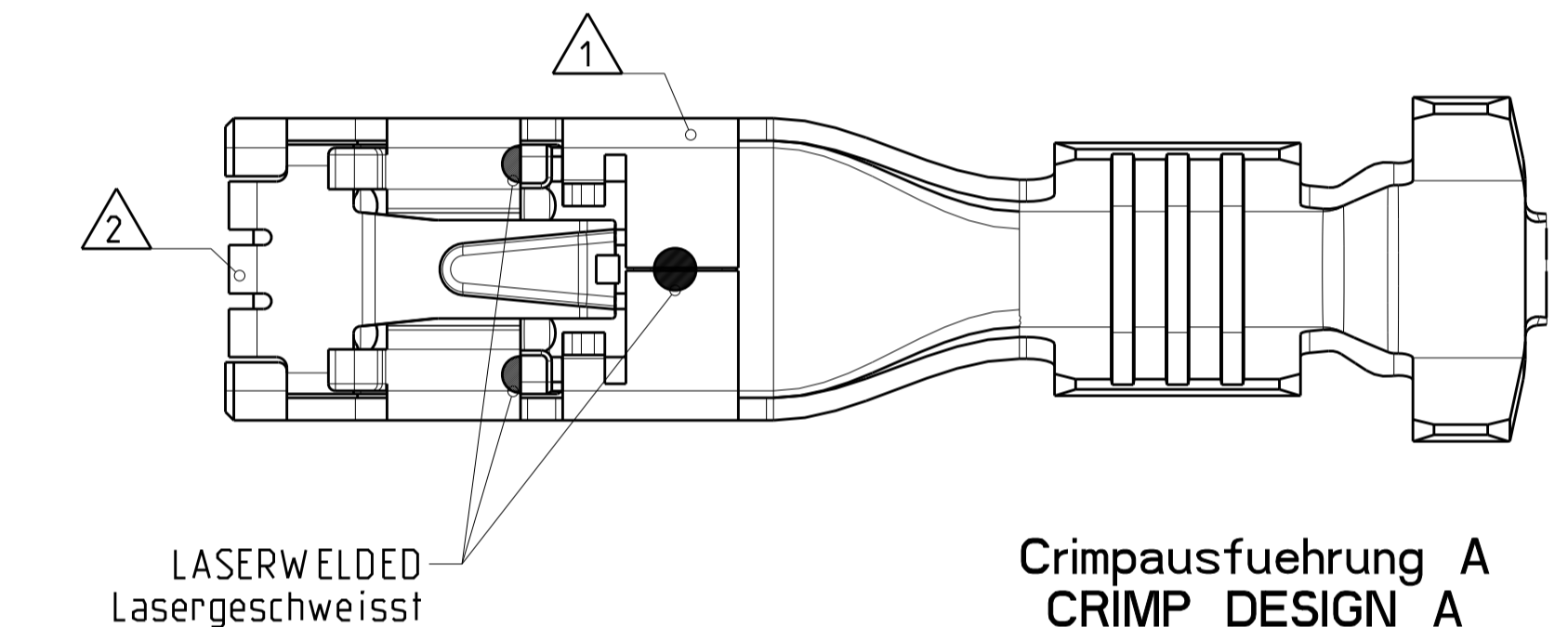
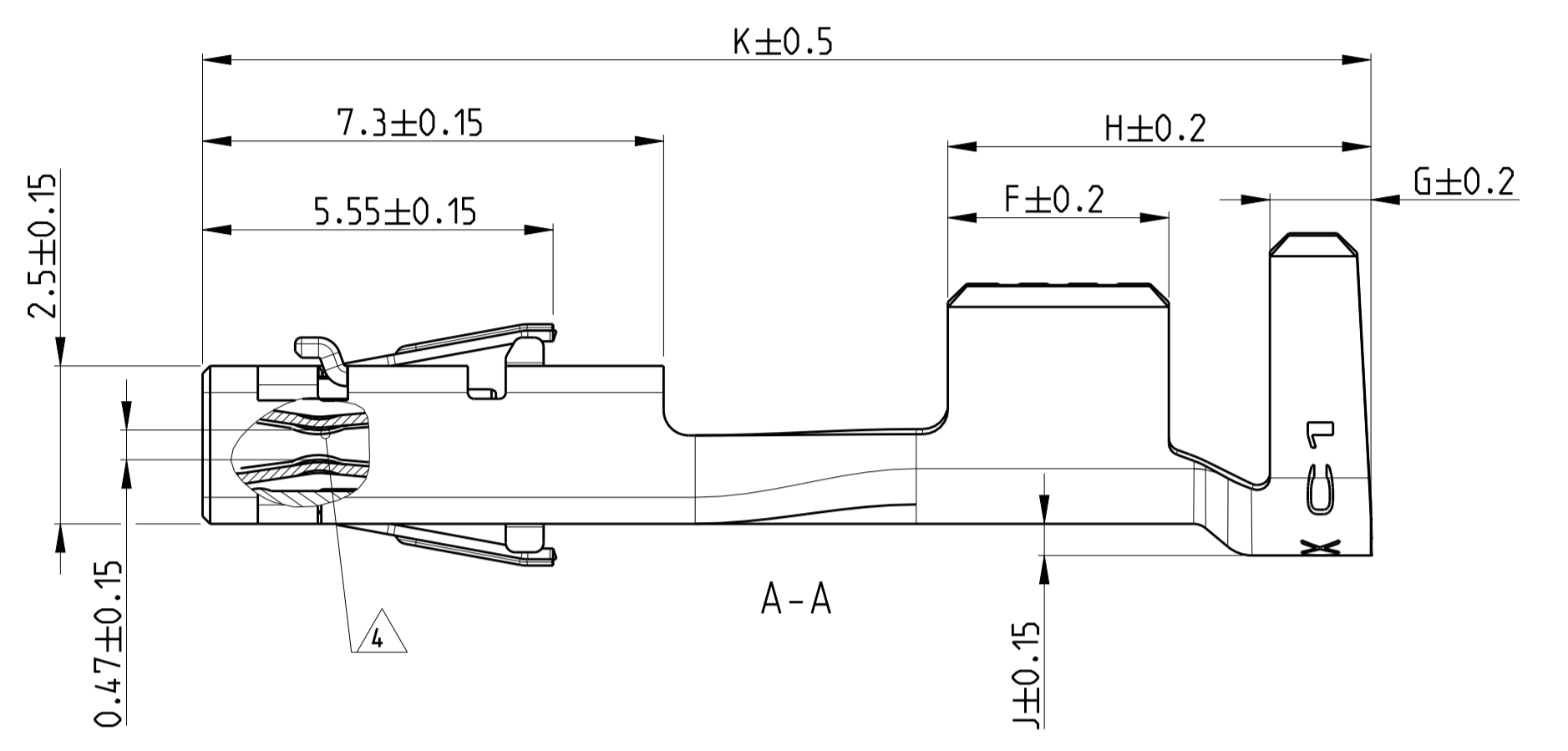
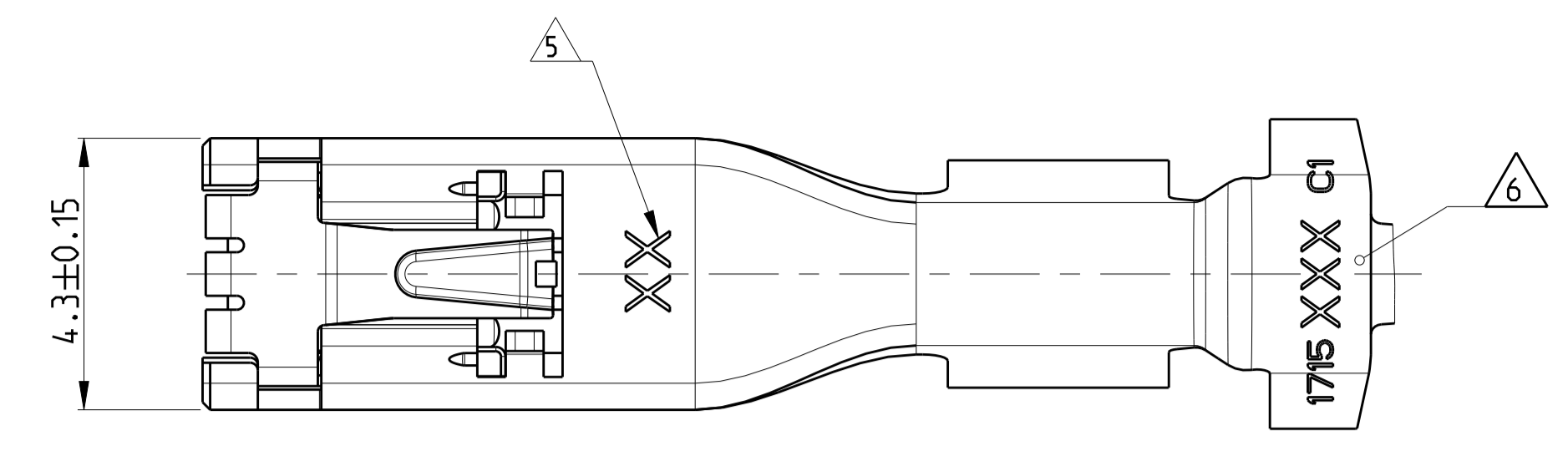


LOC	DIST	REV	DATE	APPV
A1	-	B6	03MAY2011	Kirs. Merz
		B7	11JUN2014	Bren Merz
		B8	21AUG2017	SCK RM
		B9	11SEP2017	GH RM

- 1 BODY Kontaktkoerper
- 2 SPRING Kontaktfeder
- 3 FOR FLR-WIRE SEE DIN 72551, PART 6 Fuer FLR-Leitung nach DIN 72551, Teil 6
- 4 SURFACE
  - a) BODY -PRE TIN 1 TO 3 µm
  - b) SPRING -PRE TIN SnAg 1 TO 3µm -GOLD PLATED MIN. µm (only contact area) -SILVER PLATED 2 TO 4 µm (only contact area)
- 5 STAMPED INDICATOR FOR PLATING:
  - AU GOLD PLATING
  - AG SILVER PLATING
  - TIN PLATING WITHOUT INDICATOR
 Markierung fuer galvanische Ausfuehrung:
  - AU vergoldet
  - AG versilbert
  - verzinkt: ohne Markierung
- 6 TE LOGO REVISION STATUS DATE CODE
- 7 MATING PART SEE INTERFACE DRAWING 114-18230-002 Gegenstecker nach Ausfuehrungsvorschrift



VERSION / Ausfuehrung	TE ORDER-NO. STRIP FORM	Rev.	BODY Kontaktkoerper	SPRING Kontaktfeder	BODY Kontaktkoerper	SPRING Kontaktfeder	WIRE RANGE	WIRE CRIMP Drahtcrimp					ISOLATION CRIMP Isolationscrimp					Øxxx [mm]	BLINDPLUG ORDER NO. Blindstopfen Bestell-Nr.	Crimpausfuehrung CRIMP DESIGN		
								A	B	D <sub>Dr</sub>	C	E	D <sub>ISO</sub>	F	G	H	J				K	
SINGLE WIRE SEAL / Einzeldichtung	1563935-3	A	CuSn0.15	CuNi3Si1Mg	TIN PLATED verzinkt	SILVER PLATED versilbert	0.5	2.3	2.3	1.0	5.5	5.9	3.3	3.0	2.4	7.8	0.8	19.0	828904-1 (Ø5.0)	828 922-1	E	
	-	-	C 14415	C 70250	TIN PLATED verzinkt	GOLD PLATED vergoldet	0.75-1	2.5	2.7	1.2	5.5	5.9	3.3	3.0	2.4	7.8	0.8	19.0	828904-1 (Ø5.0)			
	1670802-3	B	CuSn0.15	CuNi3Si1Mg	TIN PLATED verzinkt	SILVER PLATED versilbert	>1-2.5	3.6	3.8	1.7	5.7	6.1	3.5	3.5	2.4	8.3	0.8	19.0	828905-1 (Ø5.0)			
	STANDARD CRIMP	1670802-1	B	CuSn0.15	CuNi3Si1Mg	TIN PLATED verzinkt	SILVER PLATED versilbert	>2.5-4	4.5	4.7	2.3	6.9	7.0	4.5	4.3	2.6	9.5	1.25	20.0	828985-1 (Ø6.4)	828 986-1	D
		1670804-3	B	CuSn0.15	CuNi3Si1Mg	TIN PLATED verzinkt	GOLD PLATED vergoldet	0.2-0.35	2.1	2.1	0.8	2.9	2.9	1.4	2.5	2.0	5.7	0.25	17.5	-		
		1670804-1	B	CuSn0.15	CuNi3Si1Mg	TIN PLATED verzinkt	SILVER PLATED versilbert	0.5	2.3	2.3	1.0	2.9	2.9	1.4	3.0	2.0	6.2	0.25	17.5	-		
STANDARD CRIMP		1670806-3	B	CuSn0.15	CuNi3Si1Mg	TIN PLATED verzinkt	SILVER PLATED versilbert	0.75-1	2.5	2.7	1.2	3.7	3.9	1.8	3.0	1.6	6.2	0.25	18	-	A	
		1670806-1	B	CuSn0.15	CuNi3Si1Mg	TIN PLATED verzinkt	GOLD PLATED vergoldet	>1-2.5	3.6	3.8	1.7	4.9	5.1	2.6	3.5	1.6	6.7	0.5	18.5	-		
		1719836-3	B	CuSn0.15	CuNi3Si1Mg	TIN PLATED verzinkt	SILVER PLATED versilbert	>2.5-4	4.5	4.7	2.3	5.8	6.0	3.3	4.3	1.9	8.1	0.8	19	-		C
	1719836-1	B	CuSn0.15	CuNi3Si1Mg	TIN PLATED verzinkt	GOLD PLATED vergoldet	A	B	D <sub>Dr</sub>	C	E	D <sub>ISO</sub>	F	G	H	J	K	Øxxx [mm]	BLINDPLUG ORDER NO. Blindstopfen Bestell-Nr.	Crimpausfuehrung CRIMP DESIGN		
	1563719-3	A	CuSn0.15	CuNi3Si1Mg	TIN PLATED verzinkt	SILVER PLATED versilbert	0.5	2.3	2.3	1.0	2.9	2.9	1.4	3.0	2.0	6.2	0.25	17.5	-	B		
	1563719-1	A	CuSn0.15	CuNi3Si1Mg	TIN PLATED verzinkt	GOLD PLATED vergoldet	0.75-1	2.5	2.7	1.2	3.7	3.9	1.8	3.0	1.6	6.2	0.25	18	-	A		
1719838-3	C	CuSn0.15	CuNi3Si1Mg	TIN PLATED verzinkt	SILVER PLATED versilbert	>1-2.5	3.6	3.8	1.7	4.9	5.1	2.6	3.5	1.6	6.7	0.5	18.5	-	C			
1719838-1	C	CuSn0.15	CuNi3Si1Mg	TIN PLATED verzinkt	GOLD PLATED vergoldet	>2.5-4	4.5	4.7	2.3	5.8	6.0	3.3	4.3	1.9	8.1	0.8	19	-	C			
1719840-3	C	CuSn0.15	CuNi3Si1Mg	TIN PLATED verzinkt	SILVER PLATED versilbert	0.5	2.3	2.3	1.0	2.9	2.9	1.4	3.0	2.0	6.2	0.25	17.5	-	B			
1719840-1	C	CuSn0.15	CuNi3Si1Mg	TIN PLATED verzinkt	GOLD PLATED vergoldet	0.75-1	2.5	2.7	1.2	3.7	3.9	1.8	3.0	1.6	6.2	0.25	18	-	A			
1718475-3	E	CuSn0.15	CuNi3Si1Mg	TIN PLATED verzinkt	SILVER PLATED versilbert	>1-2.5	3.6	3.8	1.7	4.9	5.1	2.6	3.5	1.6	6.7	0.5	18.5	-	C			
1718475-1	E	CuSn0.15	CuNi3Si1Mg	TIN PLATED verzinkt	GOLD PLATED vergoldet	>2.5-4	4.5	4.7	2.3	5.8	6.0	3.3	4.3	1.9	8.1	0.8	19	-	C			



STANDARD CRIMP

CRIMP FOR SINGLE WIRE SEAL Crimp fuer Einzeldichtung

5:1

5:1

THIS DRAWING IS A CONTROLLED DOCUMENT. DWG No. 15FEB2006

DIMENSIONS: mm

TOLERANCES UNLESS OTHERWISE SPECIFIED:

MATERIAL: see table siehe Tabelle

FINISH: see table siehe Tabelle

WEIGHT: 0.58 g

Customer Drawing

SCALE: 10:1 SHEET 1 OF 1

TE Connectivity

MCON 2.8

PRODUCT GROUP DRAWING RECEPTACLE

Produktgruppenzeichnung Kontaktbuchse

SIZE: 114-18718

DRAWING NO: 00779

RESTRICTED TO

## X-ON Electronics

Largest Supplier of Electrical and Electronic Components

*Click to view similar products for [Automotive Connectors](#) category:*

*Click to view products by [TE Connectivity](#) manufacturer:*

Other Similar products are found below :

[003-018-000](#) [60993906-B](#) [72.330.1035.1](#) [776880-1](#) [827153-1](#) [9-1326729-8](#) [9-221607-5](#) [925474-1](#) [928905-1](#) [964562-4](#) [968782-1](#) [98891-1012](#) [12004468](#) [12004475-L](#) [12004483](#) [12052466](#) [12066163](#) [12015909](#) [12077753](#) [1-21030-1](#) [12047957](#) [12047958](#) [12084688](#) [12185550](#) [12336-12](#) [1-326211-1](#) [13681974](#) [13688972](#) [13755420](#) [13779834](#) [13783086](#) [13843152](#) [13522378](#) [13581967](#) [13669624](#) [13675513](#) [13753471](#) [13946876](#) [13953457](#) [13955963](#) [13964573](#) [13971791](#) [13790534-L](#) [13797473](#) [13805590](#) [13888202](#) [1428188-1](#) [1437287-3](#) [1428188-2](#) [DS07-19S-5020](#)