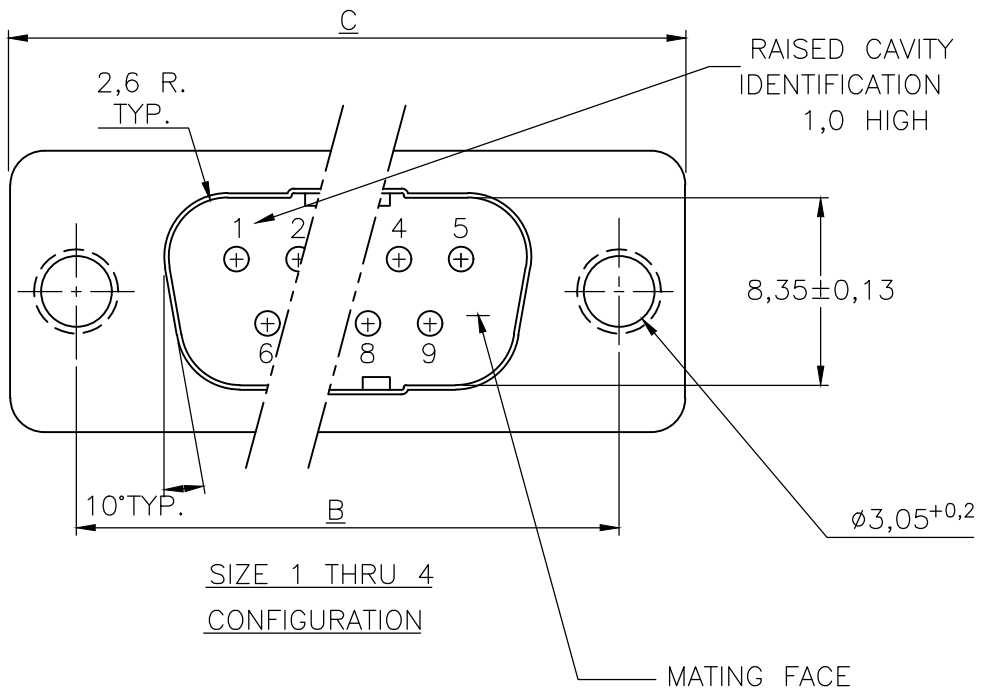


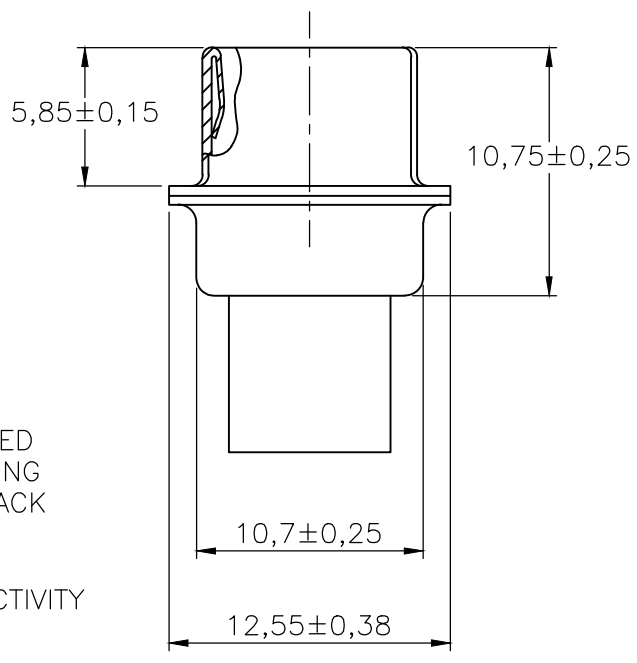
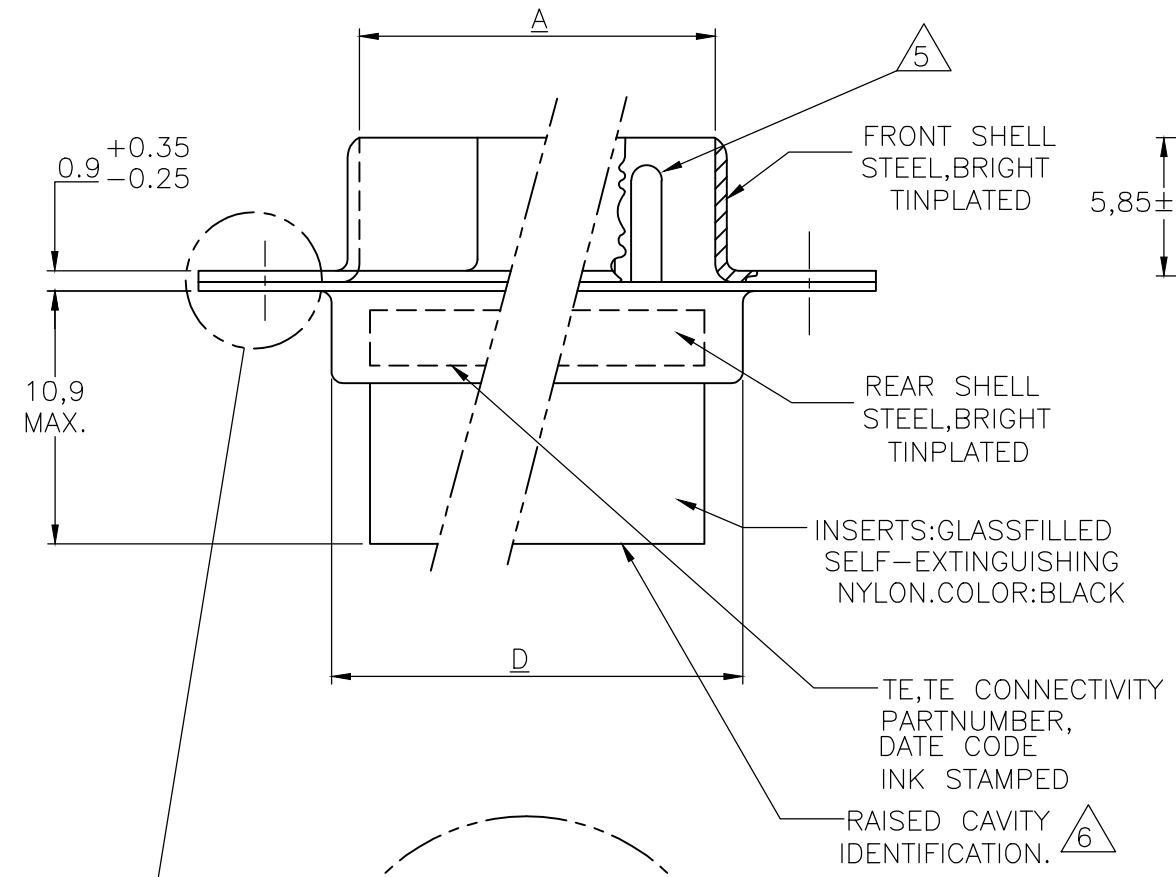
THIS DRAWING IS UNPUBLISHED. RELEASED FOR PUBLICATION  
 © COPYRIGHT - By - ALL RIGHTS RESERVED.

LOC	DIST	REVISIONS				
P	LTR	DESCRIPTION	DATE	DWN	APVD	
H	-	R	REVISED PER ECO-18-001571	08FEB2018	AP	DG



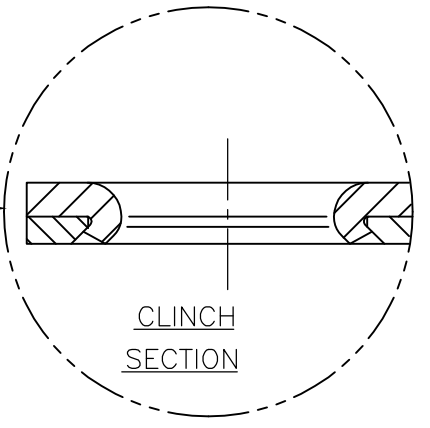
NOTES:

- THIS PLUG ACCEPTS SIZE 20 PIN CONTACTS.
  - MAXIMUM WIRE INSULATION RECOMMENDED FOR USE WITH THIS PLUG IS 1,73 DIA. MAX..
  - RETENTION TINES ARE AN INTEGRAL PART OF INSERT.
  - FOLLOWING INSERTION/REMOVAL TOOLS ARE RECOMMENDED FOR USE WITH THESE CONNECTORS:  
 32-28AWG/28-24AWG CONT's  
 91067-3 INSERTION/REMOVAL  
 726363-1 INSERTION ONLY  
 24-20AWG CONTACTS  
 91067-2 INSERTION/REMOVAL  
 726363-1 INSERTION ONLY  
 726364-1 REMOVAL ONLY
- △5 CONTACTS SHOWN FOR ILLUSTRATION ONLY, NO PART OF CONNECTOR PACKAGE ;MUST BE ORDERED SEPARATELY.  
 △6 RAISED CAVITY IDENTIFICATION NUMBERS ON WIRE SIDE ARE WHITENED FOR -9 P/N'S.



D	C	B	A	NR.OF POS	SIZE	ORDER NUMBER
55,3	66,9	61,1	52,9	50	5	<del>167296-9</del> 167296-1
57,7	69,3	63,5	55,4	37	4	<del>167295-9</del> 167295-1 OBSOLETE
41,3	53,0	47,0	39,0	25	3	<del>167294-9</del> 167294-1
27,5	39,1	33,3	25,3	15	2	<del>167293-9</del> 167293-1
19,3	30,8	25,0	16,9	9	1	<del>167292-9</del> 167292-1

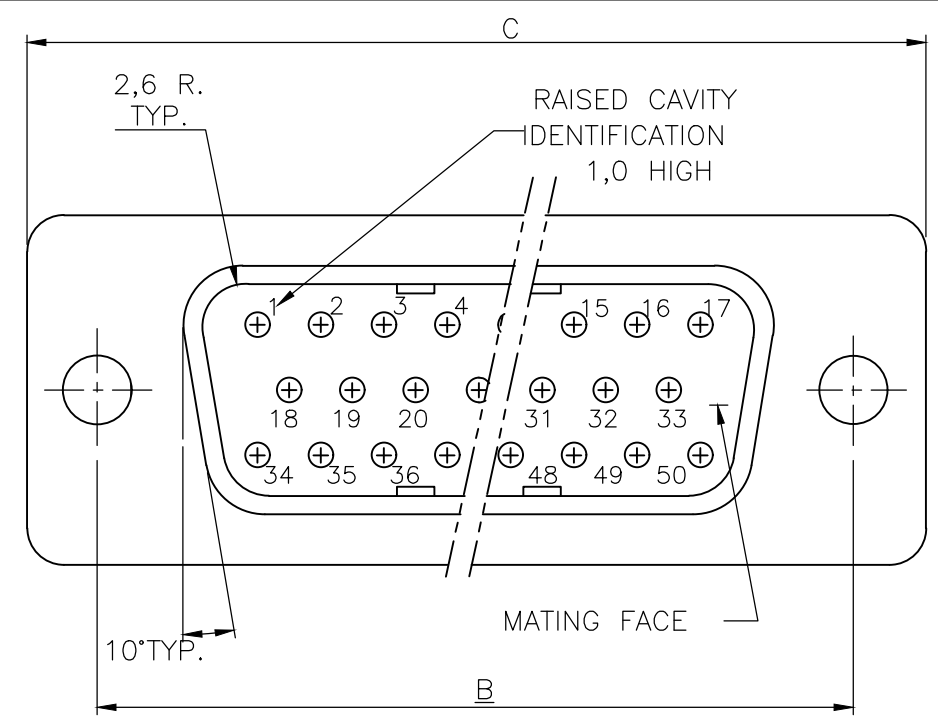
FOR DETAILS SIZE 5, SEE SHEET 2.



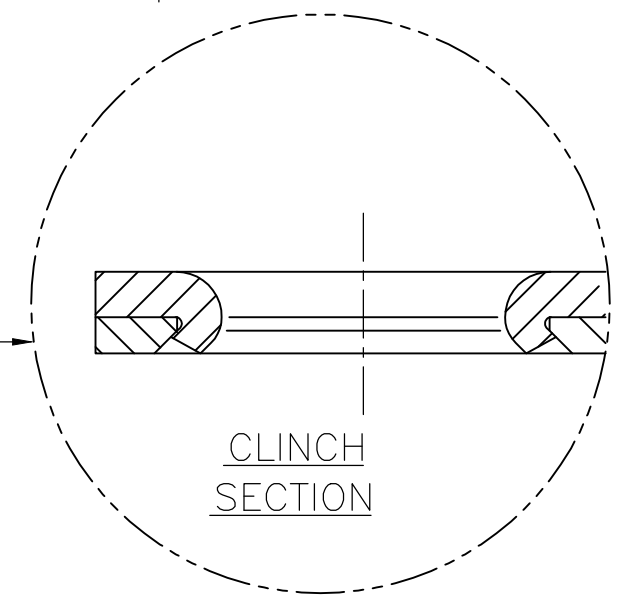
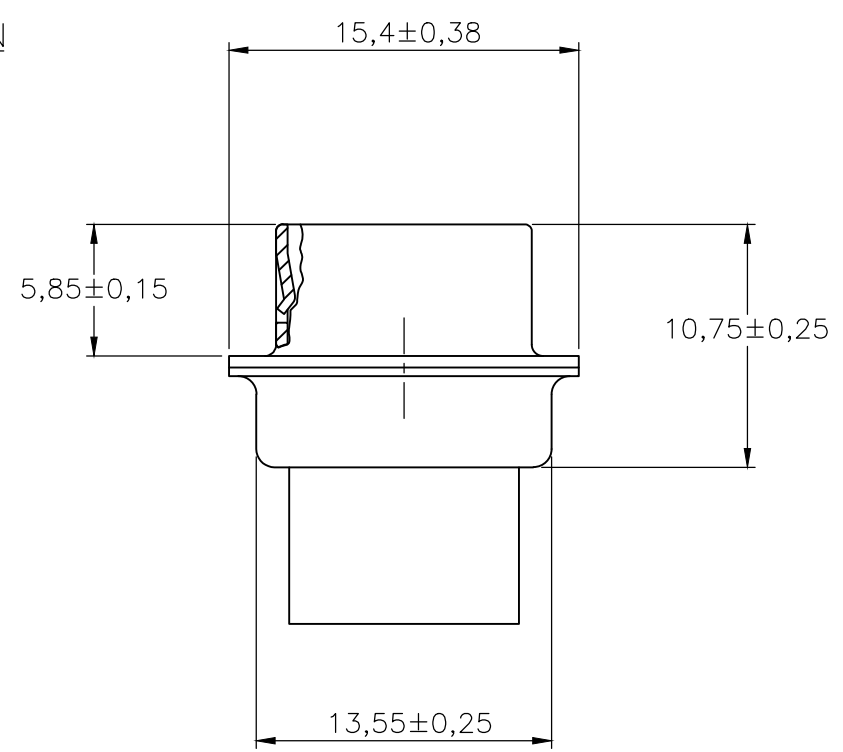
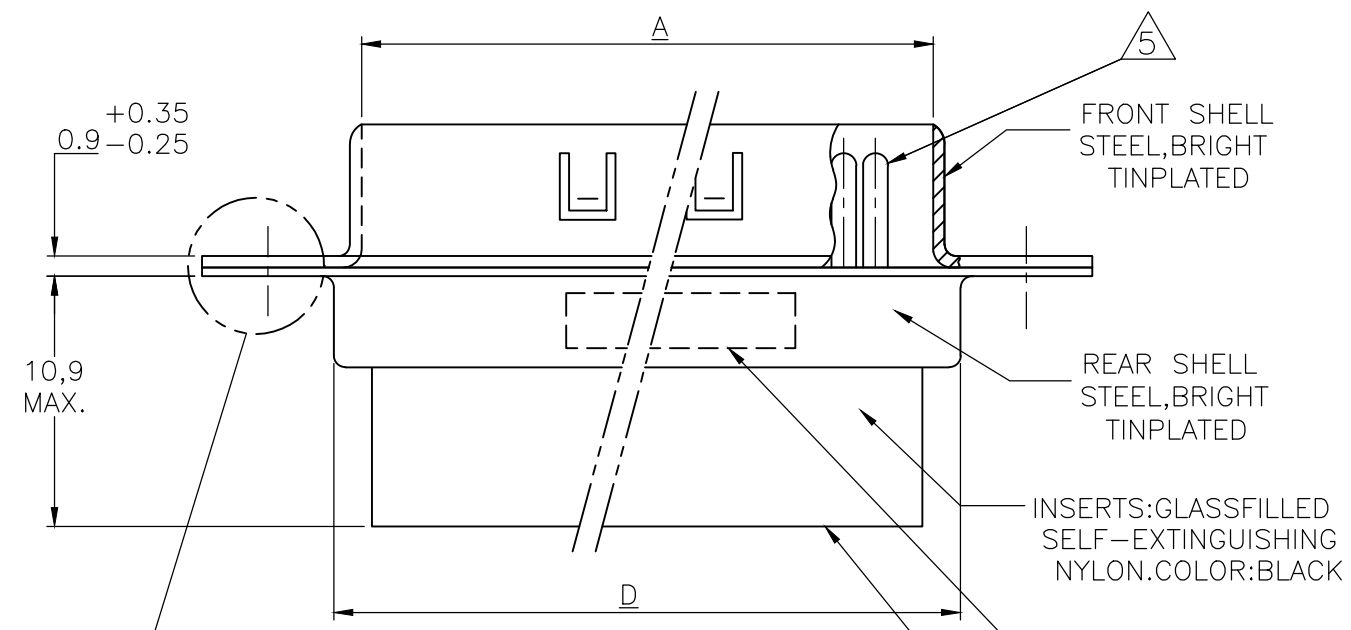
THIS DRAWING IS A CONTROLLED DOCUMENT.		DWN B.MOOIJ 20NOV87	TE Connectivity HDP-20 PLUG CONNECTOR, SIZE 1-4	
DIMENSIONS: mm		CHK -		
TOLERANCES UNLESS OTHERWISE SPECIFIED:		APVD -	NAME PRODUCT SPEC APPLICATION SPEC	
0 PLC ± -		PRODUCT SPEC -		
1 PLC ± 0,2		APVD -	SIZE CAGE CODE DRAWING NO RESTRICTED TO A3 00779 C-167292 -	
2 PLC ± -		PRODUCT SPEC -		
3 PLC ± -		APVD -	SCALE NTS SHEET 1 OF 2 REV R	
4 PLC ± -		PRODUCT SPEC -		
ANGLES ± 2°		APVD -		
MATERIAL -		WEIGHT -		
FINISH -		WEIGHT -		

THIS DRAWING IS UNPUBLISHED. RELEASED FOR PUBLICATION  
 © COPYRIGHT - By - ALL RIGHTS RESERVED.

LOC	DIST	REVISIONS			
P	LTR	DESCRIPTION	DATE	DWN	APVD
H	-	SEE SHEET 1	-	-	-



SIZE 5  
CONFIGURATION



TE,TE CONNECTIVITY PARTNUMBER, DATE CODE INK STAMPED  
 RAISED CAVITY IDENTIFICATION.  $\triangle$  6

THIS DRAWING IS A CONTROLLED DOCUMENT.		DWN B.MOOIJ 20NOV87	TE Connectivity			
DIMENSIONS: mm		CHK -				NAME
TOLERANCES UNLESS OTHERWISE SPECIFIED:		APVD -	HDP-20 PLUG CONNECTOR, SIZE 5			
0 PLC	± -	PRODUCT SPEC -	SIZE	CAGE CODE	DRAWING NO	RESTRICTED TO
1 PLC	± 0,2	APPLICATION SPEC -	A3	00779	C-167292	-
2 PLC	± -	WEIGHT -	CUSTOMER DRAWING			SCALE NTS
3 PLC	± -					SHEET 2 OF 2
4 PLC	± -					REV R
ANGLES	± 2°					
MATERIAL -	FINISH -					

## X-ON Electronics

Largest Supplier of Electrical and Electronic Components

*Click to view similar products for [D-Sub Standard Connectors](#) category:*

*Click to view products by [TE Connectivity](#) manufacturer:*

Other Similar products are found below :

[56F711-015](#) [012-9507-004](#) [LV242999-142T12](#) [015-0341-000](#) [015-0372-005](#) [015-0372-008](#) [015-8755-001](#) [020419-0104](#) [012-0467-000](#) [012-0515-000](#) [012-9507-034](#) [012-9507-114](#) [020745-0008](#) [609-25P](#) [M24308/2-23Z](#) [CT2-14S-2PCA34](#) [CT2-18-11PCAU](#) [CT2-36-15SC](#) [CT6-14S-2SC](#) [CT6E14SA7SC](#) [CT6E22-14PC](#) [CT6E22-14PS](#) [CT6E22-22PS](#) [M83513/01-FC](#) [M85049/48-3-2F](#) [6STD09PCM99B70X](#) [6STD09SCM99B30X](#) [6STD09SCT99S40X](#) [6STD15PCT99S40X](#) [6STD15SCM99B30X](#) [6STD15SCT99S40X](#) [6STF09PCM05B70X](#) [7-135760-9](#) [MC11E-10-6SN](#) [747552-3](#) [MD1-21PS](#) [MDM-15SCBRM7-F222](#) [MDM96517-699](#) [MDM96521-744](#) [MDVB1-21SL1](#) [MIK0-1-7SH003](#) [MIKQ6-7SH076](#) [MIKQ7-7PH077](#) [MIKQ7-7PH11](#) [MIKQ7-7PH32](#) [MJSV-28SL61](#) [MKJ4A1F14-55S](#) [8-135760-3](#) [8STD09PCM99B30X](#) [PG-KV/PV-16-GROM-SEALING](#)