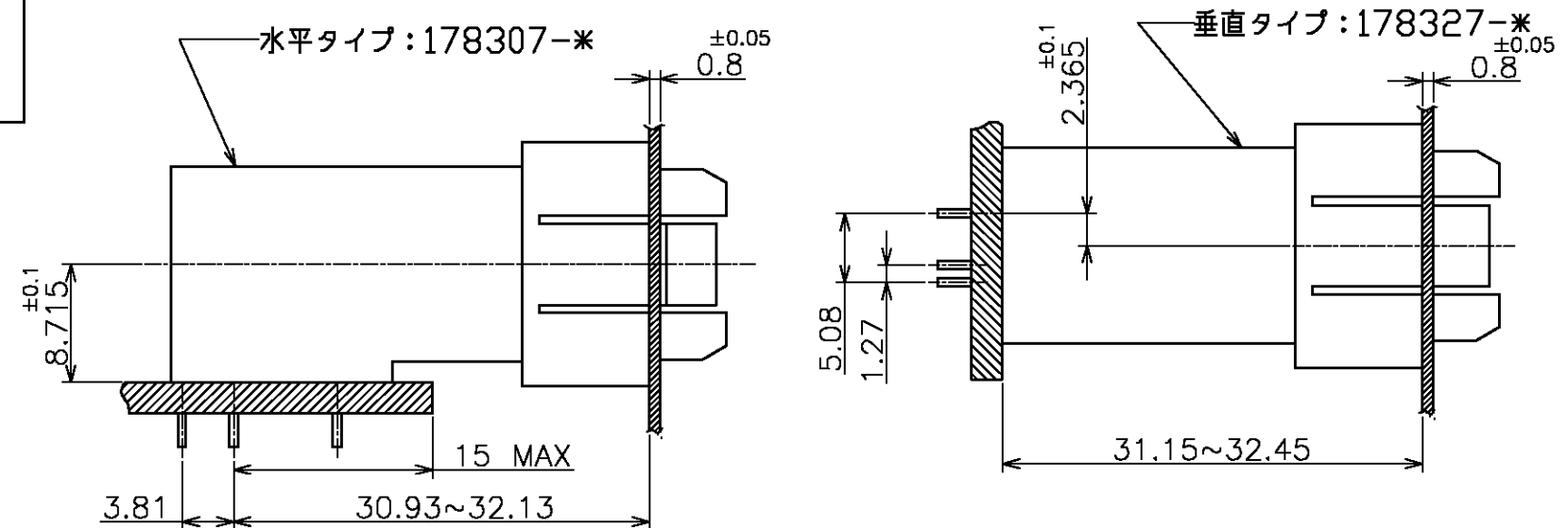
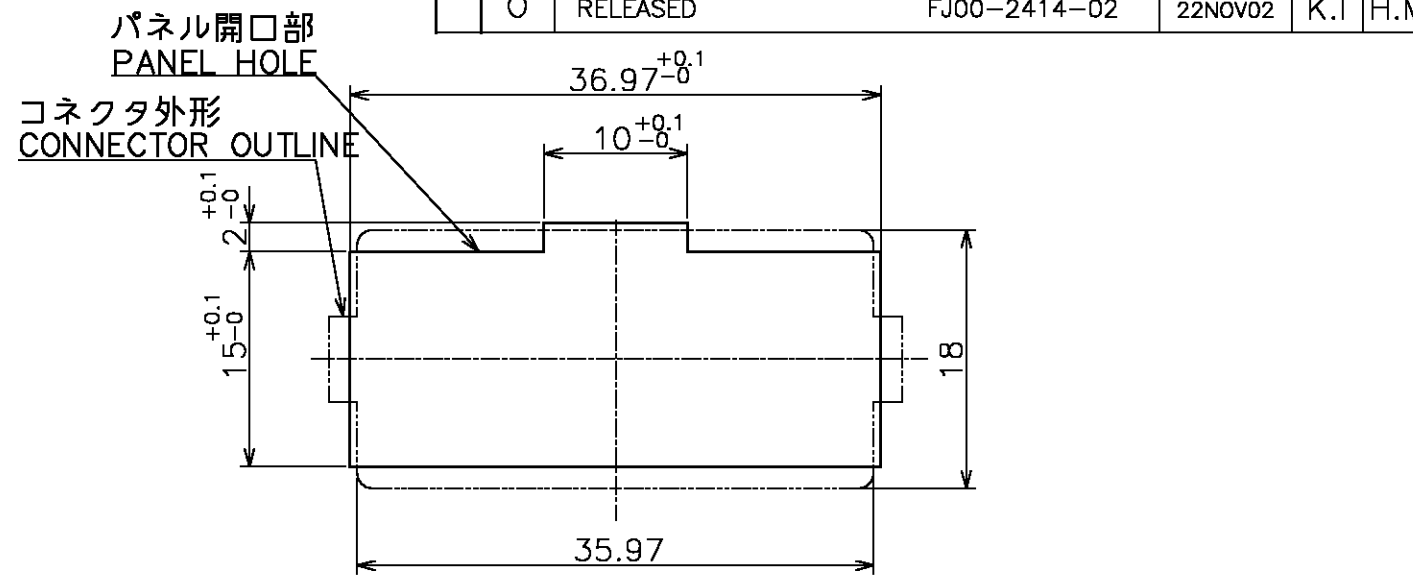
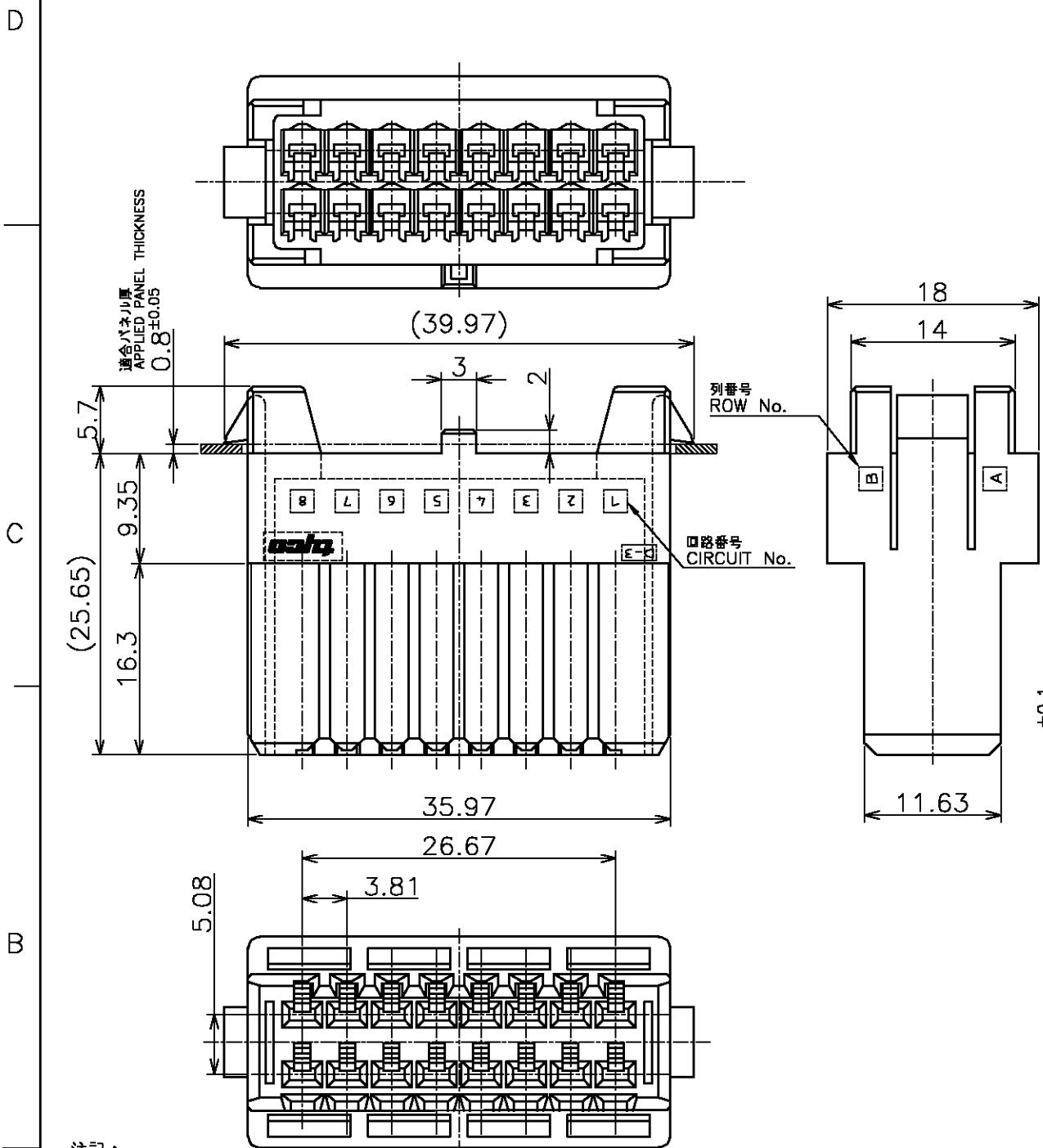


| LOC | DIST | REVISIONS | | | | | |
|-----|------|-----------|-----|-------------|--------------|---------|---------|
| J | | P | LTR | DESCRIPTION | DATE | DWN | APVD |
| | | | 0 | RELEASED | FJ00-2414-02 | 22NOV02 | K.I H.M |



パネル加工推奨寸法図 & 取付け推奨寸法
 RECOMMENDED PANEL LAYOUT & CONNECTOR LAYOUT

注記:
 1. 材料: ガラス入り熱可塑性樹脂 色; 黒色
 2. フローティング: ±0.5 (但し軸ズレ量を含む)
 3. コネクタはパネル打抜き側から挿入すること。

NOTES:
 1. MATERIAL: G.F. THERMO PLASTIC COLOR; BLACK
 2. FLOATING: ±0.5 (INCLUDE THE AMOUNT OF AXIAL GAP)
 3. THE CONNECTOR SHOULD BE ENTERED IN THE PUNCHED DIRECTION OF THE PANEL.

| | | | | | | | | | | |
|--|-------|---|----------------------------|---------------------------|-------|--|-------|----------|------------|-----------|
| 411-78066 | 24~28 | 175194-* | 20~24 | 175195-* | 16~20 | 175196-* | 14~16 | 917484-* | 16 | 1674157-7 |
| 取説 INSTRUCTION SHEET | AWG | P/N | AWG | P/N | AWG | P/N | AWG | P/N | 極数 Pos. | 型番 P/N |
| THIS DRAWING IS A CONTROLLED DOCUMENT. | | | 適用コンタクト APPLIED CONTACT | | | Tyco Electronics AMP K.K. Kawasaki, Japan | | | | |
| DIMENSIONS: 単位: 概 MM | | TOLERANCES UNLESS OTHERWISE SPECIFIED: 一般公差 | | DWN K.IINO 21NOV02 | | NAME S.MANABE 22NOV02 | | | | |
| 0 PLC ± 0.3 1 PLC ± 0.3 2 PLC ± 0.3 3 PLC ± 0.3 4 PLC ± 0.3 ANGLES ± 3° | | | | CHK T.KUSUHARA 21NOV02 | | PRODUCT SPEC 製品規格 108-5863 | | | | |
| MATERIAL 材料 | | FINISH 仕上 | | AFVD S.MANABE 22NOV02 | | APPLICATION SPEC 取付適用規格 | | | | |
| △ | | △ | | WEIGHT 10g | | SIZE A3 | | | | |
| | | | | CUSTOMER DRAWING | | CAGE CODE 00779 | | | | |
| | | | | | | DRAWING NO 1674157 | | | | |
| | | | | | | RESTRICTED TO | | | | |
| | | | | | | SCALE 尺度 2:1 | | | | |
| | | | | | | SHEET 1 OF 1 | | | | |
| | | | | | | REV 0 | | | | |

X-ON Electronics

Largest Supplier of Electrical and Electronic Components

Click to view similar products for [Headers & Wire Housings](#) category:

Click to view products by [TE Connectivity](#) manufacturer:

Other Similar products are found below :

[892-18-020-10-001101](#) [58102-G61-06LF](#) [582553-1](#) [0009485154](#) [009176003701906](#) [0050291907](#) [LY20-4P-DT1-P1E-BR](#) [02.125.8002.8](#)
[609-3404](#) [61062-3](#) [61082-181009](#) [622-3653LF](#) [63453-116](#) [636-1030](#) [636-1427](#) [636-3427](#) [636-4007](#) [641938-9](#) [641991-4](#) [644827-2](#) [65817-010LF](#) [65817-015LF](#) [65863-015LF](#) [66207-023LF](#) [67095-007LF](#) [67601157](#) [68645-018](#) [68648-049](#) [70.362.1628.0](#) [70-4210](#) [70-4226B](#) [70-4853B](#) [707-5020](#) [707-5028](#) [71.350.2428.0](#) [71918-208LF](#) [71961-016LF](#) [733-134](#) [733-162](#) [754199-000](#) [760-3052](#) [787-8014-00](#) [79531-3000](#)
[FCN-360C032-B](#) [FCN-367T-T012/H](#) [FCN-723D010/2](#) [80.063.4001.1](#) [800-90-001-10-001000](#) [800-90-010-10-002000](#) [801-43-002-10-013000](#)