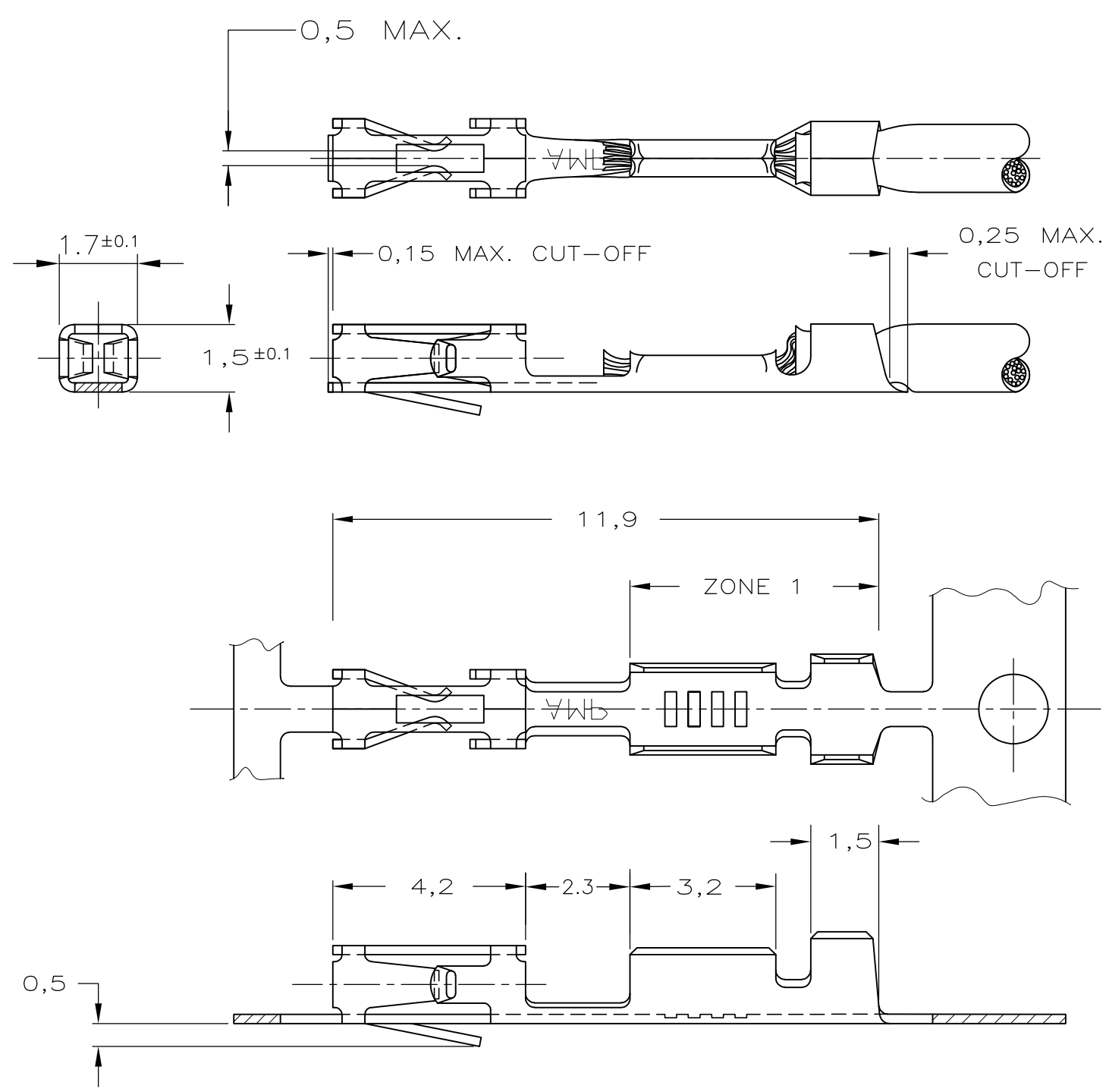


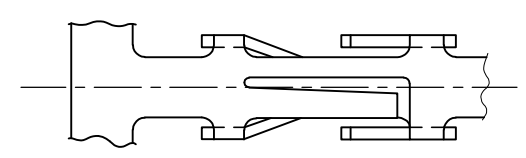
THIS DRAWING IS UNPUBLISHED. RELEASED FOR PUBLICATION  
 © COPYRIGHT - By - ALL RIGHTS RESERVED.

LOC	DIST	REVISIONS					
		P	LTR	DESCRIPTION	DATE	DWN	APVD
-	-		G2	TOLERANCE CORRECTION	23JUL2013	KJK	RP



NOTES:

- 1 FOR MINI-APPLICATOR CRIMPING.
- 2 UNDERCOATING: 1,25µm Ni, SELECTIVE: 0,8µm Au, ZONE 1: 0,5µm MIN. GOLD FLASH.
- 3 UNDERCOATING: 1,25µm Ni, SELECTIVE: 0,8µm Au, REMAINDER: GOLD FLASH.
- 4 ZONE 1: BRIGHT TIN/LEAD PLATED.
- 5 PRE-TIN PLATED 2,0µm.
- 6 MATERIAL: PHOSPHOR BRONZE
- 7 OBSOLETE



WIRE RANGE :  
 0,20-0,58 mm<sup>2</sup> 24-20 AWG  
 INSULATION RANGE :  
 1,6 MAX. DIA.

THIS DRAWING IS A CONTROLLED DOCUMENT.	
DIMENSIONS: mm	TOLERANCES UNLESS OTHERWISE SPECIFIED: ±0.15
	0 PLC ± - 1 PLC ± - 2 PLC ± - 3 PLC ± - 4 PLC ± - ANGLES ± -
MATERIAL	FINISH
-	-

GOLD	3	167419-4	167418-4
GOLD	2	167419-2	<del>167418-2</del> 7
TIN	5	167419-1	167418-1
FINISH		LOOSE PIECE	PART NUMBER

DWN J.v.LIEMPT 03 DEC 98		<b>STE</b> TE Connectivity	
CHK J.v.LIEMPT	-		
APVD E.LEIJTENS	-	NAME	
PRODUCT SPEC	-	AMPMODU MOD.4 RECEPTACLE, S.C.P. STRIP	
APPLICATION SPEC	-	SIZE	RESTRICTED TO
WEIGHT	-	A3 00779	-
CUSTOMER DRAWING		DRAWING NO	SCALE
		C-167418	8:1
		SHEET	REV
		1 OF 1	G2

## X-ON Electronics

Largest Supplier of Electrical and Electronic Components

*Click to view similar products for [Headers & Wire Housings](#) category:*

*Click to view products by [TE Connectivity](#) manufacturer:*

Other Similar products are found below :

[892-18-020-10-001101](#) [58102-G61-06LF](#) [582553-1](#) [0009485154](#) [009176003701906](#) [0050291907](#) [LY20-4P-DT1-P1E-BR](#) [02.125.8002.8](#)  
[609-3404](#) [61062-3](#) [61082-181009](#) [622-3653LF](#) [63453-116](#) [636-1030](#) [636-1427](#) [636-3427](#) [636-4007](#) [641938-9](#) [641991-4](#) [644827-2](#) [65817-010LF](#) [65817-015LF](#) [65863-015LF](#) [66207-023LF](#) [67095-007LF](#) [67601157](#) [68645-018](#) [68648-049](#) [70.362.1628.0](#) [70-4210](#) [70-4226B](#) [70-4853B](#) [707-5020](#) [707-5028](#) [71.350.2428.0](#) [71918-208LF](#) [71961-016LF](#) [733-134](#) [733-162](#) [754199-000](#) [760-3052](#) [787-8014-00](#) [79531-3000](#)  
[FCN-360C032-B](#) [FCN-367T-T012/H](#) [FCN-723D010/2](#) [80.063.4001.1](#) [800-90-001-10-001000](#) [800-90-010-10-002000](#) [801-43-002-10-013000](#)