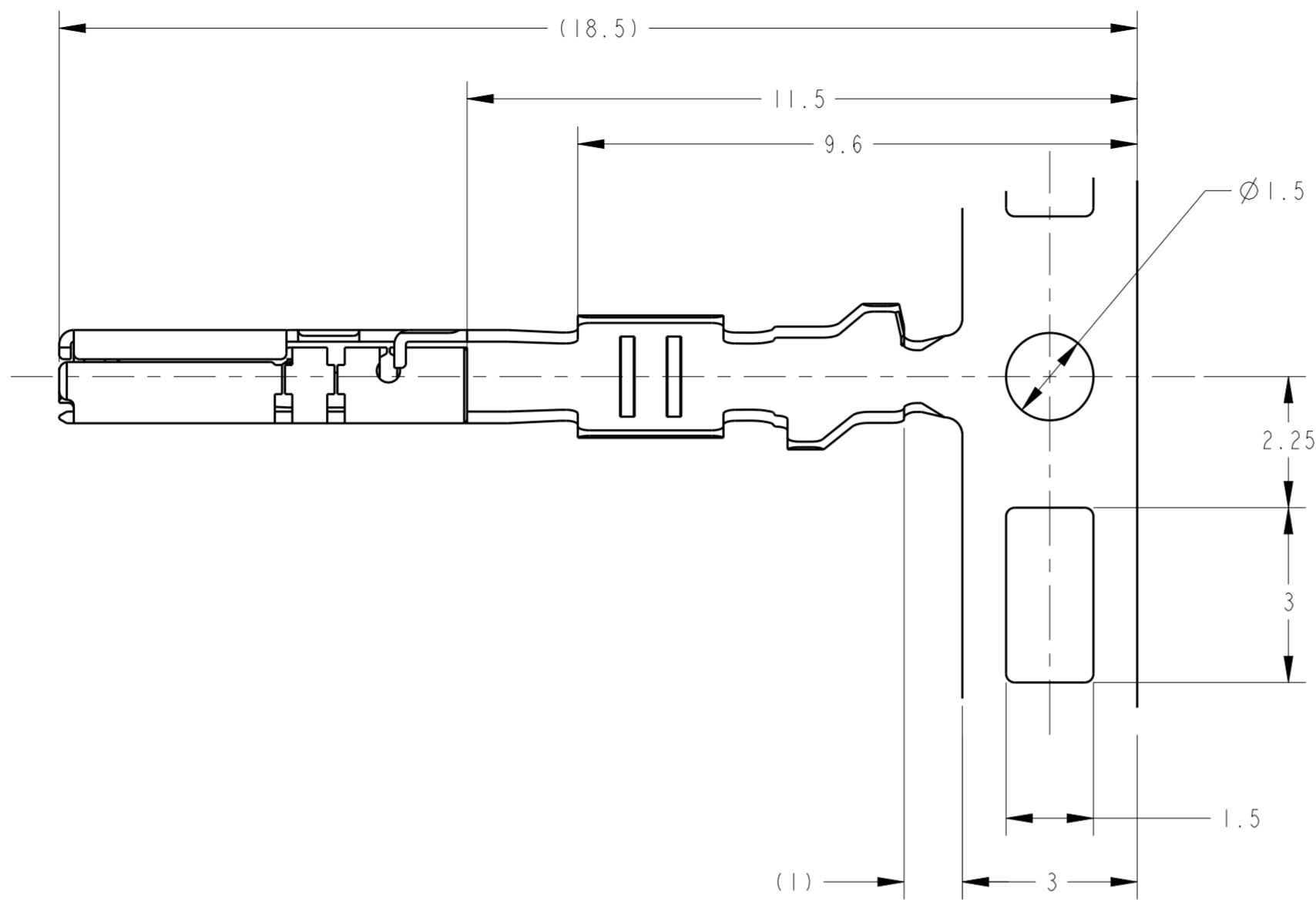
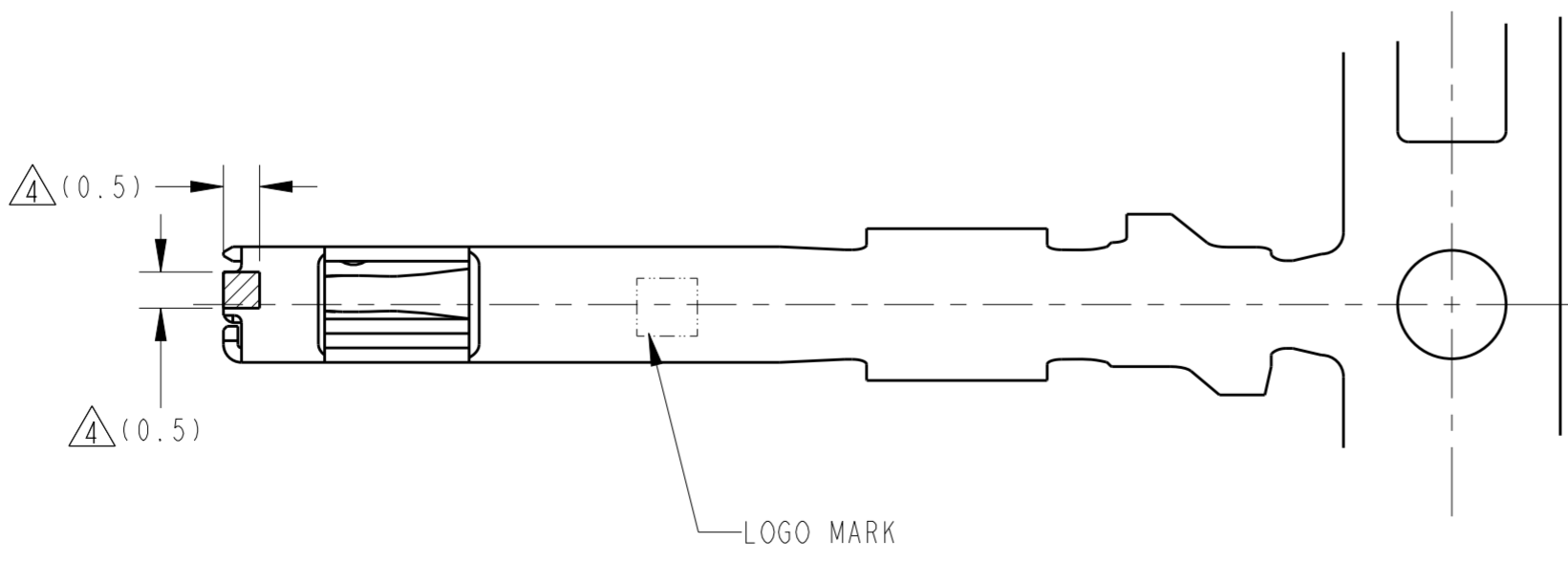
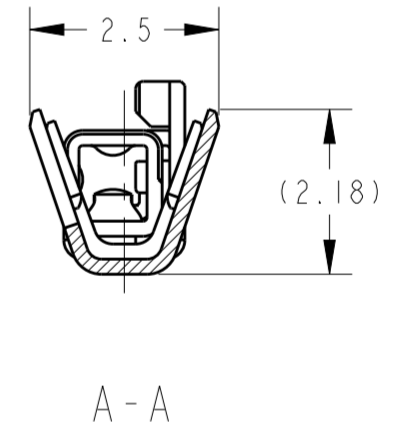
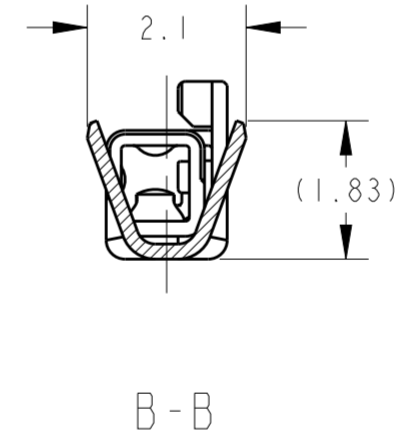
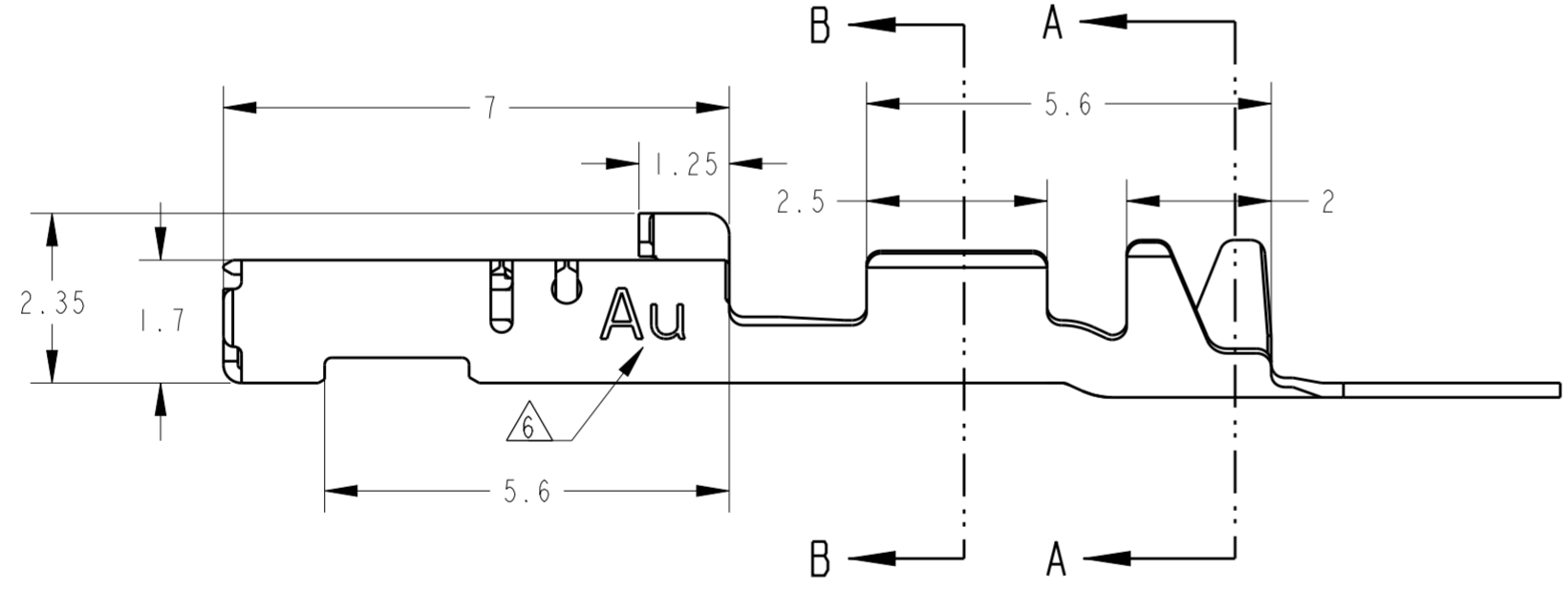
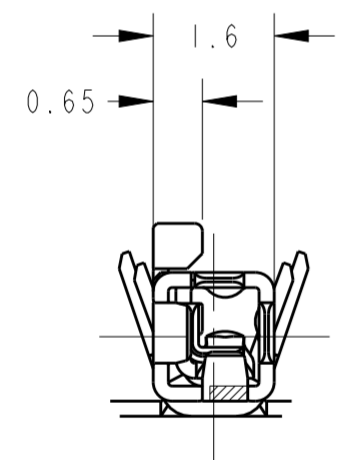


THIS DRAWING IS UNPUBLISHED. RELEASED FOR PUBLICATION 20
 © COPYRIGHT 2016 Tyco Electronics Japan G.K. ALL RIGHTS RESERVED.

LOC	DIST	REVISIONS					
J		P	LTR	DESCRIPTION	DATE	DWN	APVD
		A1		REVISED PER ECO-11-005140	02APR2011	RK	HMR
		B		REVISED ECR-15-012614	03ESP2015	KK	RK
		B1		REVISED ECR-15-016492	13NOV2015	KK	RK
		B2		REVISED ECR-16-012532	01NOV2016	RU	HY



1. 適用電線:
 AVSS, AVSSH-f 0.3~0.5mm²
 CAVS, CAVUS 0.3~0.5mm²
2. 圧着作業については、以下の規格を参照すること
 取付適用規格; 114-5329
3. アプリケータ送りピッチ; 8mm
- △ 寸法は識別用金めつき範囲を表す
 △ 接触部: 金めつき、バルド部: すずめつき
 △ 識別用刻印
1. APPLICABLE WIRE RANGE ;
 AVSS, AVSSH-f 0.3~0.5mm²
 CAVS, CAVUS 0.3~0.5mm²
2. MUST BE REFERRED TO THE FOLLOWING DOCUMENTS FOR CRIMPING OPERATION
 APPLICATION SPEC ; 114-5329
3. APPLICATOR FEED; 8mm
- △. GOLD PLATED AREA FOR DISCRIMINATION
 △. CONTACT POINT; GOLD PLATING
 BARREL; TIN PLATING
 △. MARKING FOR IDENTIFICATION



△4△5△6	SELECTIVE GOLD, TIN	1674311-2
	PRE-TIN	1674311-1
	FINISH	PART NO.

THIS DRAWING IS A CONTROLLED DOCUMENT.

DIMENSIONS: 単位: 概 mm	TOLERANCES UNLESS OTHERWISE SPECIFIED: 一般公差 ±0.3 0-PLC ±0.5 1-PLC ±0.5 2-PLC ±0.13 3-PLC ±0.013 4-PLC ±0.0001 ANGLES ±3°00'	DWN S. AMEMIYA 200CT2003 CHK H. YAMAGAMI 200CT2003 APVD K. ASAI 200CT2003	NAME 名称 0.64111 SERIES CONNECTOR RECEPTACLE CONTACT
MATERIAL 材料 Cu Alloy	FINISH 仕上 SEE TABLE	PRODUCT SPEC 114-5329	SIZE A2 CAGE CODE 00779 DRAWING NO. 1674311 RESTRICTED TO
CUSTOMER DRAWING		WEIGHT 0.16 g	SCALE 10.1 SHEET 1 OF 1 REV B2

STE TE Connectivity

X-ON Electronics

Largest Supplier of Electrical and Electronic Components

Click to view similar products for [Automotive Connectors](#) category:

Click to view products by [TE Connectivity](#) manufacturer:

Other Similar products are found below :

[003-018-000](#) [60403001](#) [60993906-B](#) [M902-2131](#) [M902-2161](#) [72.330.1035.1](#) [73.353.4028.0](#) [F119300-B](#) [F166900](#) [F258300-B](#) [F358300-B](#)
[F407400](#) [F444110](#) [F487000](#) [F509500B-B](#) [827153-1](#) [8N1515-32-24P](#) [9-1326729-8](#) [925474-1](#) [928905-1](#) [964562-4](#) [968782-1](#) [GT17SA-8DS-](#)
[HU](#) [98891-1012](#) [98947-1016](#) [12004147](#) [12004475-L](#) [12010290](#) [12010309-B](#) [12015454](#) [12020219-B](#) [12020308](#) [12041318-B](#) [12052225-L](#)
[12052466](#) [12059125](#) [12064869](#) [12004327-B](#) [12010503-B](#) [12015308](#) [12015384](#) [12015909](#) [1-21030-1](#) [12041254](#) [12041318](#) [12047946-B](#)
[12047957](#) [12047957-L](#) [12059473](#) [12066261](#)