

THIS DRAWING IS UNPUBLISHED. RELEASED FOR PUBLICATION
 © COPYRIGHT 2004 By - ALL RIGHTS RESERVED.

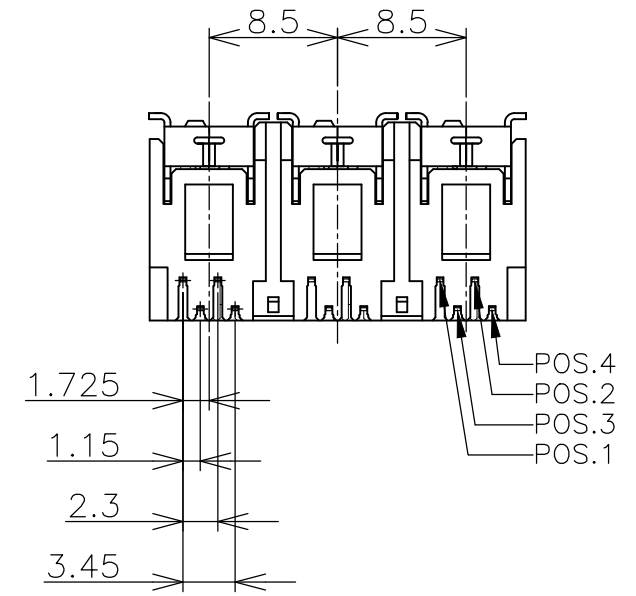
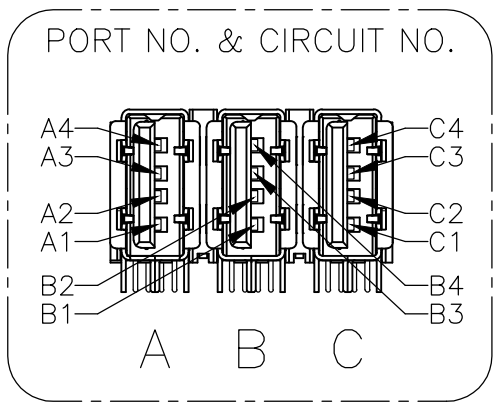
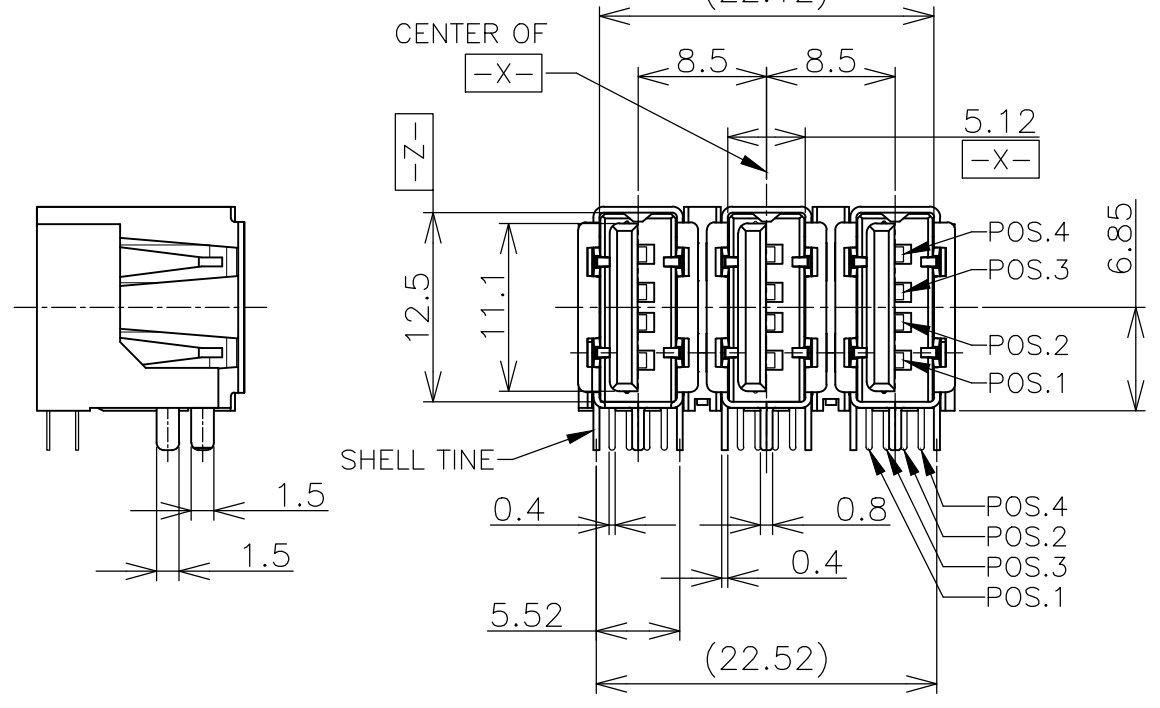
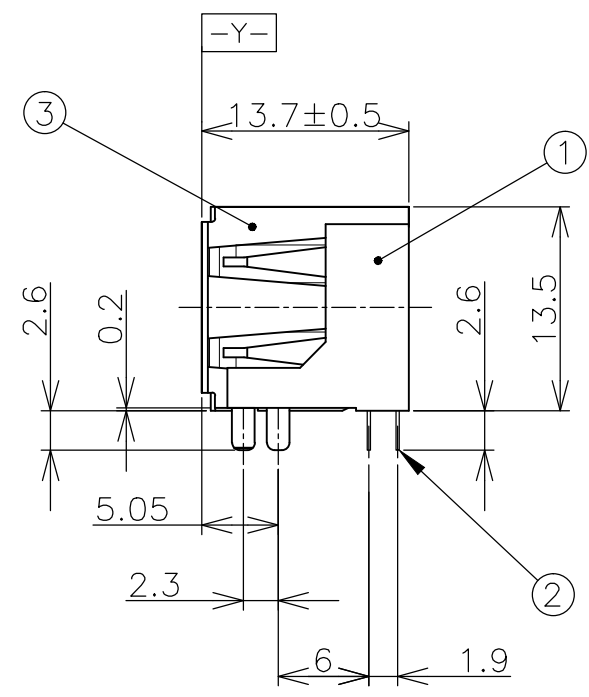
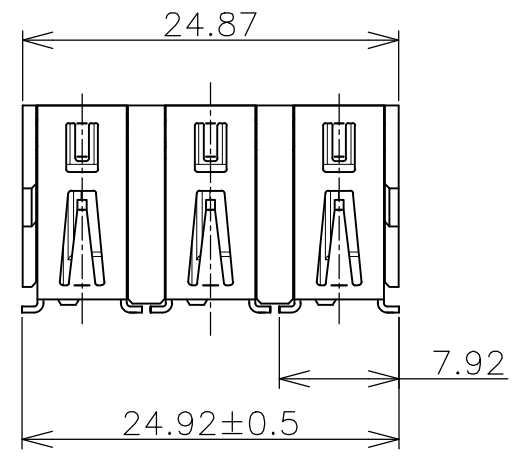
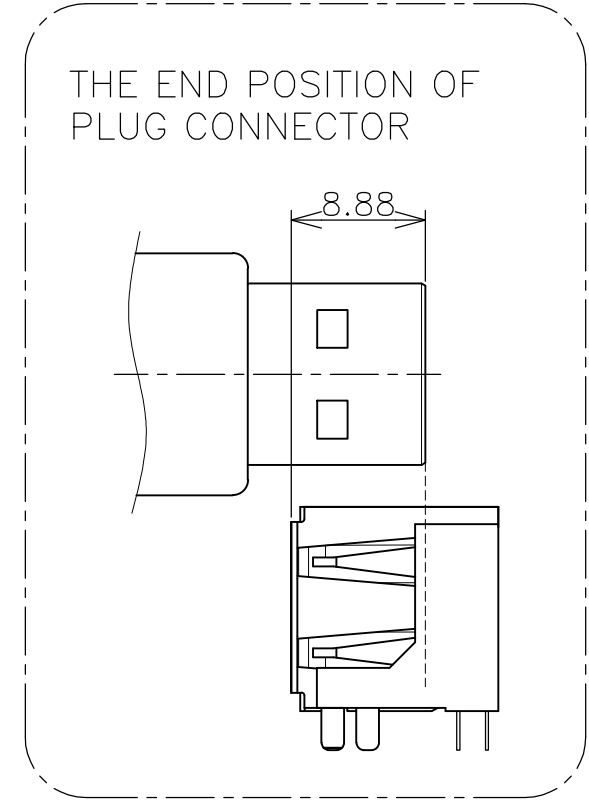
LOC	DIST	REVISIONS					
J	/	P	LTR	DESCRIPTION	DATE	DWN	APVD
		B3		ECR-15-016523	16NOV2015	T.Z	H.W

FRONT SHELL	③
CONTACT	②
HOUSING	①
NAME	ITEM No.

1-1674451-3
~~1674451-3~~ (B3)
 AS SHOWN

OBSOLETE

- ① MATERIAL
 HOUSING:THERMO-PLASTICS UL94V-0 NATURAL
 CONTACT:COPPER ALLOY
 FRONT SHELL:COPPER ALLOY
- ② FINISH
 CONTACT:NICKEL UNDER PLATE ALL OVER.
 CONTACT AREA:GOLD PLATE
 TINE AREA:TIN PLATE
 FRONT SHELL:TIN PLATE
- ③ FINISH
 CONTACT:NICKEL UNDER PLATE ALL OVER.
 CONTACT AREA:GOLD PLATE
 TINE AREA:TIN-LEAD PLATE
 FRONT SHELL:TIN-LEAD PLATE



SEE SHEET 3, 4	③	1-1674451-4
	②	1674451-4
SEE SHEET 1, 2	③	1-1674451-3
	②	(B3) 1674451-3
REMARK	FINISH	PART NO.

THIS DRAWING IS A CONTROLLED DOCUMENT.		DWN M.UMEHARA 16DEC03	STE TE Connectivity	
DIMENSIONS: 单位: 耗 MM		CHK S.KAJINUMA 16DEC03		
TOLERANCES UNLESS OTHERWISE SPECIFIED: 一般公差		APVD Y.YAMAMOTO 16DEC03	NAME 名称	
0 PLC ± 0.3		PRODUCT SPEC 製品規格	USB CONNECTOR RECEPTACLE TYPE	
1 PLC ± 0.3		APPLICATION SPEC 取付適用規格	SIZE A3	
2 PLC ± 0.3		WEIGHT	CAGE CODE 00779	DRAWING NO 番号 C-1674451
3 PLC ± 0.3		RESTRICTED CUSTOMER	SCALE 尺度 2:1	
4 PLC ± 0.3			SHEET 1 OF 4	
ANGLES ± 3°		REV B3		
FINISH 仕上				

THIS DRAWING IS UNPUBLISHED.

RELEASED FOR PUBLICATION

ALL RIGHTS RESERVED.

© COPYRIGHT 2004 By -

LOC J DIST

REVISIONS

変更

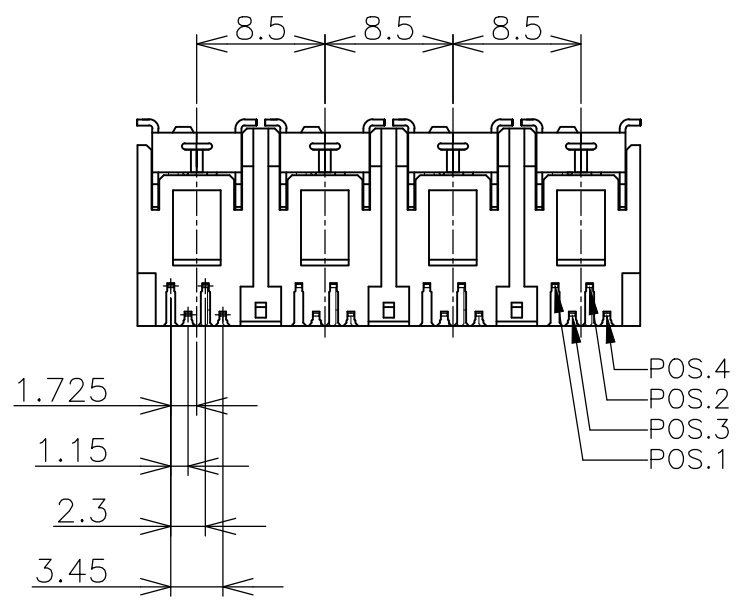
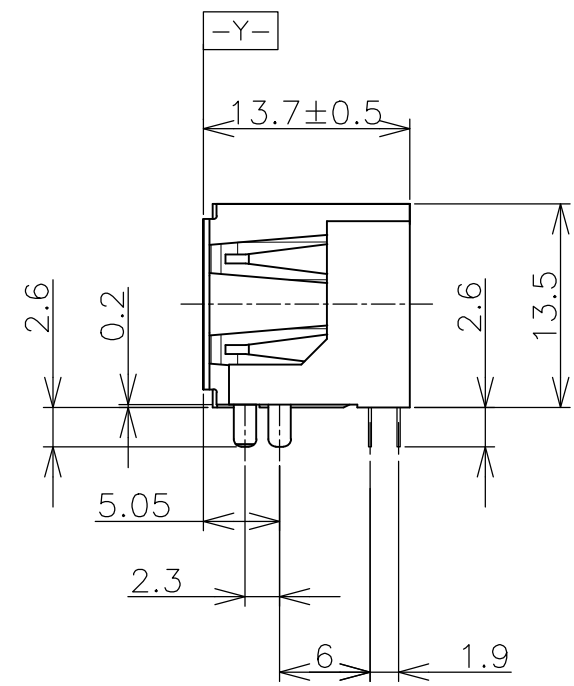
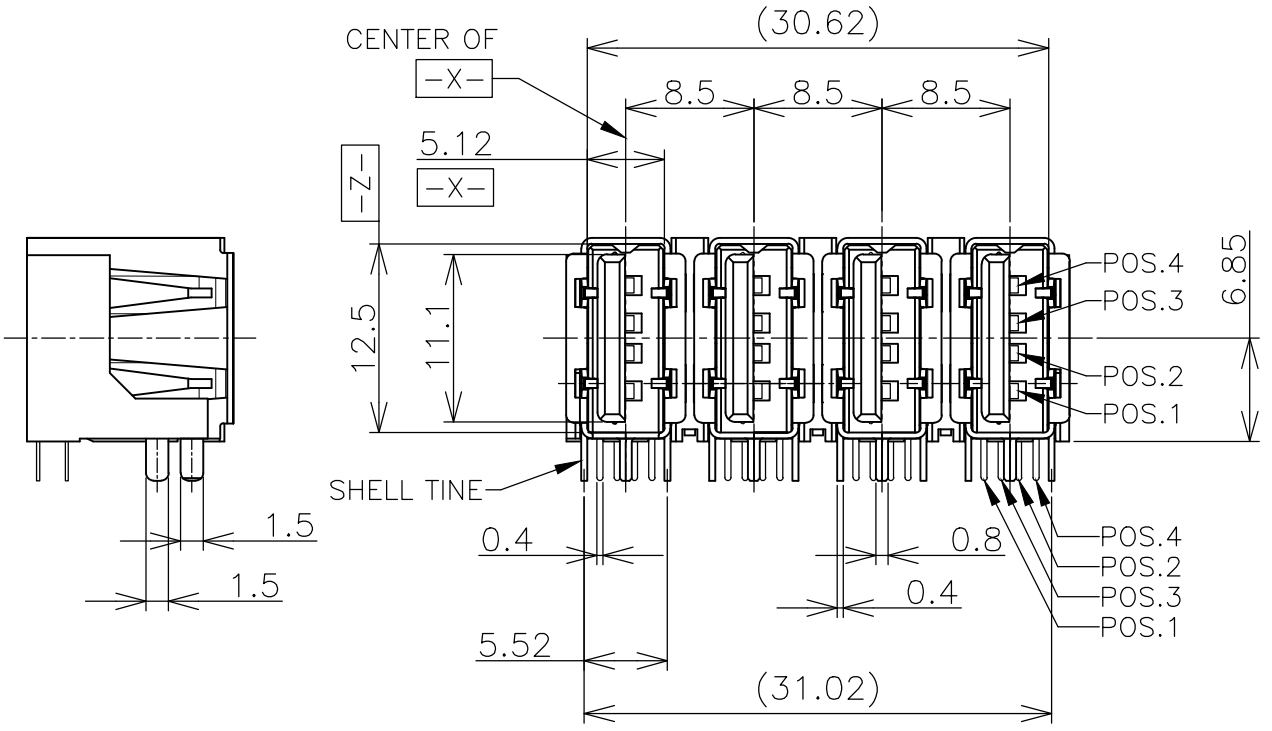
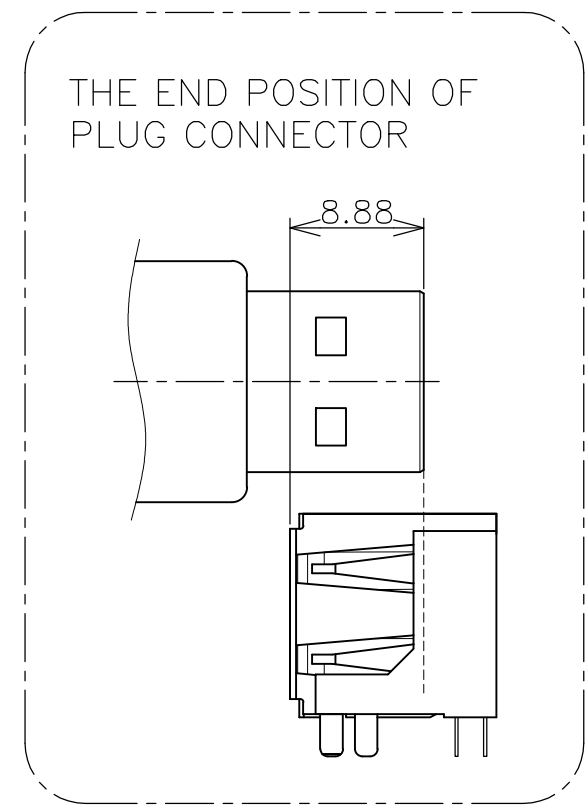
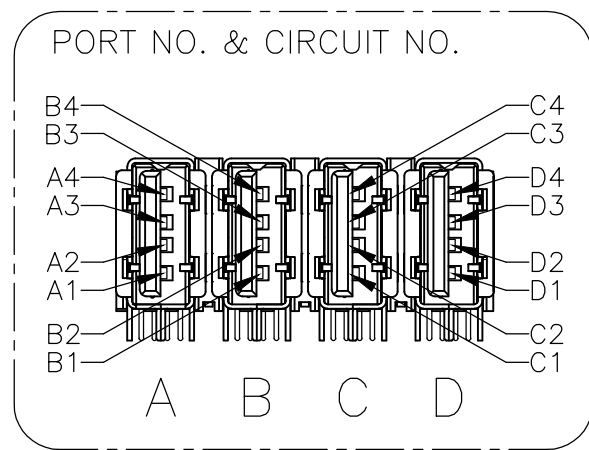
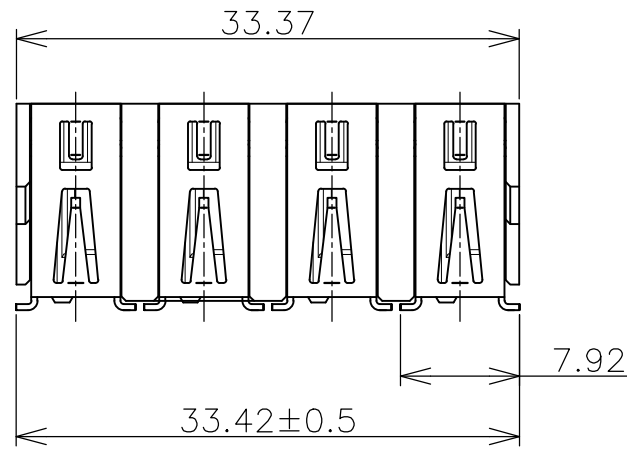
DESCRIPTION

DATE

DWN

APVD

SEE SHEET 1



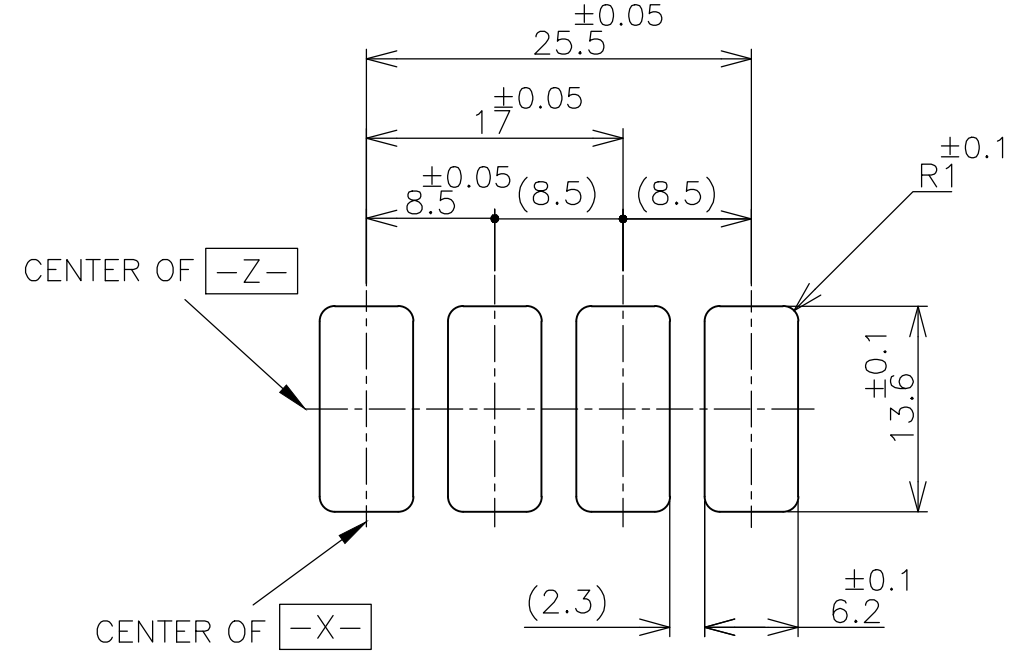
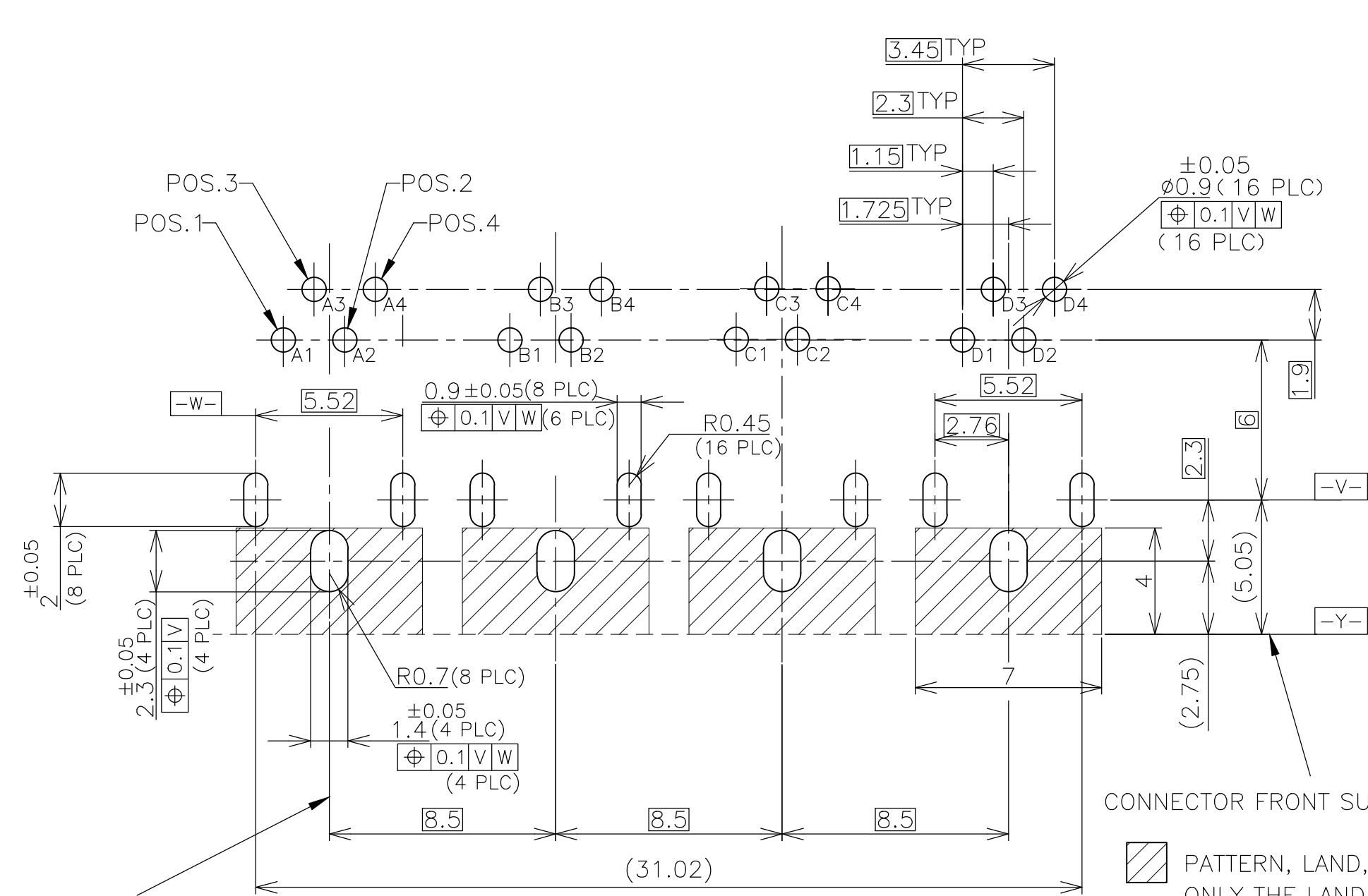
1-1674451-4 :AS SHOWN

OBSOLETE ~~1674451-4~~

THIS DRAWING IS A CONTROLLED DOCUMENT.		DWN		STE TE Connectivity	
DIMENSIONS: 単位: 耗 MM		CHK			
TOLERANCES UNLESS OTHERWISE SPECIFIED: 一般公差		APVD		NAME 名称	
0 PLC ± 0.3		PRODUCT SPEC 製品規格		USB CONNECTOR RECEPTACLE TYPE	
1 PLC ± 0.3		APPLICATION SPEC 取付適用規格		SIZE	
2 PLC ± 0.3		WEIGHT		CAGE CODE	
3 PLC ± 0.3		RESTRICTED CUSTOMER		DRAWING NO 番号	
4 PLC ± 0.3		SCALE 尺度		A3 00779 C-1674451	
ANGLES ± 3'		SHEET		3 OF 4	
FINISH 仕上		REV		B3	

THIS DRAWING IS UNPUBLISHED. RELEASED FOR PUBLICATION
 © COPYRIGHT 2004 By - ALL RIGHTS RESERVED.

LOC	DIST	REVISIONS					
J		P	LTR	DESCRIPTION	DATE	DWN	APVD
		-		SEE SHEET 1	-	-	-



* THIS DIMENSIONS ARE NOT CONSIDERATION
 PANEL TOLERANCE AND PANEL ASSEMBLY TOLERANCE.

RECOMMENDED PANEL DIMENSION
 (SCALE 2:1)

CONNECTOR FRONT SURFACE

PATTERN, LAND, VIA HOLE, MOUNT, PROHIBITION AREA.
 ONLY THE LAND FOR SOLDERING OF FRONT SHELL IS OK.

OBSOLETE

APPLICATION PRODUCT: ~~1674451-4~~
 1-1674451-4

RECOMMENDED LAYOUT OF P.C.B
 (CONNECTOR MOUNTING SIDE)
 RECOMMENDED THICKNESS: 1.0~1.6mm

THIS DRAWING IS A CONTROLLED DOCUMENT.		DWN			
DIMENSIONS: 單位: 耗 MM		CHK			
TOLERANCES UNLESS OTHERWISE SPECIFIED: 一般公差		APVD		NAME 名称	
0 PLC ± 0.3		PRODUCT SPEC		USB CONNECTOR	
1 PLC ± 0.3		製品規格		RECEPTACLE TYPE	
2 PLC ± 0.3		APPLICATION SPEC		SIZE	
3 PLC ± 0.3		取付適用規格		CAGE CODE	
4 PLC ± 0.3		WEIGHT		DRAWING NO	
ANGLES ± 3'		RESTRICTED CUSTOMER		番号	
FINISH 仕上		RESTRICTED TO		A300779	
		SCALE		1674451	
		尺度		5:1	
		SHEET		4 OF 4	
		REV		B3	

X-ON Electronics

Largest Supplier of Electrical and Electronic Components

Click to view similar products for [USB Connectors](#) category:

Click to view products by [TE Connectivity](#) manufacturer:

Other Similar products are found below :

[65-647-8-BK-BU](#) [950](#) [952](#) [E8144-B01021-L](#) [A-USB B-TOP-C](#) [MUSBA511N5](#) [MUSBD11135](#) [217450-1](#) [KMBVX-TH-5S-B30](#) [896-30-004-00-000000](#) [KUSBVX-BS1N-W30](#) [KUSBX-AP-KIT-SCBLK](#) [KUSBX-AS2N-W](#) [KUSBX-SMT2AP1S-W](#) [KUSBX-SMT2AP1S-W30](#) [935](#) [957](#) [30-498-6](#) [SK-60A-2](#) [17-210051](#) [1734082-1](#) [30-1574](#) [30-470](#) [30-489](#) [30-541](#) [30-572-3](#) [A-USB A-2P-C](#) [MIKROE-1451](#) [USBFTV2PEM2G](#) [USBFTVC6ZN](#) [KUSBX-AS2N-W30](#) [KUSBX-SLAS1N-W](#) [KUSBX-SMT-AS1N-W30](#) [4689-1](#) [1-1734084-2](#) [E8110-001-01](#) [33UBARS1-04SW11](#) [33UBAR-04SW11](#) [USBF21ZNSCC](#) [USBBFTV6ZC](#) [10135326-001LF](#) [M9177/3-1](#) [USB-A-S-F-B-VT](#) [925](#) [4198](#) [690-024-633-031](#) [KUSBEX-BSFS1N-W](#) [USBFTVC6MRG](#) [UA-20BMFA-SL8001](#) [17-250101](#)