

4

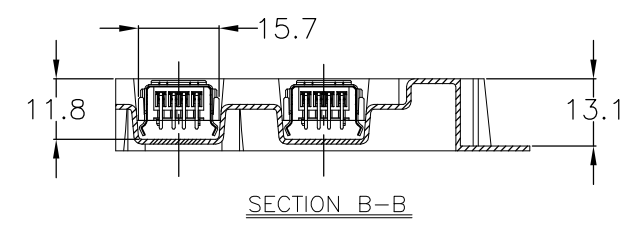
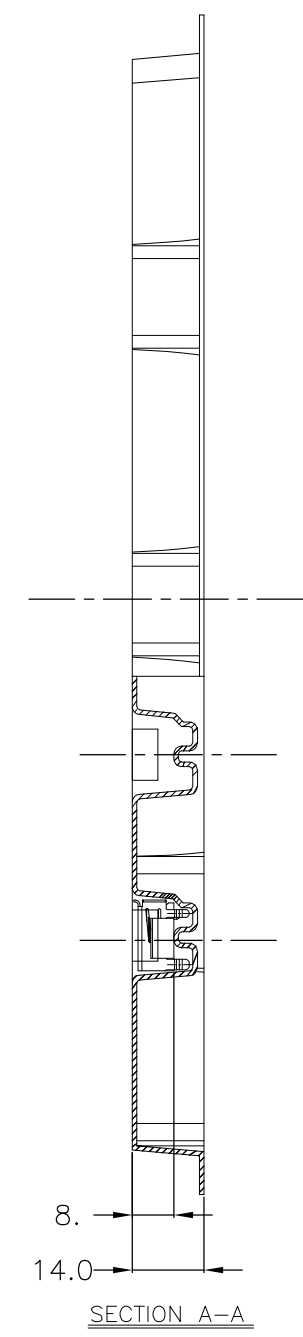
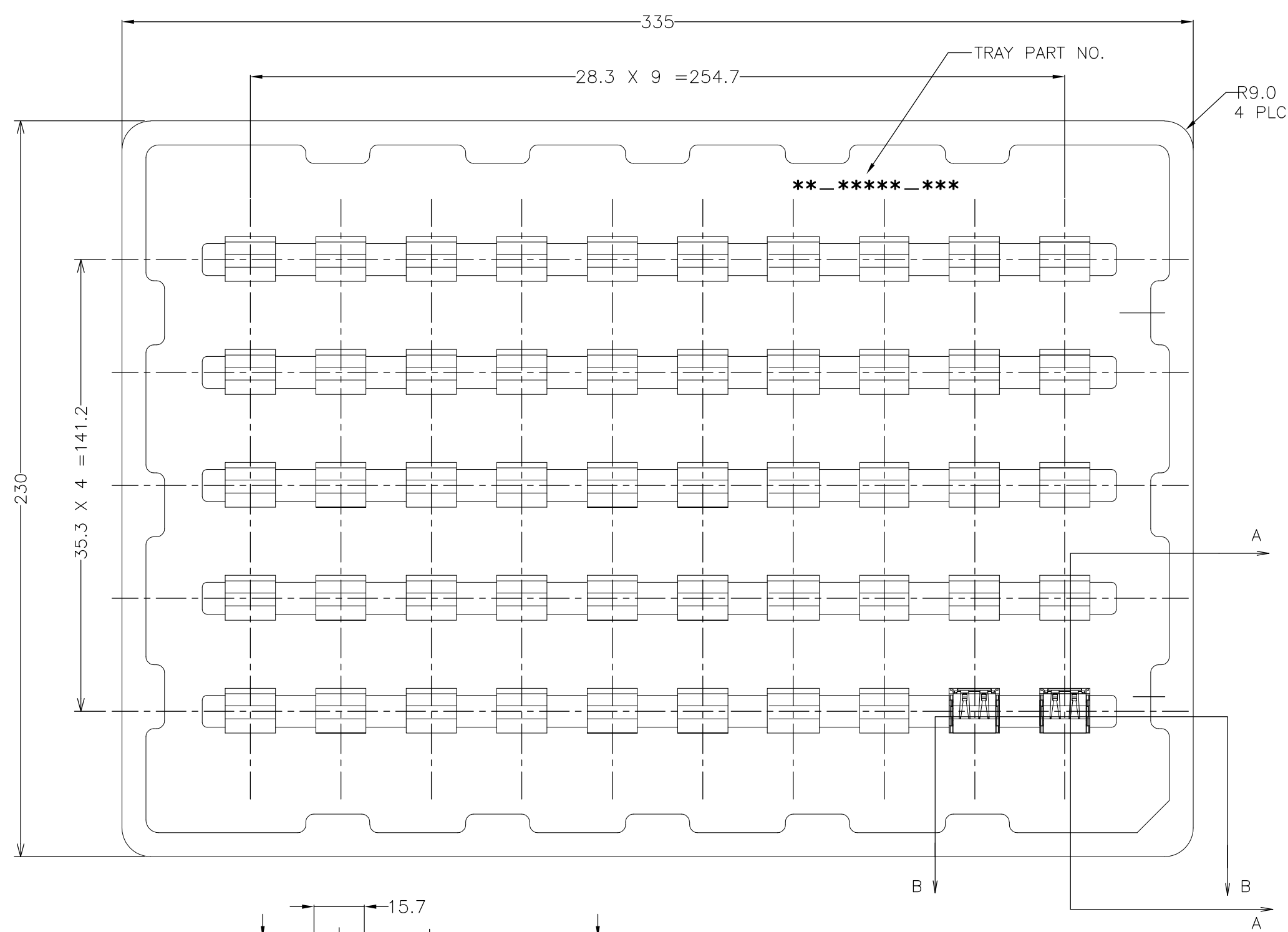
3

2

1

THIS DRAWING IS UNPUBLISHED. RELEASED FOR PUBLICATION
 © COPYRIGHT - BY TYCO ELECTRONICS CORPORATION. ALL RIGHTS RESERVED.

LOC	DIST	REVISIONS					
ES	-	P	LTR	DESCRIPTION	DATE	DWN	APVD
			B1	REVISED PER ECR-19-001024	29JAN19	T.Z	S.L



PART NUMBER	STATUS
1674459-4	PRELIMINARY

THIS DRAWING IS A CONTROLLED DOCUMENT.		DWN	AMOS ZHU	28NOV08	 Tyco Electronics Corporation Shanghai, P.R.China, 200233
DIMENSIONS: mm		CHK	MARTIN LI	28NOV08	
TOLERANCES UNLESS OTHERWISE SPECIFIED:		APVD	STEVEN YAO	28NOV08	
0 PLC ± 0.30 1 PLC ± 0.30 2 PLC ± - 3 PLC ± - 4 PLC ± - ANGLES ± 2° MATERIAL FINISH		NAME	TRAY REC. ASS'Y R/A DIP HIGH DURABILITY TYPE USB CONNECTOR		
PRODUCT SPEC 108-60053 APPLICATION SPEC -		SIZE	CAGE CODE	DRAWING NO	RESTRICTED TO
CUSTOMER DRAWING		A3	00779	C-1674459	
		SCALE	1:1	SHEET	1 OF 3
				REV	B1

THIS DRAWING IS UNPUBLISHED.

RELEASED FOR PUBLICATION

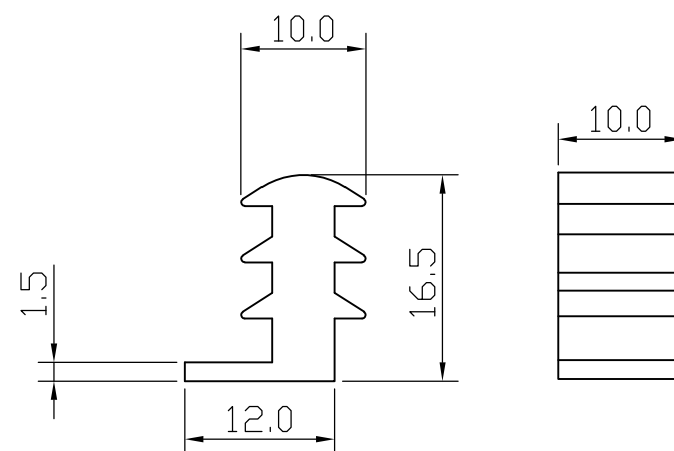
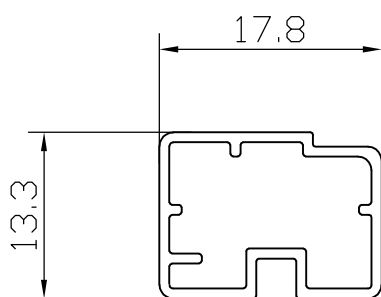
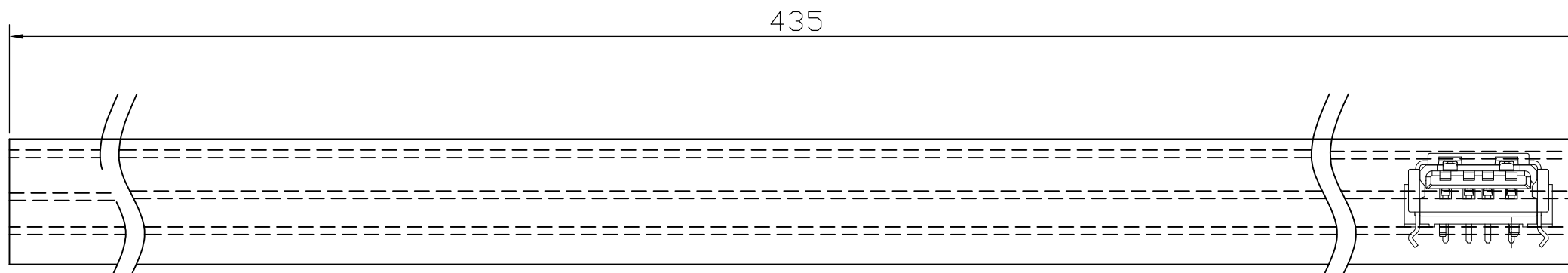
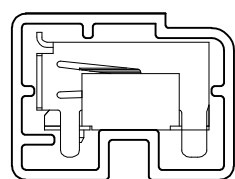
LOC
ES

DIST
—

REVISIONS

© COPYRIGHT - BY TYCO ELECTRONICS CORPORATION. ALL RIGHTS RESERVED.

P	LTR	DESCRIPTION	DATE	DWN	APVD
	—	SEE SHEET 1	—	—	—



THIS DRAWING IS A CONTROLLED DOCUMENT.

DWN AMOS ZHU 28NOV08

CHK MARTIN LI 28NOV08

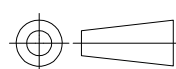
APVD STEVEN YAO 28NOV08



Tyco Electronics Corporation
Shanghai, P.R.China, 200233

DIMENSIONS: mm
TOLERANCES UNLESS OTHERWISE SPECIFIED:

- 0 PLC ± 1.0
- 1 PLC ± 1.0
- 2 PLC ± -
- 3 PLC ± -
- 4 PLC ± -
- ANGLES ± 2°
- FINISH



MATERIAL

PRODUCT SPEC

APPLICATION SPEC

WEIGHT

NAME
TRAY REC. ASS'Y R/A DIP
HIGH DURABILITY TYPE USB CONNECTOR

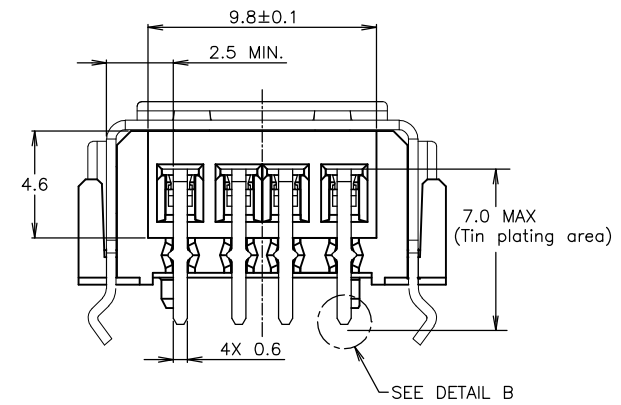
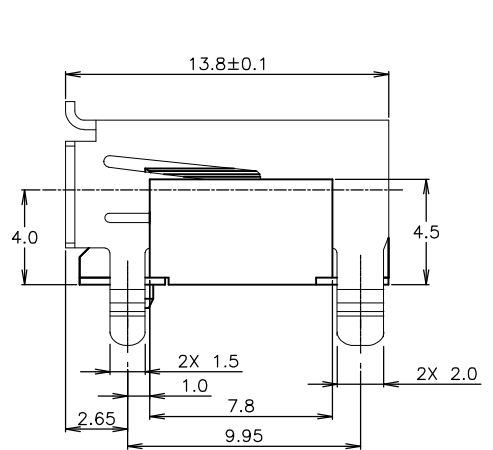
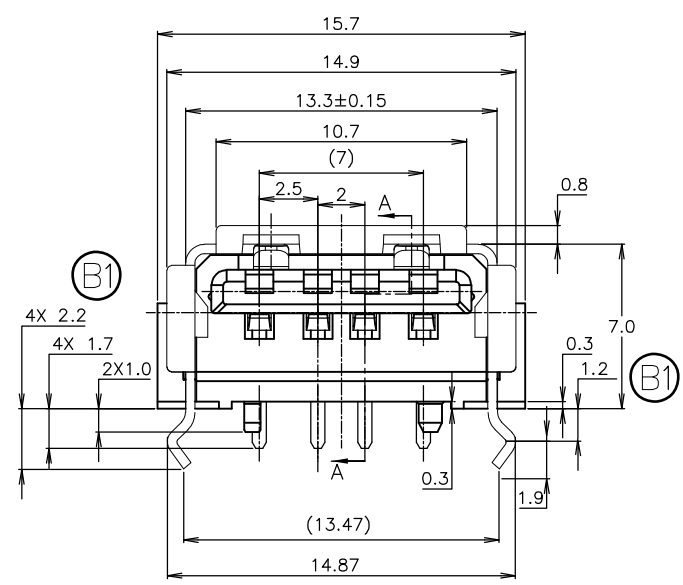
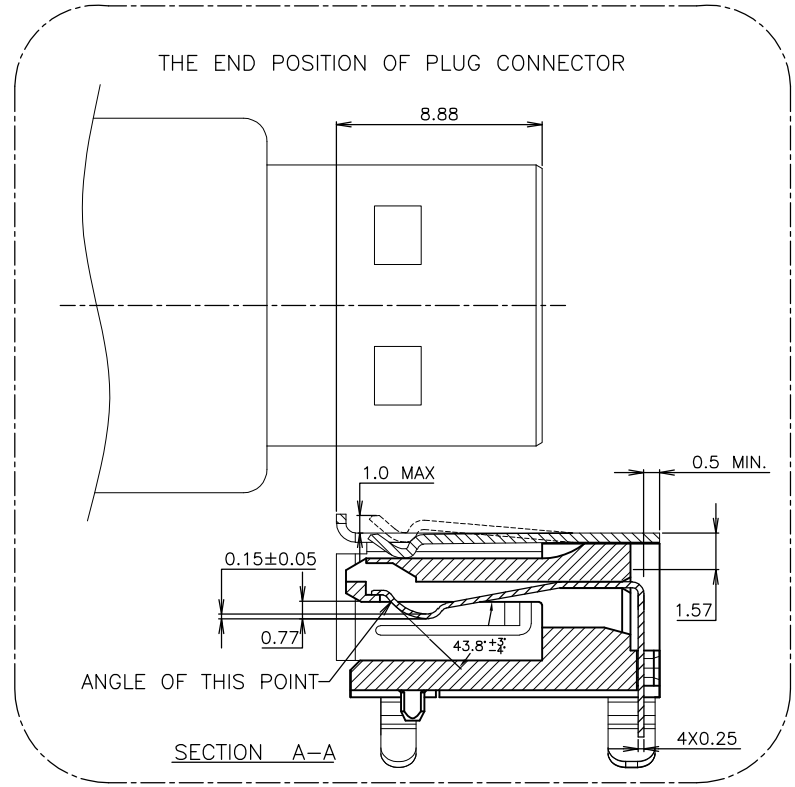
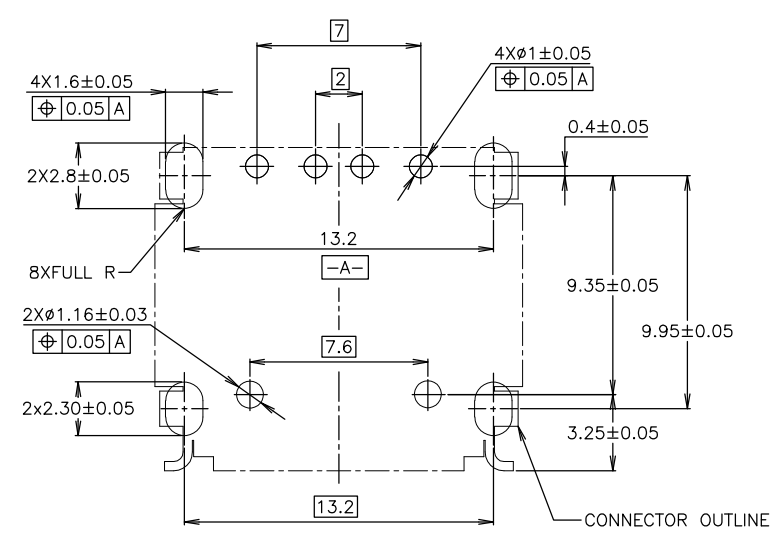
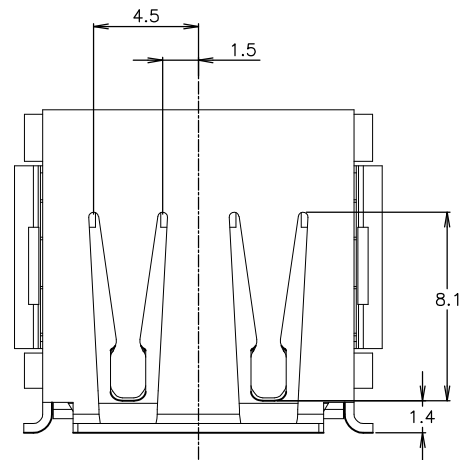
SIZE	CAGE CODE	DRAWING NO	RESTRICTED TO
A3	00779	C-1674459	

PART NUMBER	STATUS
2-1674459-4	PRELIMINARY

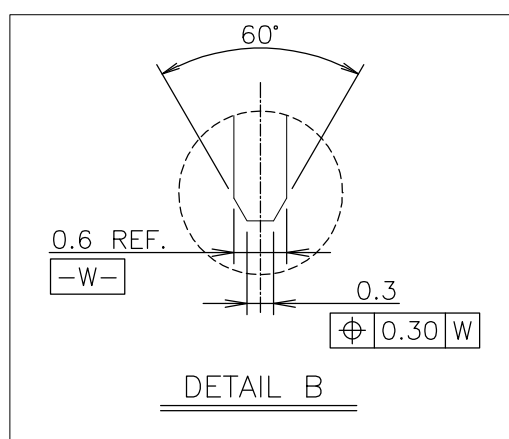
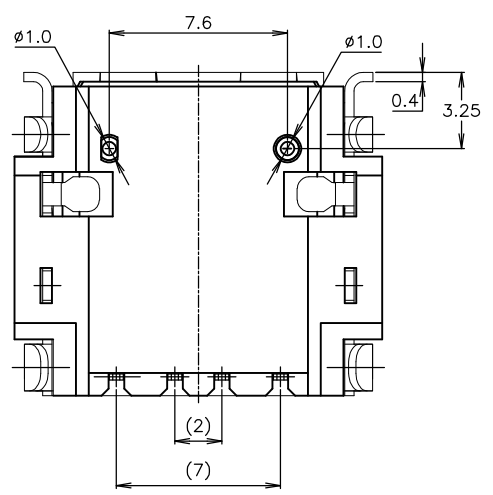
CUSTOMER DRAWING SCALE 1:1 SHEET 2 OF 3 REV B1

THIS DRAWING IS UNPUBLISHED. RELEASED FOR PUBLICATION
 © COPYRIGHT BY TYCO ELECTRONICS CORPORATION. ALL RIGHTS RESERVED.

LOC	DIST	REVISIONS			
P	LTR	DESCRIPTION	DATE	DWN	APVD
ES	—	SEE SHEET 1	—	—	—



NOTES
 ① MATERIAL & FINISH
 CONTACT: COPPER ALLOY
 Au PL. AT CONTACT AREA OVER Ni PL.
 TIN PL. AT TINE AREA OVER Ni PL.
 HOUSING: LCP, UL94V-0.
 COLOR: NATURAL
 ② SHELL: STAINLESS STEEL, TIN PL
 2. RECOMMENDED P.C.B THICKNESS 1.00±0.05 mm.



THIS DRAWING IS A CONTROLLED DOCUMENT.

DIMENSIONS:	TOLERANCES UNLESS OTHERWISE SPECIFIED:
mm	
0 PLC	± 0.30
1 PLC	± 0.30
2 PLC	± -
3 PLC	± -
4 PLC	± -
ANGLES	± 2'
MATERIAL	FINISH

DWN	AMOS ZHU	28NOV08
CHK	MARTIN LI	28NOV08
APVD	STEVEN YAO	28NOV08
PRODUCT SPEC	108-60053	
APPLICATION SPEC	-	
WEIGHT	-	
CUSTOMER DRAWING		

Tyco Electronics		Tyco Electronics Corporation Shanghai, P.R.China, 200233	
NAME		TRAY REC. ASS'Y R/A DIP HIGH DURABILITY TYPE USB CONNECTOR	
SIZE	CAGE CODE	DRAWING NO	RESTRICTED TO
A3	00779	C-1674459	
SCALE		SHEET	REV
1:1		3 OF 3	B1

X-ON Electronics

Largest Supplier of Electrical and Electronic Components

Click to view similar products for [USB Connectors](#) category:

Click to view products by [TE Connectivity](#) manufacturer:

Other Similar products are found below :

[65-647-8-BK-BU](#) [950](#) [952](#) [E8144-B01021-L](#) [A-USB B-TOP-C](#) [MUSBA511N5](#) [MUSBD11135](#) [217450-1](#) [KMBVX-TH-5S-B30](#) [896-30-004-00-000000](#) [KUSBVX-BS1N-W30](#) [KUSBX-AP-KIT-SCBLK](#) [KUSBX-AS2N-W](#) [KUSBX-SMT2AP1S-W](#) [KUSBX-SMT2AP1S-W30](#) [935](#) [957](#) [30-498-6](#) [SK-60A-2](#) [17-210051](#) [1734082-1](#) [30-1574](#) [30-470](#) [30-489](#) [30-541](#) [30-572-3](#) [A-USB A-2P-C](#) [MIKROE-1451](#) [USBFTV2PEM2G](#) [USBFTVC6ZN](#) [KUSBX-AS2N-W30](#) [KUSBX-SLAS1N-W](#) [KUSBX-SMT-AS1N-W30](#) [4689-1](#) [1-1734084-2](#) [E8110-001-01](#) [33UBARS1-04SW11](#) [33UBAR-04SW11](#) [USBF21ZNSCC](#) [USBBFTV6ZC](#) [10135326-001LF](#) [USB-A-S-F-B-VT](#) [925](#) [4198](#) [690-024-633-031](#) [KUSBEX-BSFS1N-W](#) [USBFTVC6MRG](#) [UA-20BMFA-SL8001](#) [17-250101](#) [USBFTVC7ZC](#)