

THIS DRAWING IS UNPUBLISHED.

RELEASED FOR PUBLICATION

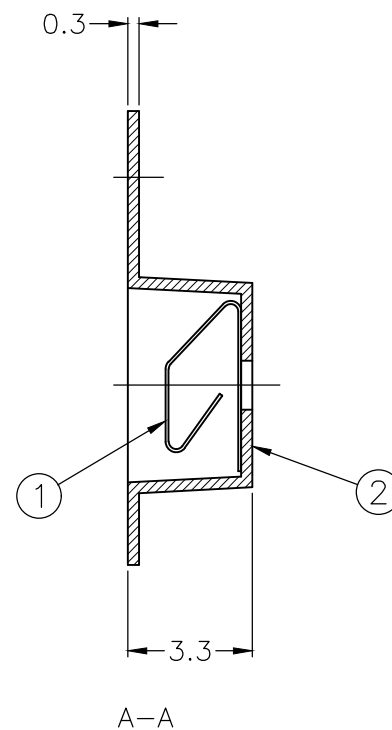
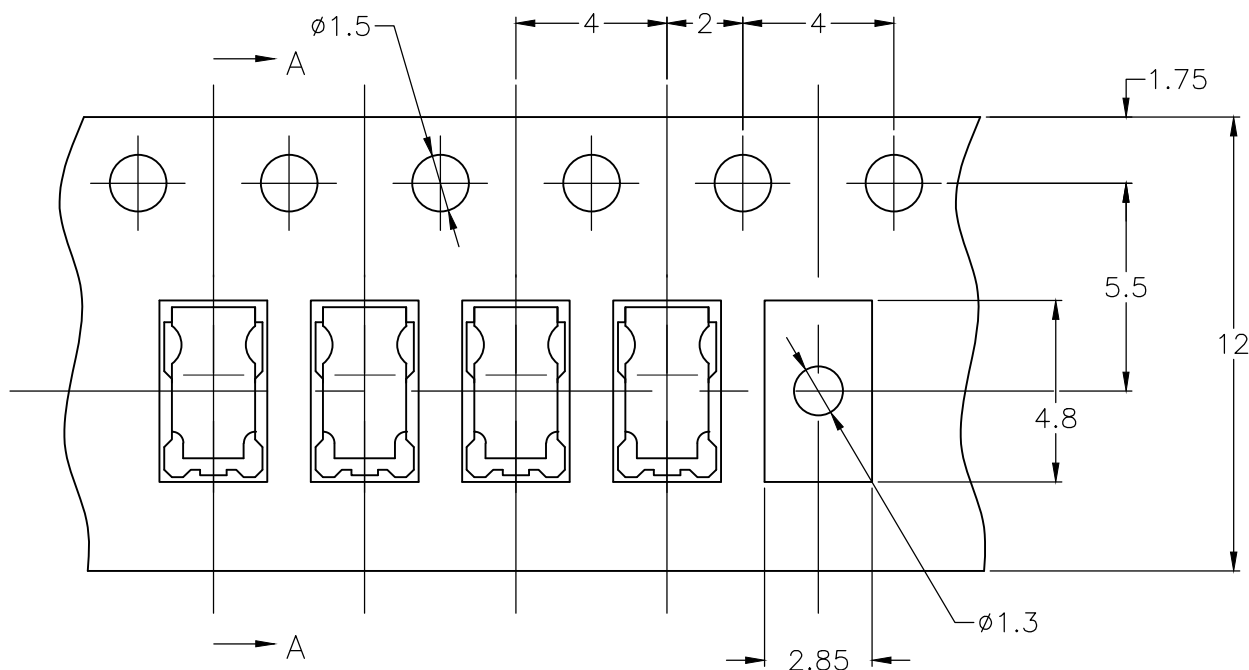
© COPYRIGHT - TE Connectivity Ltd.

ALL RIGHTS RESERVED.

REVISIONS

P	LTR	DESCRIPTION	DATE	DWN	APVD
	A2	REVISED ECR-18-009729	22JUN2018	J.J	W.H

DIRECTION OFF TOP OF REEL



- ① PACKING MATERIAL  
EMBOSS CARRIER TAPE : ANTISTATIC TAPE -1 : AS SHOWN  
COVER FILM : ANTISTATIC FILM  
REEL : PAPER
- ② QUANTITY OF REEL : 5000 EA/REEL
- ③ PEELING FORCE : 10 to 70 gf

FIG.2 REEL DIMENSION

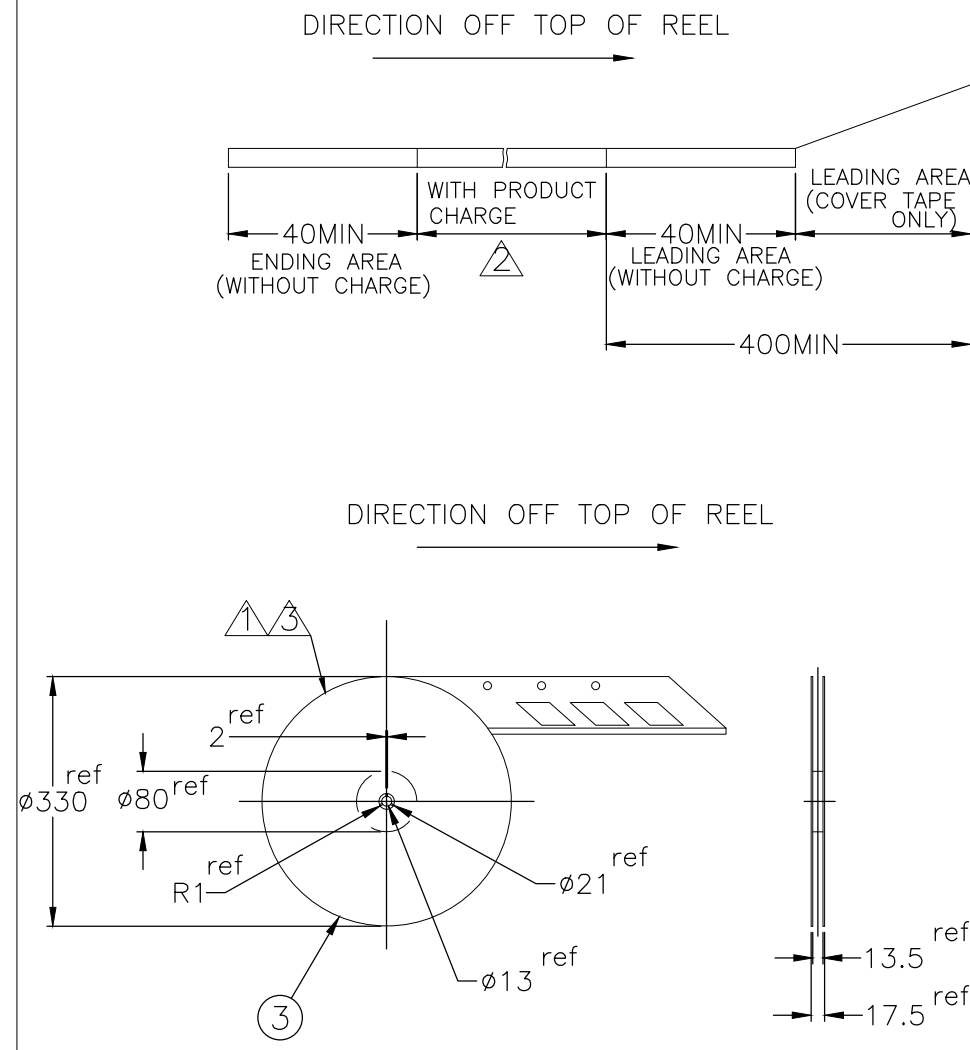
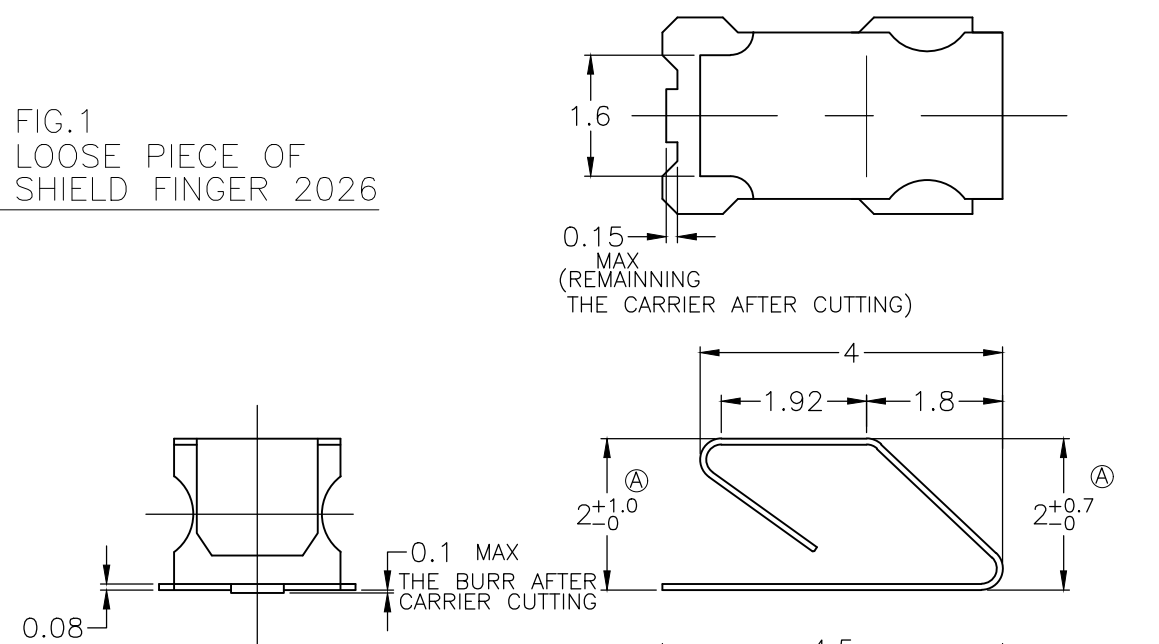
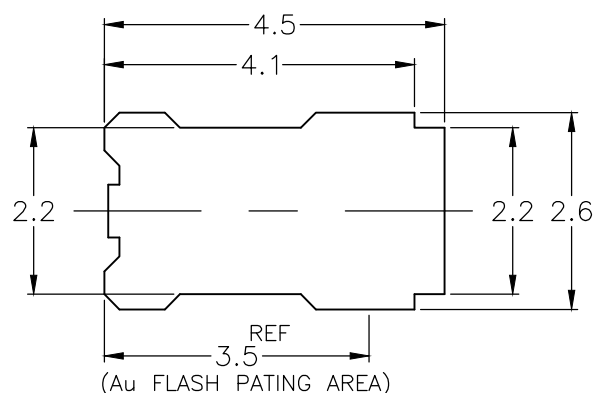
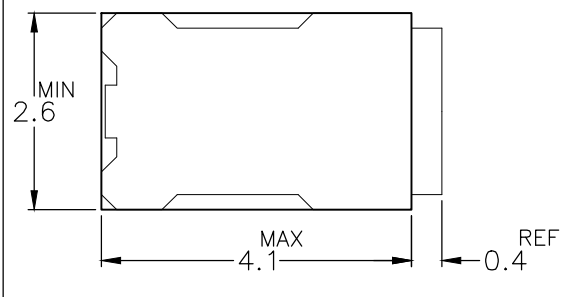


FIG.1 LOOSE PIECE OF SHIELD FINGER 2026



RECOMMENDED FOOT PRINT REFERENCE ONLY



THIS DRAWING IS A CONTROLLED DOCUMENT.

DIMENSIONS: 単位: 耗 mm	TOLERANCES UNLESS OTHERWISE SPECIFIED: 一般公差
0 PLC	± 0.5
1 PLC	± 0.3
2 PLC	± 0.1
3 PLC	± -
4 PLC	± -
ANGLES	± 3

MATERIAL 材料 FINISH 仕上

DWN	H.TAKASU	12JUN2003
CHK	K.KODAIRA	16JUN03
APVD	K.KODAIRA	16JUN03
PRODUCT SPEC	製品規格	
APPLICATION SPEC	取付適用規格	
WEIGHT	0	

TE Connectivity Ltd.		
NAME 名称 SHIELD FINGER 2026 WITH CONTINUOUS TAPES		
SIZE	CAGE CODE	DRAWING NO 番号
A3	00779	C-1674954
RESTRICTED TO		
-		

1	REEL		③
①	CARRIER TAPE	①	②
-	SHIELD FINGER 2026		①
Q'TY	MATERIAL	FINISH	ITEM

CUSTOMER DRAWING SCALE 1:1 SHEET 1 OF 1 REV A2

## X-ON Electronics

Largest Supplier of Electrical and Electronic Components

*Click to view similar products for [EMI Gaskets, Sheets, Absorbers & Shielding](#) category:*

*Click to view products by [TE Connectivity](#) manufacturer:*

Other Similar products are found below :

[8101010140](#) [8563-0090-89](#) [1194-7.7X10](#) [1245-34"X18YD](#) [1267](#) [1345-3/8x18yrd](#) [1554907-1](#) [2320002000](#) [2320014700](#) [SG293037DS](#)  
[ST005PCN50](#) [55005107](#) [38M4040AA0606](#) [46J5N02020.NN00](#) [1125-8X10](#) [1126X1"](#) [1170-3/4X18YDS](#) [1170-7.7x10](#) [1183-12"X18YD](#) [6-](#)  
[34T-BD-0.315](#) [SG125187D-24](#) [SG125250R-24](#) [SG187375R-24](#) [SG284050DS](#) [8402010540](#) [KIT TECH CLIP](#) [1194](#) [10-40450-28S](#) [1245](#)  
[1267-1/2"x18yd](#) [46J8501020.NN00](#) [1170-1/4"x18yd](#) [AL-36FR-1x54.5](#) [3013310A](#) [1194X1"](#) [3020604](#) [3021302](#) [3031313](#) [260709](#) [3021310](#) [6-](#)  
[34UT-070-BD-16](#) [303076048](#) [46J5N03020.NN00](#) [30206025](#) [30395641](#) [3030403](#) [3690103020](#) [HNY-LT15CU4241](#) [46X7503020.NN00](#)  
[46W5E02520.NN00](#)