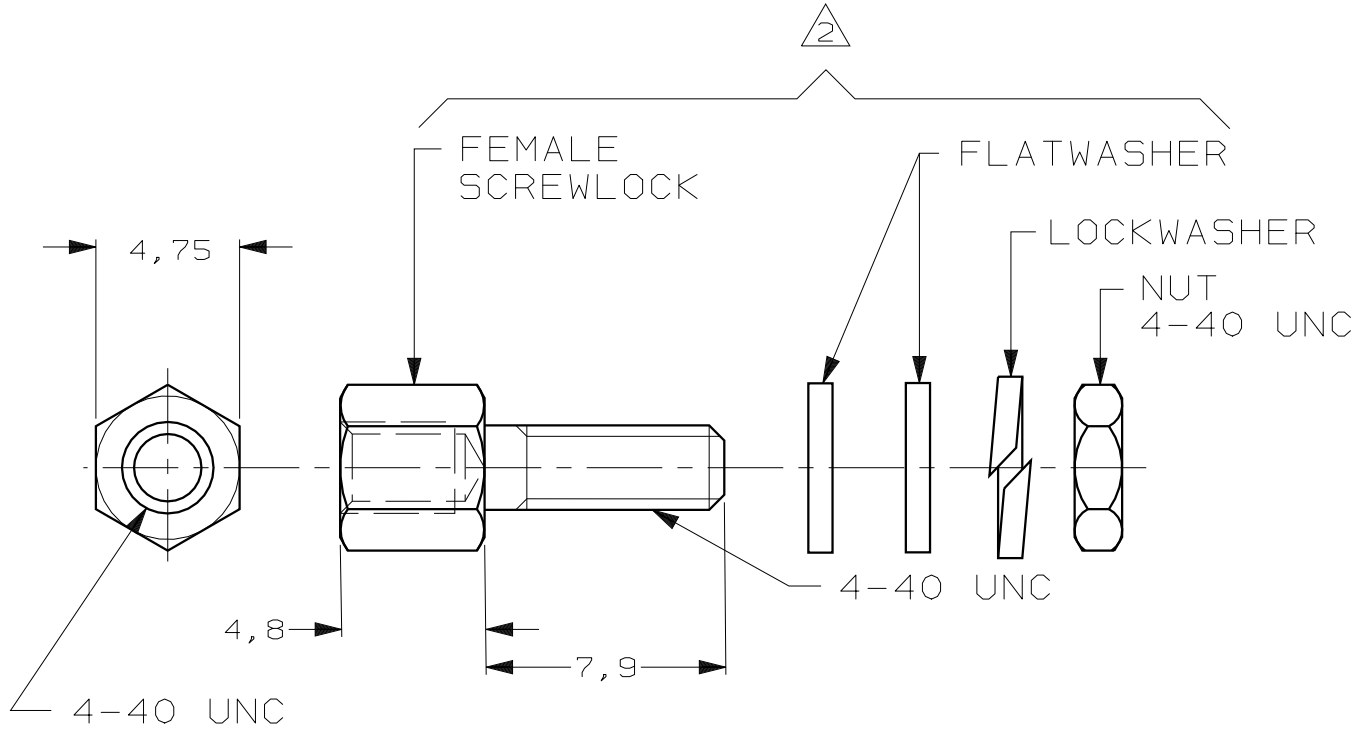
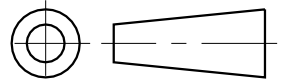


DO NOT SCALE

DIMENSIONS IN mm

METRIC

THIRD ANGLE
PROJECTION



- NOTES: 1 PARTS PACKAGED UNASSEMBLED
 2 THIS KIT CONTAINS TWO SCREWLOCK ASSEMBLIES
 3 BULKPACKAGE CONSISTS OF 50 KITS
 PLEASE ORDER IN UNITS OF 50 KITS
 4 FOR MOUNTING INSTRUCTIONS SEE I-042-087
 5 167501-1, -3, SUPERSEDED BY 167501-2.

E	ECR-05-013427	JvdH	JB	19 OCT 05
D	ECR-05-009767	JvdH	JB	26 AUG 05
C	EH01-0375-04	JvdH	PDJ	16 MAR 04
LTR.	REVISION RECORD	DR.	CHK.	DATE

KIT	2 BRIGHT TINPLATED	STEEL	5 167501-3
BULKPACKAGED	3 BRIGHT TINPLATED		167501-2
BULKPACKAGED	3 ZINC YELLOW CHROMATE		5 167501-1
DESCRIPTION	FINISH	MATERIAL	PARTNUMBER

CUSTOMER DRAWING	AMP		AMP-HOLLAND B.V. 's-Hertogenbosch, The Netherlands.	
	THIS DRAWING IS UNPUBLISHED RELEASED FOR PUBLICATION , 19			
FOR REFERENCE ONLY WILL NOT BE UPDATED				
© COPYRIGHT 19- BY AMP-HOLLAND B.V. ALL INTERNATIONAL RIGHTS RESERVED. AMP PRODUCTS MAY BE COVERED BY U.S. AND FOREIGN PATENTS AND/OR PATENTS PENDING.				

DR. P.D. JÄGER	DATE 21-03-89	WIRE RANGE -	NAME AMPLIMITE, KIT, FEMALE SCREWLOCK ASSEMBLY 4-40 UNC	REV. DATE D M Y
CHK. -	DATE -	INSUL. RANGE -		21 03 89
APP. -	DATE -	SIZE A4	SHEET 1 OF 1	DWG. No. 167501
				REV. LTR. E

X-ON Electronics

Largest Supplier of Electrical and Electronic Components

Click to view similar products for [D-Sub Tools & Hardware](#) category:

Click to view products by [TE Connectivity](#) manufacturer:

Other Similar products are found below :

[000-01-09-132](#) [000-01-21-132](#) [000-01-31-162](#) [572019-00105-70](#) [000-01-37-162](#) [621-250-113-115](#) [D110550-2](#) [D20418-137](#) [780-518-50SG6-WS](#) [86552009](#) [86553115TLF](#) [86553117TLF](#) [1230032-1](#) [1-5021101-2](#) [15-000050](#) [1589283-4](#) [160-000-005R031](#) [16-000230](#) [160-025-004R031](#) [160-000-137R000](#) [160-020-209R000](#) [160X10909X](#) [164C03939A](#) [177-505-A-2-2](#) [1-966830-8](#) [21018-6](#) [21028-2](#) [2-1393560-9](#) [JS-1000](#) [L17D204182M3E](#) [L17D53018](#) [300X10779X](#) [160X10189X](#) [160X10419X](#) [162-000-050R000](#) [21018-5](#) [212561-3](#) [248C21550X](#) [CF15P](#) [QLOCKPOST-2](#) [D110277](#) [500-008NF1K-01](#) [500-008NF3R3KS-01](#) [500-017M09FN](#) [500-017M15MHN](#) [500-024M1](#) [500-068M3](#) [5-1393561-5](#) [C115373-0001](#) [C115373-0002](#)