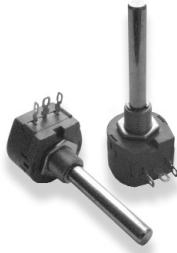


Type TW Series

Type TW Series



This high power wire wound potentiometer is a recent addition to the Tyco range. The TW series offers 1 Watt power rating, low terminal resistance and excellent linearity. For a rugged high power control potentiometer at a very attractive price the TW Series will satisfy your requirements.

Key Features

- Wirewound Element
- Proven Reliability
- Excellent Linearity
- 1 W Rating at 40°C
- Robust Construction
- Custom Designs Possible

Characteristics - Electrical

Resistance Range:	5R0 to 20K (Linear)
Resistance Values:	1, 2 and 5 in each decade
Resistance Tolerance:	10%
Linearity:	2% maximum
Rated Dissipation at 40°C:	1 W
Maximum Working Voltage:	200V DC
Electrical Rotation:	265° ±5°
Terminal Resistance:	2 ohms
Maximum Wiper Current:	100mA
Insulation Resistance:	1000M Ohms at 500V DC
Voltage Proof:	1000V AC

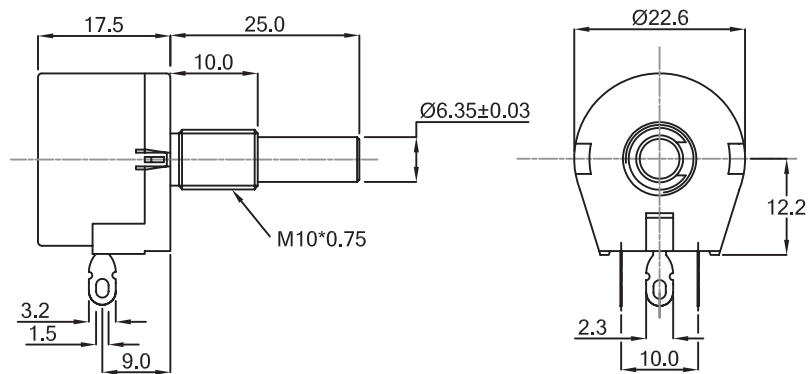
Characteristics - Mechanical

Shaft Torque:	3.5 - 100 mNm
Mechanical Rotation:	285° ±5°

Characteristics - Environmental

Operating Temperature:	-55°C to +125°C
Temperature Coefficient:	100ppm/°C
Mechanical Endurance:	10,000 operations
Sealing:	Enclosed

Dimensions



How to Order

TW	1	102	K	A
Common Part	Power Dissipation	Resistance Value	Tolerance	Shaft Style
TW - Wirewound Potentiometer	1 - 1 Watt at 40°C	The first two digits are significant figures of resistance value and the third denotes the number of zeros following. e.g. 100R: 101 1K0: 102 10K: 103 100K: 104	K - ±10%	A - 6.35 x 25mm Plain

## X-ON Electronics

Largest Supplier of Electrical and Electronic Components

*Click to view similar products for [Potentiometers](#) category:*

*Click to view products by [TE Connectivity](#) manufacturer:*

Other Similar products are found below :

[590SX1N32F103SS](#) [006-0-1](#) [591SXJ48S252SC](#) [591SXP56S252SC](#) [591SXP56S503SC](#) [D31409](#) [70B1G048K502X-A](#) [70B1M032S502W](#)  
[70B1N056S202W](#) [70B8N056F502W](#) [70J8N048S104U](#) [70L1N040P103W](#) [70L1N048P103X](#) [70L1N048S103W](#) [81R1A-R22-A20L](#) [85A2A-](#)  
[B28-B27/R51](#) [GS1G044P103UA](#) [GS1T032S103UA](#) [A47-200K](#) [A4720K](#) [RA20LASD251A](#) [132-0-0-502](#) [132-2-0-202](#) [132-0-0-102](#) [132-0-0-](#)  
[103](#) [132B00301](#) [RK14K1220-F25-C0-A103](#) [RK14K1220F25C0C104](#) [RK14K1220-F25-C1-B103](#) [14910AABHSX10102KA](#)  
[14910F0GJSX10105KA](#) [14910FAGJSX10102KA](#) [14910FBGLFY00103KA](#) [14910AABHSX10502KA](#) [14910FAGJSX10104KA](#) [ASM6674E](#)  
[152-01031](#) [P140KH1-F15AR50K](#) [P170SPD-FC15BR10K](#) [P231-EC20BR5K](#) [P270-109A](#) [J97589](#) [P9A2R000FISX1103MA](#)  
[248BBHS0XB25104MA](#) [248BBHS0XB25503MA](#) [RV170F-10-15R1-B500K-0021](#) [RV24AF-10-15R1-B500-3](#) [A43-750](#) [A47-15K](#) [A4750K](#)