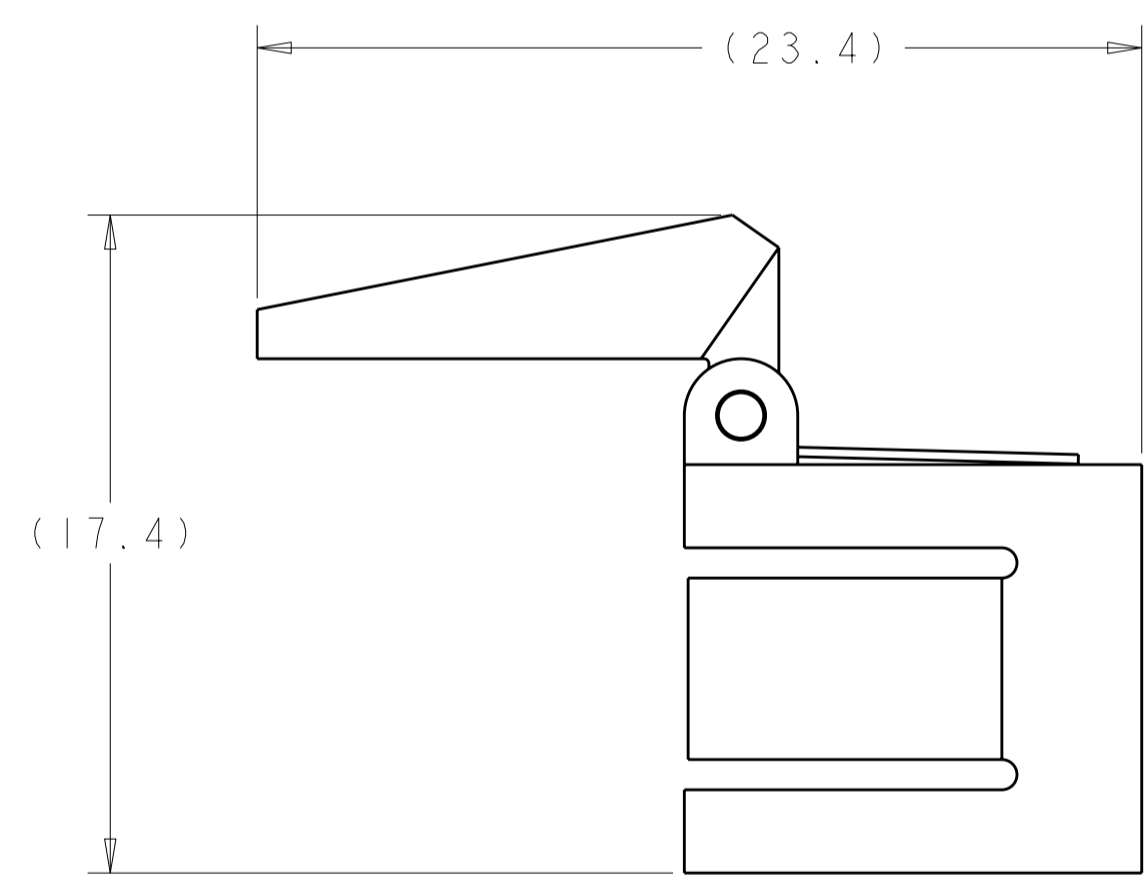
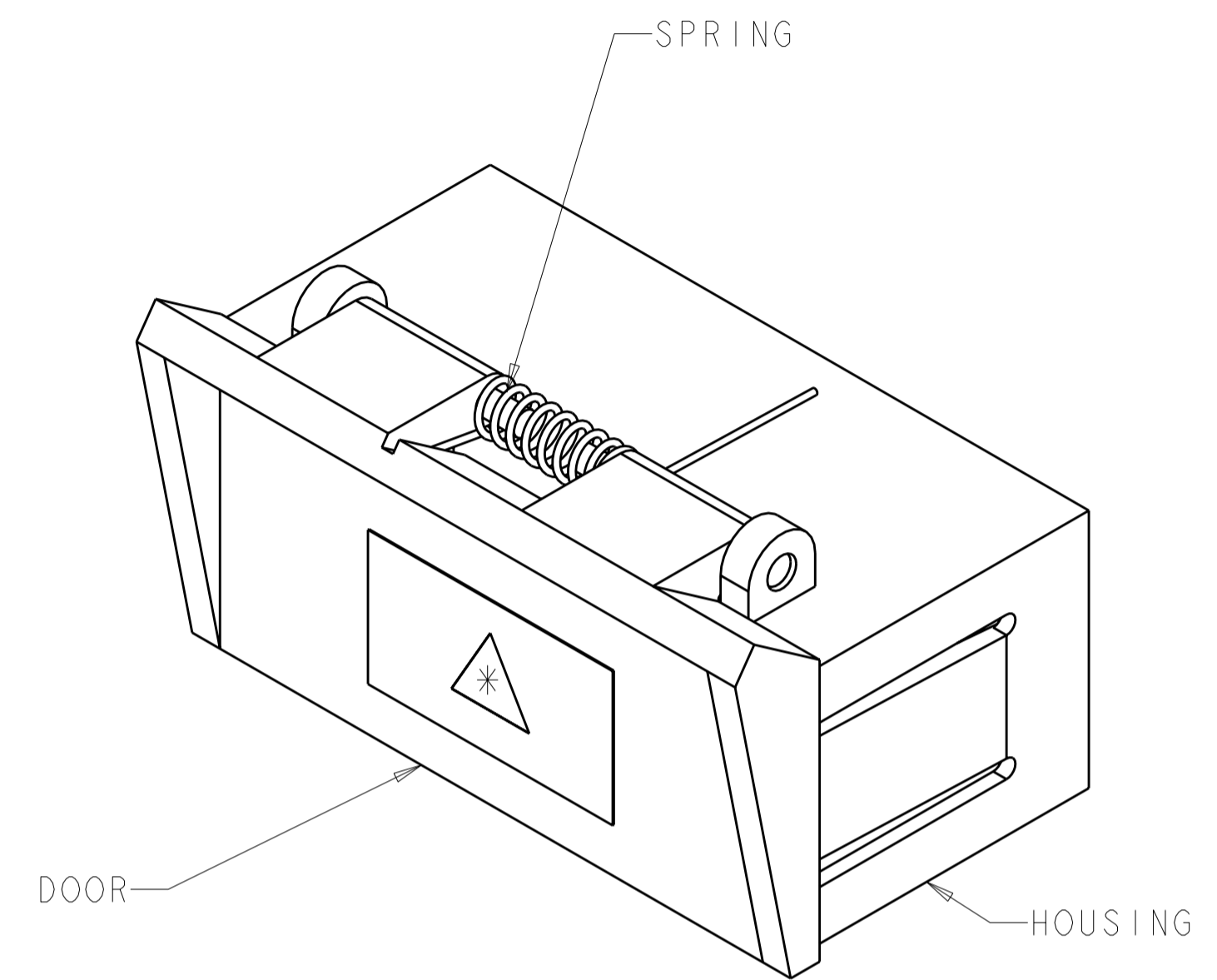
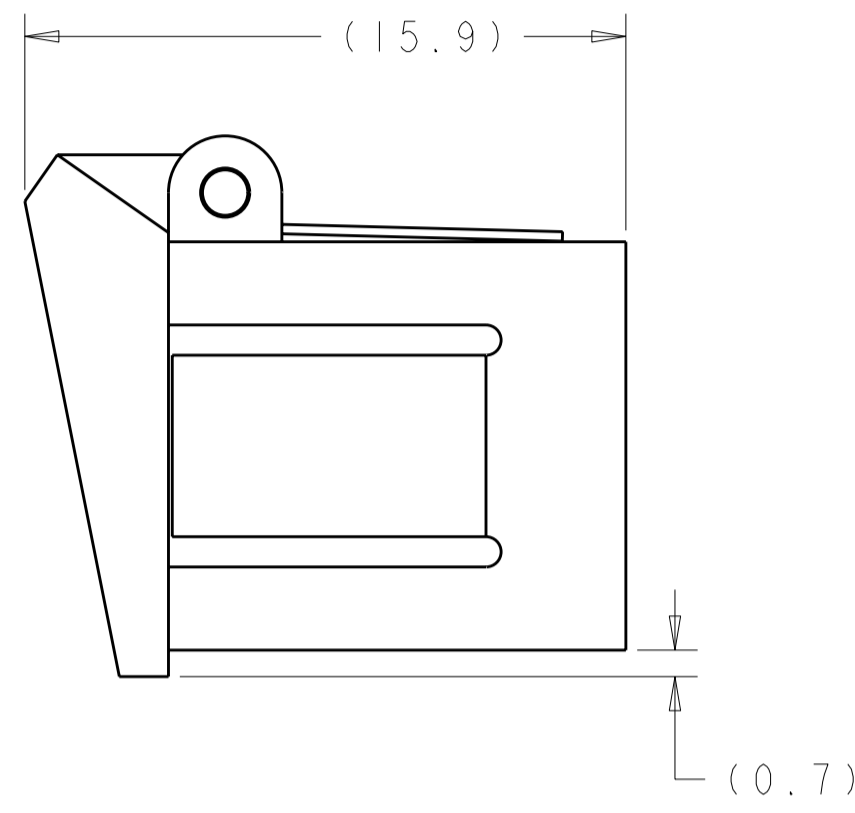
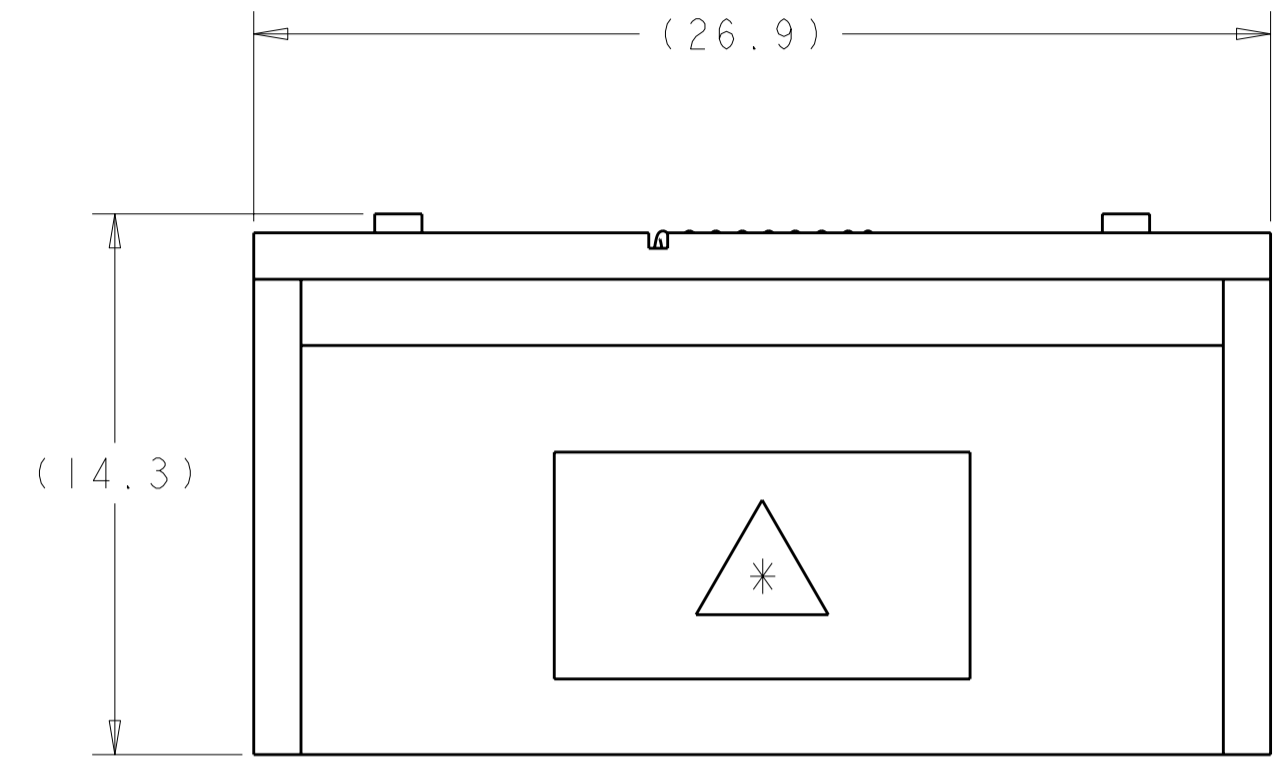


THIS DRAWING IS UNPUBLISHED. RELEASED FOR PUBLICATION 20  
 © COPYRIGHT 20 BY TYCO ELECTRONICS CORPORATION. ALL RIGHTS RESERVED.

LOC		DIST		REVISIONS			
P	LTR	DESCRIPTION	DATE	DWN	APVD		
	A	EC 0A00-0353-03	23JUL2003	EJH	SB		
	B	REVISE PER ECR-08-000308	11JAN2008	BB	SM		
	C	REVISE PER ECR-08-016409	21JUL2008	BB	SM		



**DOOR OPEN VIEW**

⚠ MATERIAL:  
 HOUSING AND DOOR: PBT, UL94 V-0 RATED AT QUALIFYING THICKNESS  
 SPRING: STAINLESS STEEL

GREEN	1693540-3
BEIGE	1693540-2
BLUE	1693540-1
COLOR	PART NUMBER

THIS DRAWING IS A CONTROLLED DOCUMENT FOR TYCO ELECTRONICS CORPORATION. IT IS SUBJECT TO CHANGE AND THE CONTROLLING ENGINEERING ORGANIZATION SHOULD BE CONTACTED FOR THE LATEST REVISION.		DWN MDL 08MAY2003	Tyco Electronics Harrisburg, PA 17105-3608	
DIMENSIONS: mm		CHK MDL 08MAY2003	NAME RETRACTABLE COVER, DUPLEX, SC ADAPTER	
TOLERANCES UNLESS OTHERWISE SPECIFIED:		APVD SB 08MAY2003	SIZE A2 CAGE CODE 00779 C=1693540	
0 PLC ±.15		PRODUCT SPEC -	RESTRICTED TO -	
1 PLC ±0.15		APPLICATION SPEC -	SCALE 5:1 SHEET 1 OF 1 REV C	
2 PLC ±0.08		WEIGHT -		
3 PLC ±0.050		CUSTOMER DRAWING		
4 PLC ±				
ANGLES ±1/2				
FINISH				

## X-ON Electronics

Largest Supplier of Electrical and Electronic Components

*Click to view similar products for [Fiber Optic Connectors](#) category:*

*Click to view products by [TE Connectivity](#) manufacturer:*

Other Similar products are found below :

[0004700001](#) [6100-R](#) [6313](#) [F709034706](#) [F709722200](#) [F718183204](#) [F727403500](#) [F727752800](#) [FCXO-12-3BY](#) [FO-SCREW\(M2X6\)](#) [9440F20-27S-190](#) [944-120-6001](#) [944-125-6003](#) [9441F10SL-3P](#) [9441F10SL-3S](#) [9446F10SL-4S](#) [9446F12S-3S](#) [953-101-5310-P](#) [954-101-57202B](#)  
[A0270169](#) [12-9122](#) [12-5702](#) [143025NC](#) [AX101713](#) [AX102420](#) [AX103923](#) [AX104141](#) [AX104193](#) [AX104228](#) [AX104230](#) [AX104562](#)  
[AX105203-B25](#) [AX105205-S1](#) [EHSC2M](#) [17-300800](#) [181-011-126](#) [BT34IW](#) [HRFCP-HSCJ-1\(61\)](#) [HRFC-R2\(40\)](#) [NKSOPBUY](#) [20500002116](#)  
[2064996-1](#) [20800001065](#) [2170](#) [9132](#) [2612](#) [2620](#) [9291](#) [9440F18-19S](#) [9440F20-14P](#)