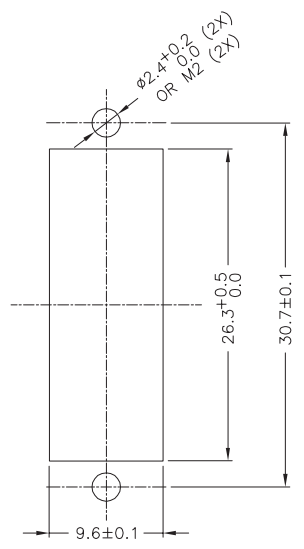
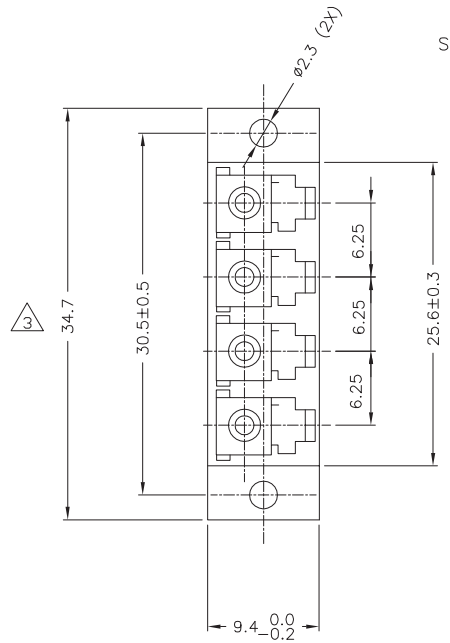
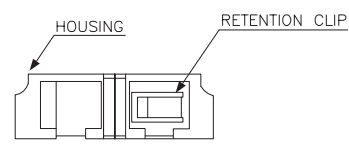


THIS DRAWING IS UNPUBLISHED. RELEASED FOR PUBLICATION
 2016 Commscope, INC. **Confidential** NOTICE: These drawings and specifications are the proprietary property of COMMSCOPE, INC. and may be used only for the specific purpose authorized in writing by COMMSCOPE, INC.

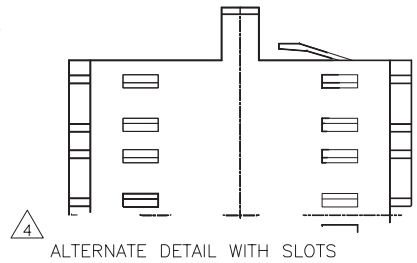
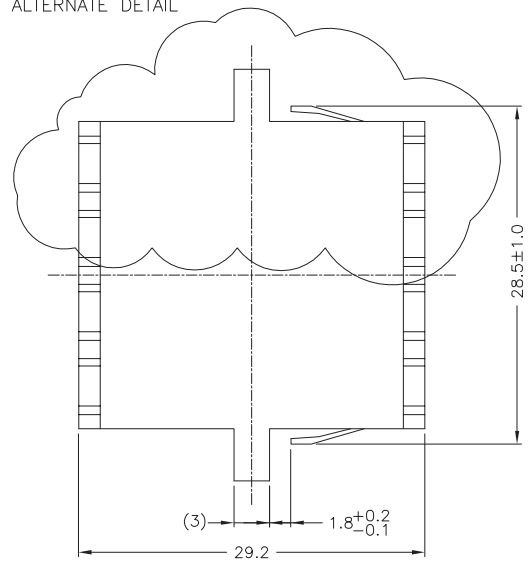
LOC	DIST	REVISIONS			
P	LTR	DESCRIPTION	DATE	OWN	APVD
H		ECN 8000017777-REBRANDING	11-28-16	SC	JV



RECOMMENDED PANEL CUT-OUT
 MAX PANEL THICKNESS 1.7
 (INFORMATIVE REFERENCE)



SEE ALTERNATE DETAIL



- NOTES:
- 1 MATERIAL:
 HOUSING: THERMOPLASTIC, UL 94-V0
 ALIGNMENT SLEEVES: SEE TABLE
 RETENTION CLIP: SST
 - 2 DUST PLUGS ARE SUPPLIED, NOT SHOWN.
 - 3 FLANGELESS VERSION HAS AN OVERALL WIDTH OF 28.5 ±0.5mm
 - 4 ALTERNATE DETAIL WITH SLOTS

SLEEVE MAT'L	HOUSING COLOR	DESCRIPTION	PART NUMBER
CERAMIC	VIOLET	FLANGELESS	1-1695790-5
CERAMIC	VIOLET	FLANGED	1-1695790-4
CERAMIC	BLACK	FLANGED	1-1695790-3
CERAMIC	BLACK	FLANGELESS	1-1695790-2
CERAMIC	AQUA	FLANGELESS	1-1695790-1
CERAMIC	AQUA	FLANGED	1-1695790-0
METAL	AQUA	FLANGED	1695790-9
CERAMIC	BEIGE	FLANGED	1695790-8
METAL	BEIGE	FLANGELESS	1695790-7
CERAMIC	GREEN	FLANGED	1695790-6
METAL	BEIGE	FLANGED	1695790-5
CERAMIC	BLUE	FLANGED	1695790-4
CERAMIC	GREEN	FLANGELESS	1695790-3
CERAMIC	BEIGE	FLANGELESS	1695790-2
CERAMIC	BLUE	FLANGELESS	1695790-1

THIS DRAWING IS A CONTROLLED DOCUMENT. DWN 22 SEP 05
 CHK A GIRIYAPPA M
 30 JUN 06
 A HENGELMOLEN
 APVD A HENGELMOLEN
 30 JUN 06
 NAME
COMMSCOPE, INC.
 FOAC LC QUAD ADAPTER

DIMENSIONS:	TOLERANCES UNLESS OTHERWISE SPECIFIED:	SIZE	CAGE CODE	DRAWING NO	RESTRICTED TO
mm	0 PLC ± -	A2	-	C-1695790	-
	1 PLC ± -	CUSTOMER DRAWING			
	2 PLC ± -	SCALE NTS			
	3 PLC ± -	SHEET 1 of 1			
	4 PLC ± -	REV H			
	ANGLES ± -				
	FINISH				

X-ON Electronics

Largest Supplier of Electrical and Electronic Components

Click to view similar products for [Fibre Optic Connectors](#) category:

Click to view products by [TE Connectivity](#) manufacturer:

Other Similar products are found below :

[0004700001](#) [6100-R](#) [6313](#) [F709034706](#) [F709722200](#) [F709730000](#) [F718183204](#) [F727403500](#) [F727752800](#) [8119](#) [9440F20-27S-190](#) [944-120-6001](#) [9441F10SL-3S](#) [9444W28-21S](#) [9444W36-10S](#) [9446F10SL-4S](#) [9446W20-16S](#) [953-101-5310-P](#) [954-101-57202B](#) [A0270169](#) [12-9122](#) [12-5702](#) [AX101713](#) [AX102420](#) [AX103923](#) [AX104024](#) [AX104193](#) [AX104230](#) [AX104498](#) [AX104562](#) [AX105203-B25](#) [AX105205-S1](#) [EHSC2M](#) [181-011-126](#) [181-011-S](#) [181-057-126](#) [HRFC-R2\(40\)](#) [NKSOPBUY](#) [20500002116](#) [2064996-1](#) [20800001065](#) [2170](#) [9132](#) [2612](#) [2620](#) [9291](#) [9440F16-10S](#) [9440F20-18S](#) [9442W14S-10P](#) [9446F16-10S-190](#)