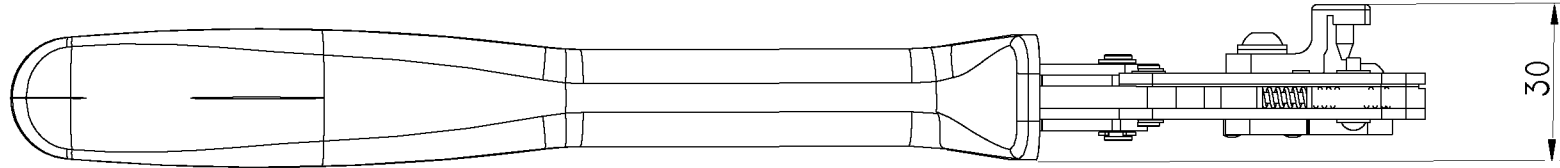
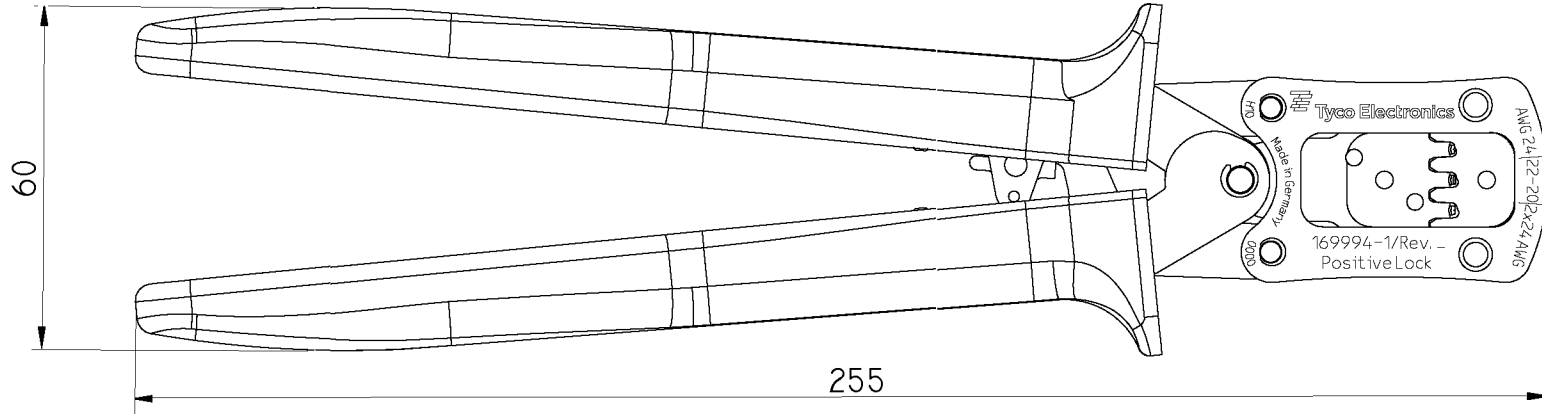


# HAND TOOL POSITIVE LOCK 4.8 mm



| Contacts | Wire Size | Wire Crimp      | Insul. $\phi$ | Instr. Sheet |
|----------|-----------|-----------------|---------------|--------------|
| TE PN    | AWG       | Crimp Height mm | mm            |              |
| 170330   | 24        | 0.99 $\pm$ 0.05 | 0.9           | 411-19285    |
| 170330   | 20-22     | 1.08 $\pm$ 0.05 | 1.05 - 1.3    |              |
| 170330   | 2 x 24    | 1.08 $\pm$ 0.05 | 2 x 0.9       |              |

Handzange PN 169994-1 wie gezeichnet  
Hand Tool PN 169994-1 as shown

| LOC | DIST | REVISIONS   |               |           |      |    |
|-----|------|-------------|---------------|-----------|------|----|
| P   | LTR  | DESCRIPTION | DATE          | DWN       | APVD |    |
| A1  | -    | B           | ECR-10-016820 | 20AUG2010 | wi   | wi |

|  |  |                       |                       |  |                        |
|--|--|-----------------------|-----------------------|--|------------------------|
| <small>THIS DRAWING IS A CONTROLLED DOCUMENT FOR TYCO ELECTRONICS CORPORATION. IT IS SUBJECT TO CHANGE AND THE CONTROLLING ENGINEERING ORGANIZATION SHOULD BE CONTACTED FOR THE LATEST REVISION.</small> |  | DWN<br><b>C. Witt</b> | 20AUG2010             | Tyco Electronics AMP GmbH<br>64625 Bensheim (Germany)                                  |                        |
| DIMENSIONS:<br>mm<br>  |  | CHK<br>-              | APVD<br>-             | NAME<br><b>HAND TOOL POSITIVE LOCK 4.8 mm</b><br><b>Handzange Positive Lock 4.8 mm</b> |                        |
| TOLERANCES UNLESS OTHERWISE SPECIFIED:<br>0 PLC $\pm$<br>1 PLC $\pm$<br>2 PLC $\pm$<br>3 PLC $\pm$<br>4 PLC $\pm$<br>ANGLES $\pm$  |  | PRODUCT SPEC<br>-     | APPLICATION SPEC<br>- | SIZE<br>A3   | RESTRICTED TO<br>-     |
| MATERIAL<br>-  |  | FINISH<br>-           | WEIGHT<br>400 g       | CAGE CODE<br>00779   | DRAWING NO<br>C=169994 |
| CUSTOMER DRAWING   |  |                       | SCALE<br>1:1          | SHEET<br>1 OF 1  | REV<br>B               |

## X-ON Electronics

Largest Supplier of Electrical and Electronic Components

*Click to view similar products for [TE Connectivity](#) manufacturer:*

Other Similar products are found below :

[D38999/24FJ4AN](#) [570416-000](#) [CLTEQ-M81CE-SSRELAY-4-20V](#) [4-1195131-0](#) [650069-000](#) [SMD100-2](#) [358838-000](#) [CB-1022B-78](#)  
[RM707012](#) [RP410012](#) [MMS42](#) [1-640426-8](#) [2EDL4CM](#) [DTS20W19-11PD-3028-LC](#) [RM202615](#) [NC6-P104-06](#) [MSPS103B](#) [DTS26F21-](#)  
[41HE-LC](#) [DTS26F21-41AE](#) [DTS26F21-41PE-LC](#) [DTS26F21-11SE-3028-LC](#) [30DCB6](#) [1932144-1](#) [293545-4](#) [LVR125S](#) [MS27466T25F4PB](#)  
[CKB-38-78010](#) [TR04AI-TINELLOCKRING](#) [1206SFF150F/63-2](#) [D38999/20JB35HA](#) [TE1500A2R2J](#) [D38999/20WC8BB](#) [DTS24F19-11SC-](#)  
[3028-LC](#) [D38999/24WG11HA](#) [D38999/24WG11HN](#) [MS27467T21F11H](#) [DJT16E21-11HA](#) [MS27467T21F35J](#) [MS27467T21F11J](#)  
[MS27467T21F16H-LC](#) [MS27467T21F35H](#) [MS27467T21F41H-LC](#) [1206SFH150F/24-2](#) [RP330024](#) [DJT16E21-11PA-LC](#) [DJT16E21-11HA-](#)  
[LC](#) [DJT16E21-11AA](#) [MS27467T21B11JA](#) [DJT16E21-11JA](#) [MS27467T21B11JA-LC](#)