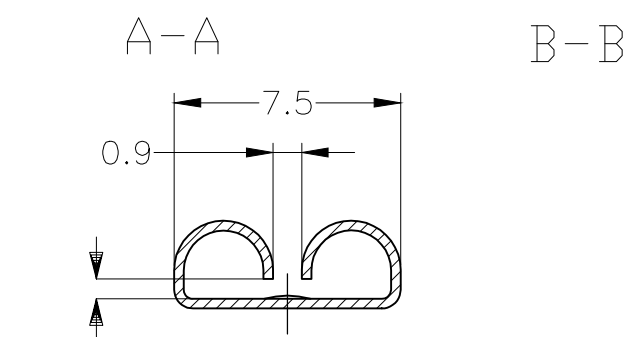
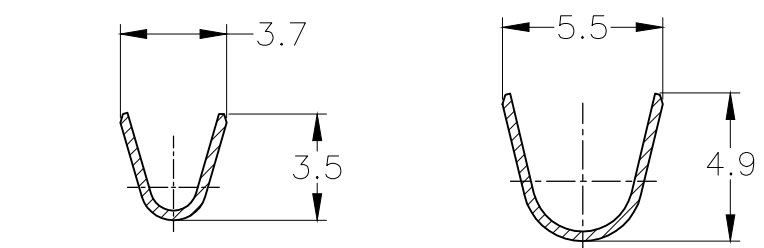
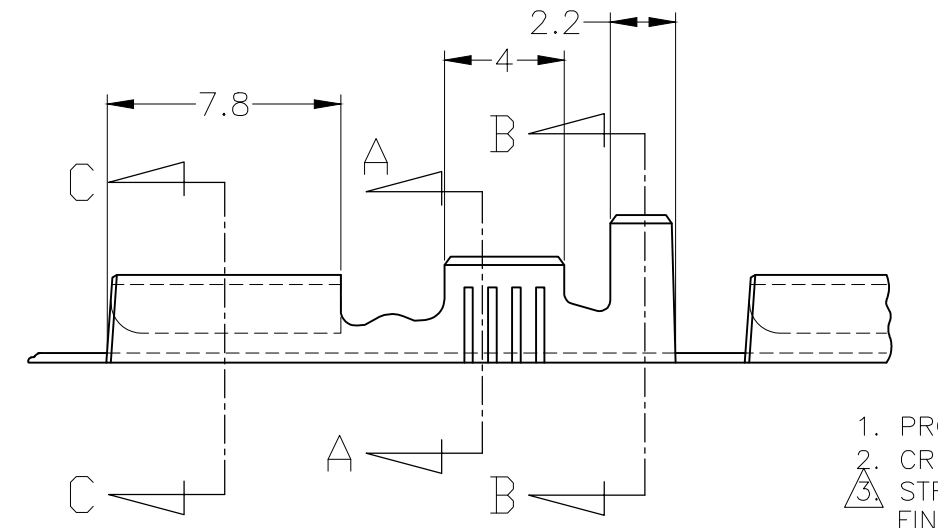
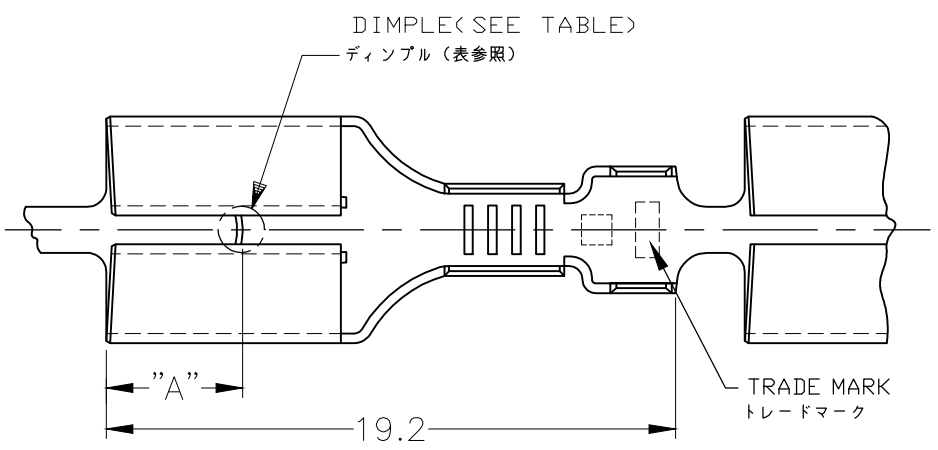
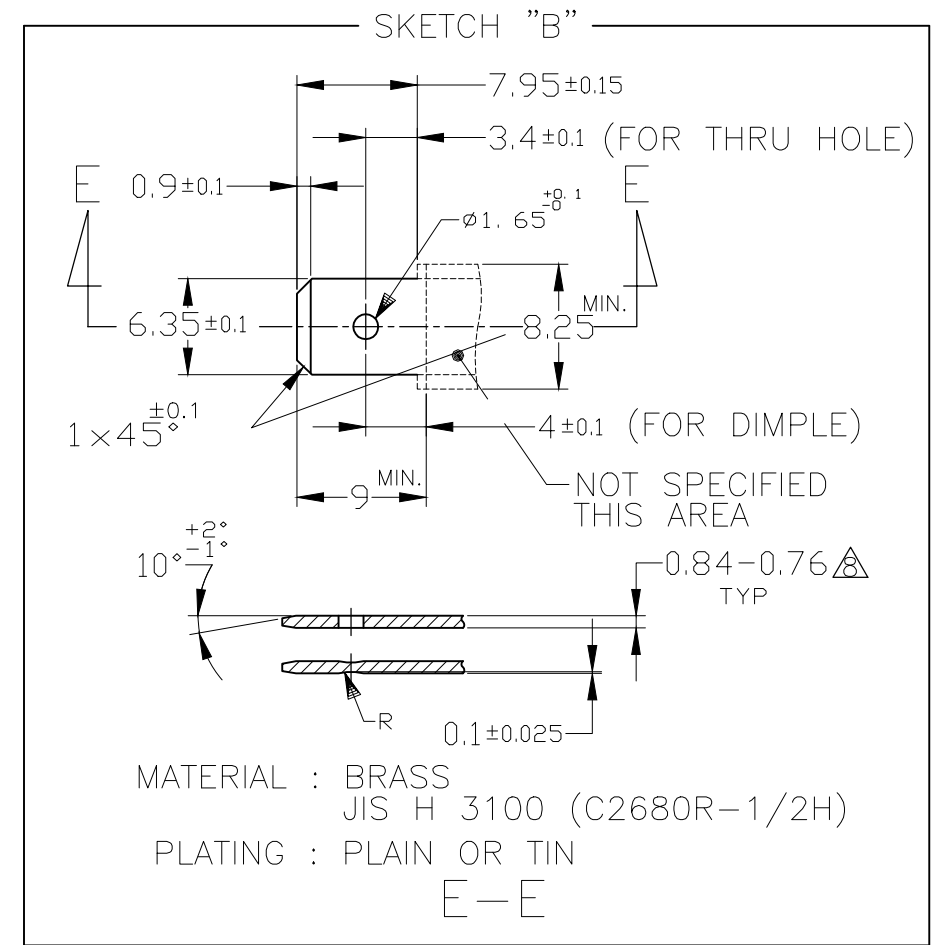
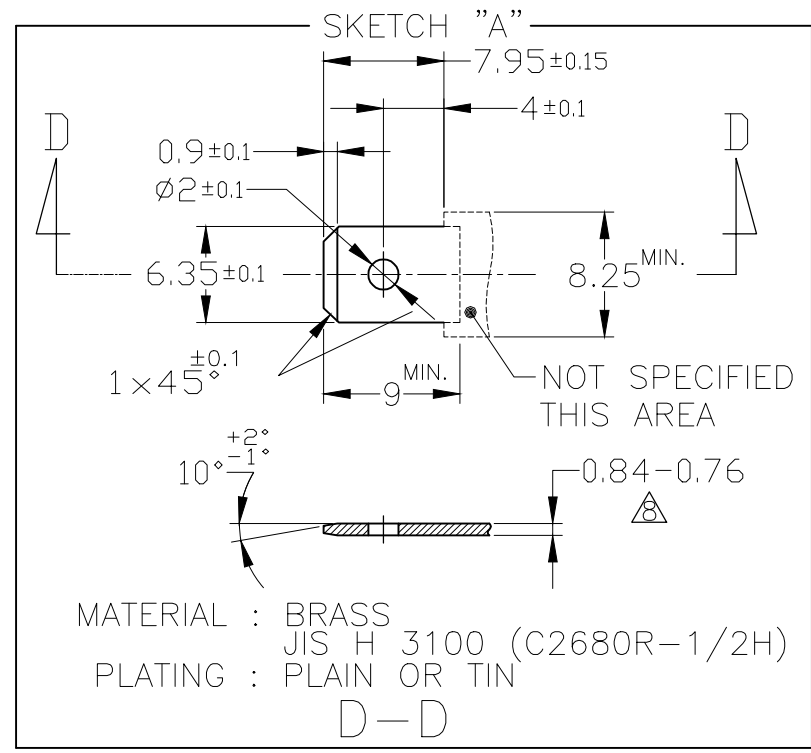


THIS DRAWING IS UNPUBLISHED. RELEASED FOR PUBLICATION
 © COPYRIGHT 2004 By - ALL RIGHTS RESERVED.

LOC	DIST	REVISIONS		
J	-	P	LTR	DESCRIPTION
				DATE
				DWN
				APVD
		U3		REVISED PER ECR-16-015552
		U4		REVISED PER ECR-20-009164



推奨タブ図
 RECOMMENDED TAB DIMENSIONS



1. PRODUCT SPEC : 108-5153, 108-5169
2. CRIMP SPEC : 114-5052
3. STRESS RELIEVING FINISH IS SUBJECT TO CHANGE BY THE TYPE OF STRESS RELIVING PROCESS
 INERT GAS FURNACE - - - -MATTE
 ATOMOSPHERIC FURNACE FOLLOWED BY ACID PICKLE - - - -BRIGHT
4. ELIMINATION STRESS RELIVING PROCESS
5. PRODUCT SPECIFICATION: 108-5147
6. QUALIFICATION TEST REPORT: 501-5050

△ SEPARATE PAPER TYPE
 △ MATING TAB THICKNESS IS 0.84-0.76

1. 製品規格 : 108-5153, 108-5169
2. 取付適用規格 : 114-5052
3. ストレス除去処理
 処理方法により外観が変わります。
 不活性ガス加熱方式 - - - 無光沢
 大気加熱方式 - - - 光沢
4. ストレス除去処理をしない。
5. 製品規格 : 108-5147
6. 認定試験報告書 : 501-5050

OBSOLETE AMP AUSTRALIAN PRODUCT
 アンプ オーストラリア製

OBSOLETE SKETCH "A" OR "B"

170030-1 OR EQUIVALENT TO 170030	W/O DIMPLE	---	BRASS	---	---	8-170032-7
170256-3 OR EQUIVALENT TO 170256	W/O DIMPLE	TIN PLATING	BRASS	---	179461-5	6-170032-5
170030-1 OR EQUIVALENT TO 170030	W/O DIMPLE	△	BRASS	---	---	6-170032-2
170030-3 OR EQUIVALENT TO 170030	W/O DIMPLE	TIN PLATING 錫メッキ	ZKLF-5 #4	---	---	170032-6
170256-3 OR EQUIVALENT TO 170256	W/O DIMPLE	TIN PLATING 錫メッキ	BRASS	---	179461-5	170032-5
SKETCH, "A"	WITH DIMPLE	TIN PLATING 錫メッキ	BRASS	4.5	---	170032-4
OBSOLETE SKETCH "A" OR "B"	WITH DIMPLE	---	BRASS	3.8	---	170032-3
170030-1 OR EQUIVALENT TO 170030	W/O DIMPLE	---	BRASS	---	---	170032-2
SKETCH, "A"	WITH DIMPLE	---	BRASS	4.5	---	170032-1
MATING TAB	DIMPLE	FINISH	MATERIAL	"A"	LOOSE PIECE NUMBER	PART NUMBER

THIS DRAWING IS A CONTROLLED DOCUMENT.

DWN A.YAMAGUCHI 23JUN04
 CHK K.BETSUI 19SEP2015
 APVD K.BETSUI 23JUN04
 PRODUCT SPEC 製品規格
 APPLICATION SPEC 取付適用規格
 WEIGHT

STE TE Connectivity

250 SERIES RECEPTACLE WITHOUT LATCH

SIZE A3 CAGE CODE 00779 DRAWING NO. C-170032 RESTRICTED TO

SCALE 4:1 SHEET 1 OF 1 REV U4

WIRE RANGE 0.5-2.27mm²(AWG20-14)
 INSULATION DIA. 2.16~3.43mmφ

MATERIAL 0.32 THK
 FINISH 仕上
 SEE TABLE △

DIMENSIONS: 単位: 概 mm
 TOLERANCES UNLESS OTHERWISE SPECIFIED: 一般公差 ±0.4
 0-PLC ±
 1-PLC ±
 2-PLC ±
 3-PLC ±
 4-PLC ±
 ANGLES ±3°

X-ON Electronics

Largest Supplier of Electrical and Electronic Components

Click to view similar products for [Terminals](#) category:

Click to view products by [TE Connectivity](#) manufacturer:

Other Similar products are found below :

[00-054007-01074-6](#) [00-054007-70206-1](#) [00-054007-70210-8](#) [00-054007-70217-7](#) [00-054007-70226-9](#) [00-054007-70228-3](#) [00-054007-70248-1](#) [00-054007-70256-6](#) [00-054007-70301-3](#) [00-054007-70316-7](#) [00-054007-49560-4](#) [00-054007-70209-2](#) [00-054007-70225-2](#) [00-054007-70227-6](#) [00-054007-70231-3](#) [00-054007-70241-2](#) [00-054007-70242-9](#) [00-054007-70244-3](#) [00-054007-70246-7](#) [00-054007-70263-4](#) [00-054007-70288-7](#) [00-054007-70290-0](#) [00-054007-70300-6](#) [00-054007-70304-4](#) [01-2065-1-0216](#) [01-2900-1-04412](#) [00581P0075](#) [600TS-10](#) [60205-1](#) [604200-1](#) [605601-1](#) [60598-1-CUT-TAPE](#) [61314-6-C](#) [61810-3](#) [61-S](#) [61-SN](#) [626-0194](#) [62-NBM-A](#) [62-SN](#) [62-SP](#) [63-S](#) [640179-1](#) [M55155/059I03](#) [M55155/079C01](#) [M55155/099H02](#) [M55155/109H01](#) [M55155/109H02](#) [M55155/12XH05](#) [M55155/16XH02](#) [M55155/29-5S](#)