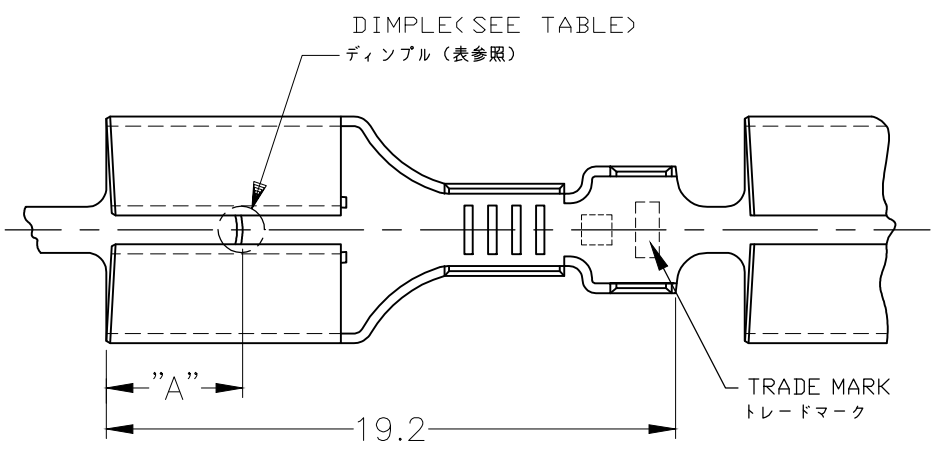
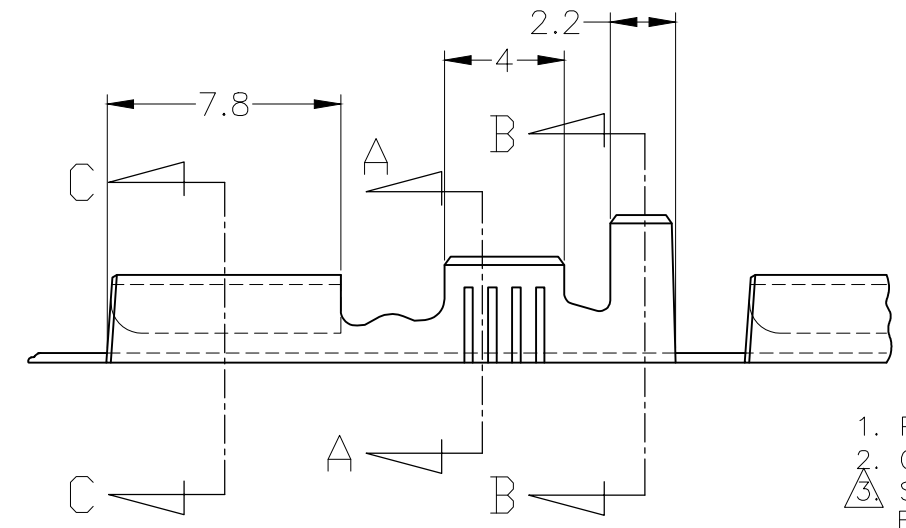
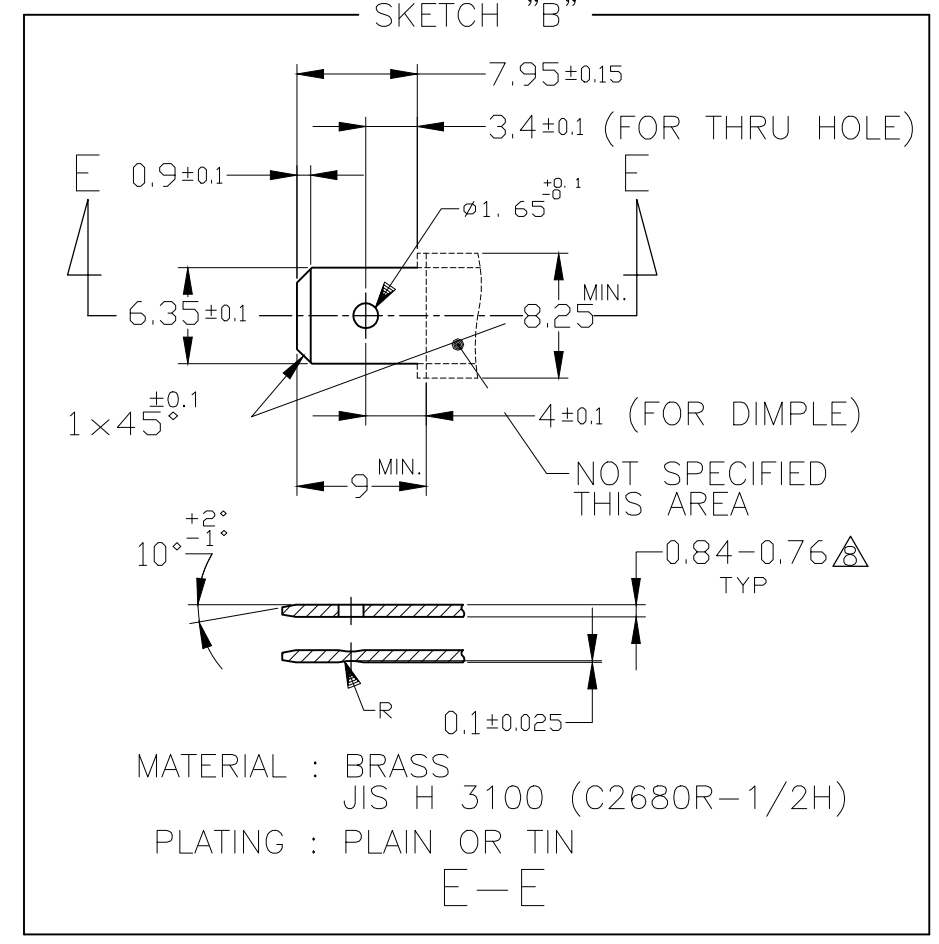
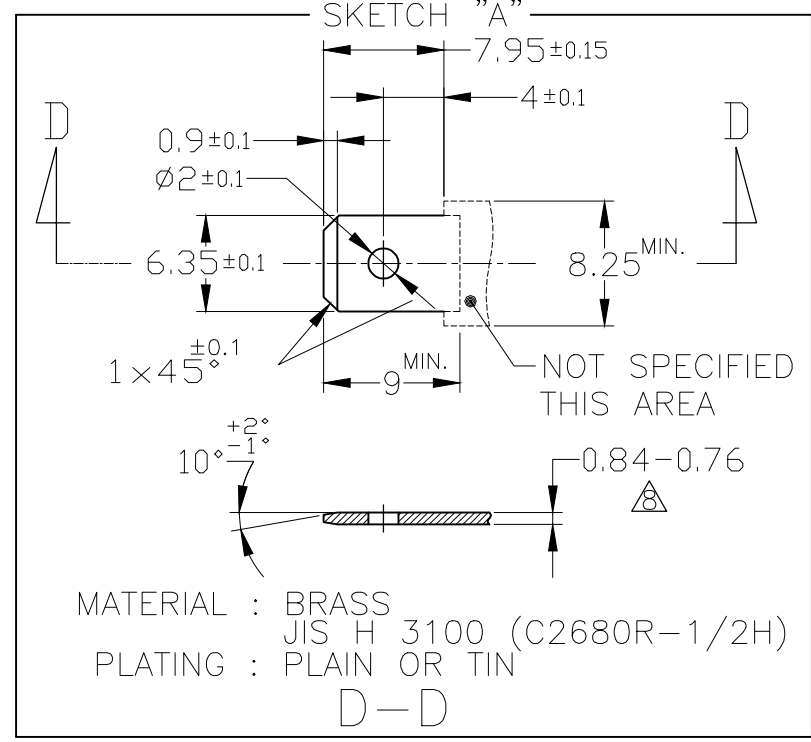


THIS DRAWING IS UNPUBLISHED. RELEASED FOR PUBLICATION
 © COPYRIGHT 2004 By - ALL RIGHTS RESERVED.

LOC	DIST	REVISIONS					
J	-	P	LTR	DESCRIPTION	DATE	DWN	APVD
			U3	REVISED PER ECR-16-015552	3NOV2016	D.L	T.D
			U4	REVISED PER ECR-20-009164	11AUG2020	MK	E.W



推奨タブ図
RECOMMENDED TAB DIMENSIONS



1. PRODUCT SPEC : 108-5153, 108-5169
2. CRIMP SPEC : 114-5052
3. STRESS RELIEVING FINISH IS SUBJECT TO CHANGE BY THE TYPE OF STRESS RELIVING PROCESS
INERT GAS FURNACE - - - -MATTE
ATOMOSPHERIC FURNACE FOLLOWED BY ACID PICKLE - - - -BRIGHT
4. ELIMINATION STRESS RELIVING PROCESS
5. PRODUCT SPECIFICATION: 108-5147
6. QUALIFICATION TEST REPORT: 501-5050

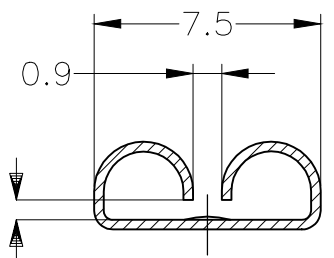
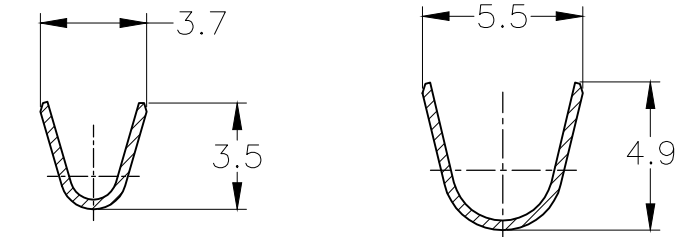
△ SEPARATE PAPER TYPE
 △ MATING TAB THICKNESS IS 0.84-0.76

1. 製品規格 : 108-5153, 108-5169
2. 取付適用規格 : 114-5052
3. ストレス除去処理
処理方法により外観が変わります。
不活性ガス加熱方式 - - - 無光沢
大気加熱方式 - - - 光沢
4. ストレス除去処理をしない。
5. 製品規格 : 108-5147
6. 認定試験報告書 : 501-5050

OBSOLETE AMP AUSTRALIAN PRODUCT
アンプ オーストラリア製

OBSOLETE SKETCH "A" OR "B"

170030-1 OR EQUIVALENT TO 170030	W/O DIMPLE	---	BRASS	---	---	8-170032-7
170256-3 OR EQUIVALENT TO 170256	W/O DIMPLE	TIN PLATING	BRASS	---	179461-5	6-170032-5
170030-1 OR EQUIVALENT TO 170030	W/O DIMPLE	△	BRASS	---	---	6-170032-2
170030-3 OR EQUIVALENT TO 170030	W/O DIMPLE	TIN PLATING 錫メッキ	ZKLF-5 #4	---	---	170032-6
170256-3 OR EQUIVALENT TO 170256	W/O DIMPLE	TIN PLATING 錫メッキ	BRASS	---	179461-5	170032-5
SKETCH, "A"	WITH DIMPLE	TIN PLATING 錫メッキ	BRASS	4.5	---	170032-4
OBSOLETE SKETCH "A" OR "B"	WITH DIMPLE	---	BRASS	3.8	---	170032-3
170030-1 OR EQUIVALENT TO 170030	W/O DIMPLE	---	BRASS	---	---	170032-2
SKETCH, "A"	WITH DIMPLE	---	BRASS	4.5	---	170032-1
MATING TAB	DIMPLE	FINISH	MATERIAL	"A"	LOOSE PIECE NUMBER	PART NUMBER



この寸法は嵌合力によって管理する。
THIS DIMENSION IS CONTROLLED WITH MATING FORCE AND 0.71 MAX

THIS DRAWING IS A CONTROLLED DOCUMENT.

DIMENSIONS: 単位: 概 mm	TOLERANCES UNLESS OTHERWISE SPECIFIED: 一般公差 ±0.4
	0-PLC ± 1-PLC ± 2-PLC ± 3-PLC ± 4-PLC ±
	ANGLES ±3°
	FINISH 仕上

WIRE RANGE 0.5-2.27mm ² (AWG20-14)	MATERIAL 材料 0.32 THK
INSULATION DIA. 2.16~3.43mmφ	

DWN A.YAMAGUCHI 23JUN04	CHK K.BETSUI 19SEP2015	APVD K.BETSUI 23JUN04
PRODUCT SPEC 製品規格 SEE NOTE		
APPLICATION SPEC 取付適用規格		
WEIGHT	SIZE A3	CAGE CODE 00779

TE Connectivity			
250 SERIES RECEPTACLE WITHOUT LATCH			
NAME 名称	DRAWING NO 番号	RESTRICTED TO	
	G-170032	-	

CUSTOMER DRAWING	SCALE 尺度 4:1	SHEET 1 OF 1	REV U4
------------------	-----------------	-----------------	-----------

X-ON Electronics

Largest Supplier of Electrical and Electronic Components

Click to view similar products for [Terminals](#) category:

Click to view products by [TE Connectivity](#) manufacturer:

Other Similar products are found below :

[00-054007-01074-6](#) [00-054007-70206-1](#) [00-054007-70210-8](#) [00-054007-70217-7](#) [00-054007-70226-9](#) [00-054007-70228-3](#) [00-054007-70248-1](#) [00-054007-70256-6](#) [00-054007-70301-3](#) [00-054007-70316-7](#) [0-0320562-0](#) [00-054007-49560-4](#) [00-054007-70209-2](#) [00-054007-70225-2](#) [00-054007-70227-6](#) [00-054007-70231-3](#) [00-054007-70241-2](#) [00-054007-70242-9](#) [00-054007-70244-3](#) [00-054007-70246-7](#) [00-054007-70263-4](#) [00-054007-70288-7](#) [00-054007-70290-0](#) [00-054007-70300-6](#) [00-054007-70304-4](#) [01-2065-1-0216](#) [01-2900-1-04412](#) [00581P0075](#) [600TS-10](#) [60205-1](#) [604200-1](#) [605601-1](#) [60598-1-CUT-TAPE](#) [61314-6-C](#) [61810-3](#) [61-S](#) [61-SN](#) [626-0194](#) [62-NBM-A](#) [62-SN](#) [62-SP](#) [63-S](#) [640179-1](#) [M55155/059I03](#) [M55155/079C01](#) [M55155/099H02](#) [M55155/109H01](#) [M55155/109H02](#) [M55155/12XH05](#) [M55155/16XH02](#)