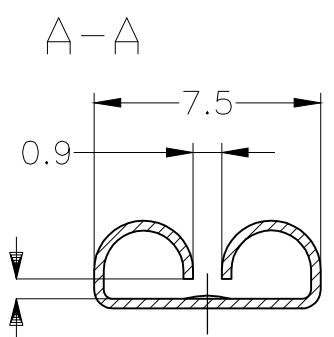
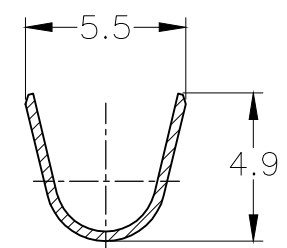
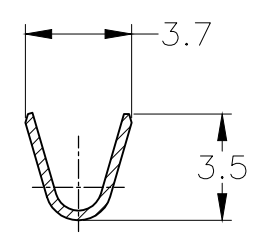
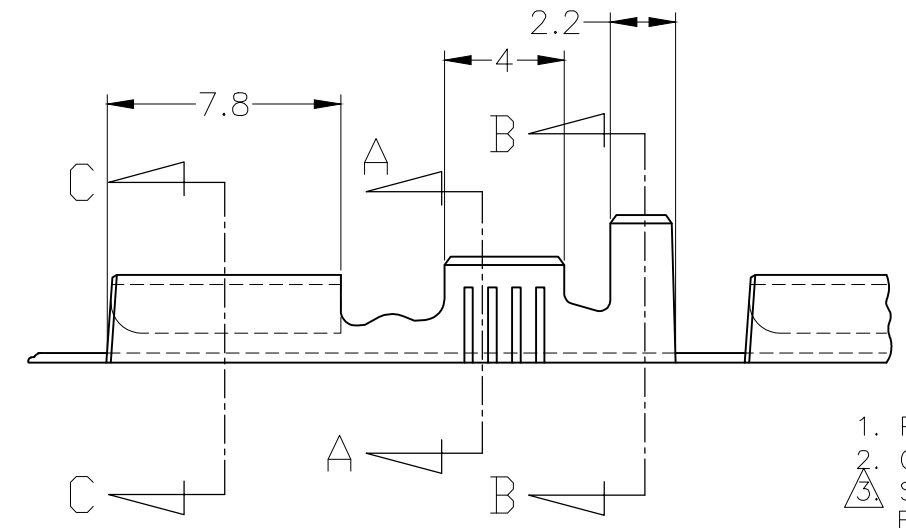
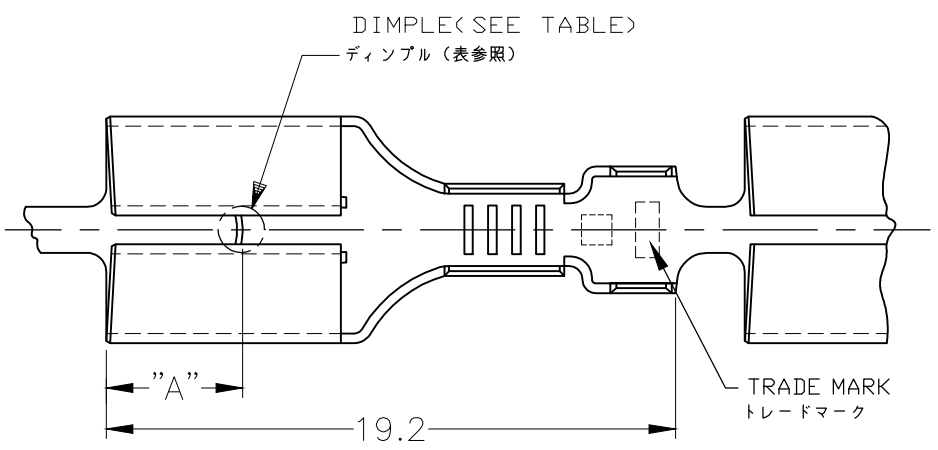


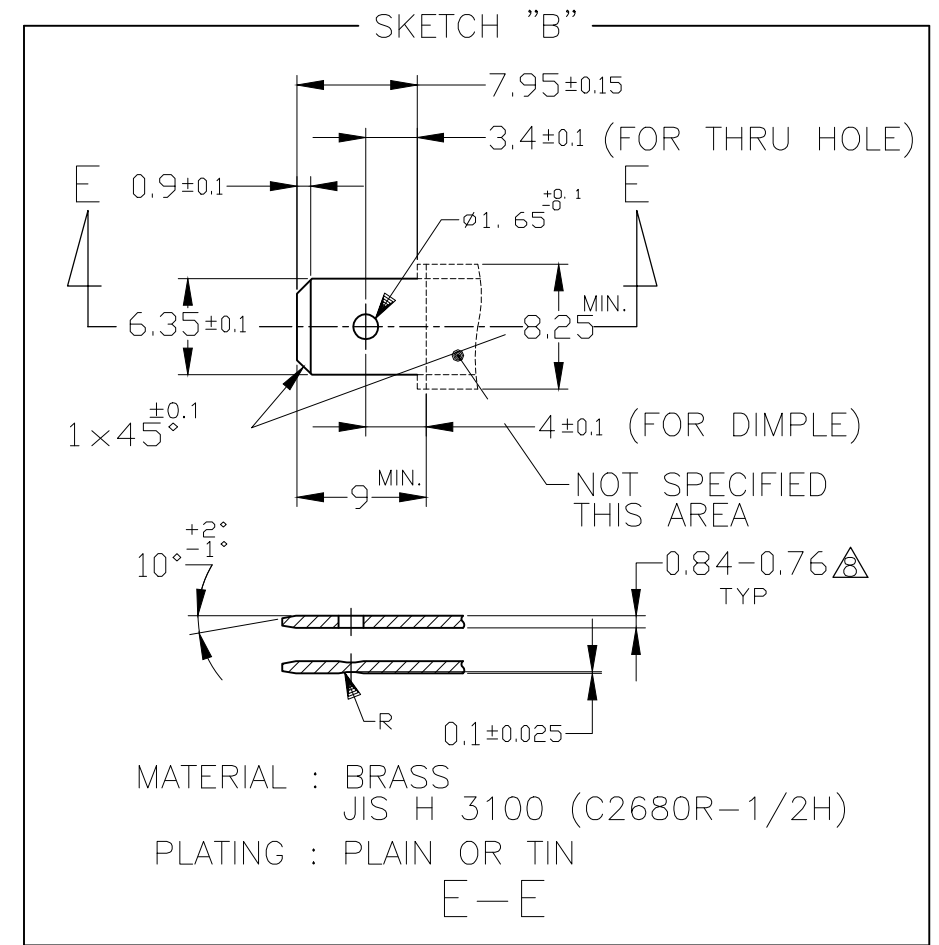
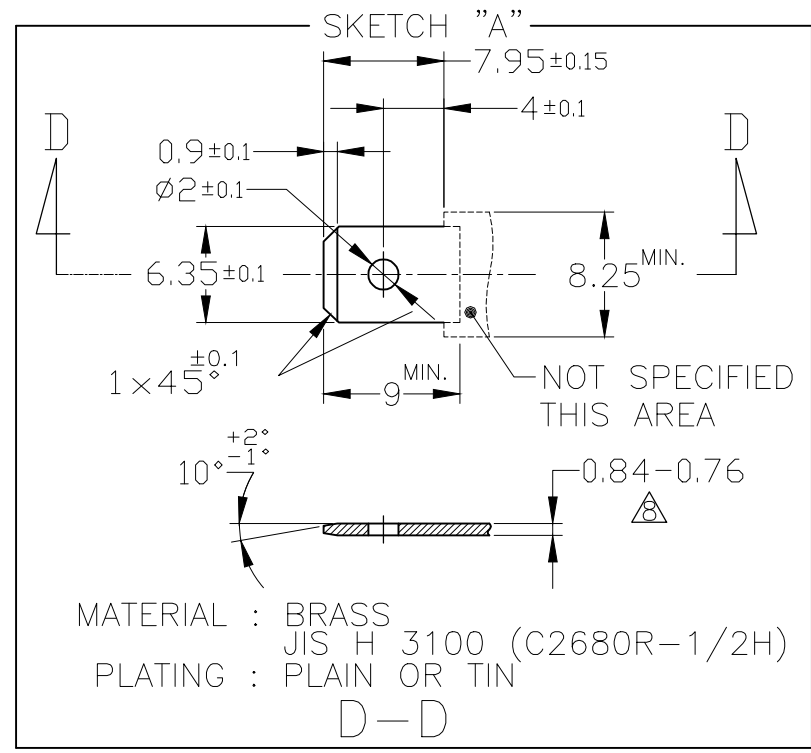
THIS DRAWING IS UNPUBLISHED. RELEASED FOR PUBLICATION
 © COPYRIGHT 2004 By - ALL RIGHTS RESERVED.

LOC	DIST	REVISIONS					
J	-	P	LTR	DESCRIPTION	DATE	DWN	APVD
			U3	REVISED PER ECR-16-015552	3NOV2016	D.L	T.D
			U4	REVISED PER ECR-20-009164	11AUG2020	MK	E.W



この寸法は嵌合力によって管理する。
 THIS DIMENSION IS CONTROLLED WITH MATING FORCE AND 0.71 MAX

推奨タブ図 RECOMMENDED TAB DIMENSIONS



- PRODUCT SPEC : 108-5153, 108-5169
- CRIMP SPEC : 114-5052
- STRESS RELIEVING FINISH IS SUBJECT TO CHANGE BY THE TYPE OF STRESS RELIVING PROCESS
 INERT GAS FURNACE - - - -MATTE
 ATMOSPHERIC FURNACE FOLLOWED BY ACID PICKLE - - - -BRIGHT
- ELIMINATION STRESS RELIVING PROCESS
- PRODUCT SPECIFICATION: 108-5147
- QUALIFICATION TEST REPORT: 501-5050

OBSOLETE AMP AUSTRALIAN PRODUCT
 アンプ オーストラリア製

- SEPARATE PAPER TYPE
- MATING TAB THICKNESS IS 0.84-0.76

- 製品規格 : 108-5153, 108-5169
- 取付適用規格 : 114-5052
- ストレス除去処理
 処理方法により外観が変わります。
 不活性ガス加熱方式 - - - 無光沢
 大気加熱方式 - - - 光沢
- ストレス除去処理をしない。
- 製品規格 : 108-5147
- 認定試験報告書 : 501-5050

170030-1 OR EQUIVALENT TO 170030	W/O DIMPLE	---	BRASS	---	---	8-170032-7
170256-3 OR EQUIVALENT TO 170256	W/O DIMPLE	TIN PLATING	BRASS	---	179461-5	6-170032-5
170030-1 OR EQUIVALENT TO 170030	W/O DIMPLE	△	BRASS	---	---	6-170032-2
170030-3 OR EQUIVALENT TO 170030	W/O DIMPLE	TIN PLATING 錫メッキ	ZKLF-5 #4	---	---	170032-6
170256-3 OR EQUIVALENT TO 170256	W/O DIMPLE	TIN PLATING 錫メッキ	BRASS	---	179461-5	170032-5
SKETCH, "A"	WITH DIMPLE	TIN PLATING 錫メッキ	BRASS	4.5	---	170032-4
OBSOLETE SKETCH "A" OR "B"	WITH DIMPLE	---	BRASS	3.8	---	170032-3
170030-1 OR EQUIVALENT TO 170030	W/O DIMPLE	---	BRASS	---	---	170032-2
SKETCH, "A"	WITH DIMPLE	---	BRASS	4.5	---	170032-1
MATING TAB	DIMPLE	FINISH	MATERIAL	"A"	LOOSE PIECE NUMBER	PART NUMBER

THIS DRAWING IS A CONTROLLED DOCUMENT.

DWN A.YAMAGUCHI 23JUN04
 CHK K.BETSUI 19SEP2015
 APVD K.BETSUI 23JUN04

NAME 250 SERIES RECEPTACLE WITHOUT LATCH
 PRODUCT SPEC 製品規格
 APPLICATION SPEC 取付適用規格

SCALE 4:1 SHEET 1 OF 1 REV U4

WIRE RANGE 0.5-2.27mm²(AWG20-14)
 INSULATION DIA. 2.16~3.43mmφ

MATERIAL 0.32 THK
 FINISH 仕上

SEE NOTE

SIZE A3 CAGE CODE 00779 DRAWING NO G-170032

X-ON Electronics

Largest Supplier of Electrical and Electronic Components

Click to view similar products for [Terminals](#) category:

Click to view products by [TE Connectivity](#) manufacturer:

Other Similar products are found below :

[00-054007-01074-6](#) [00-054007-70206-1](#) [00-054007-70210-8](#) [00-054007-70217-7](#) [00-054007-70226-9](#) [00-054007-70228-3](#) [00-054007-70248-1](#) [00-054007-70256-6](#) [00-054007-70301-3](#) [00-054007-70316-7](#) [0-0320562-0](#) [00-054007-49560-4](#) [00-054007-70209-2](#) [00-054007-70225-2](#) [00-054007-70227-6](#) [00-054007-70231-3](#) [00-054007-70241-2](#) [00-054007-70242-9](#) [00-054007-70244-3](#) [00-054007-70246-7](#) [00-054007-70263-4](#) [00-054007-70288-7](#) [00-054007-70290-0](#) [00-054007-70300-6](#) [00-054007-70304-4](#) [01-2065-1-0216](#) [01-2900-1-04412](#) [00581P0075](#) [600TS-10](#) [60205-1](#) [604200-1](#) [605601-1](#) [60598-1-CUT-TAPE](#) [61314-6-C](#) [61810-3](#) [61-S](#) [61-SN](#) [626-0194](#) [62-NBM-A](#) [62-SN](#) [62-SP](#) [63-S](#) [640179-1](#) [M55155/059I03](#) [M55155/079C01](#) [M55155/099H02](#) [M55155/109H01](#) [M55155/109H02](#) [M55155/12XH05](#) [M55155/16XH02](#)