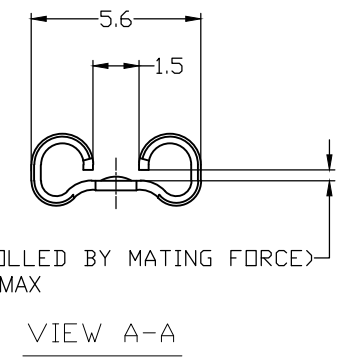
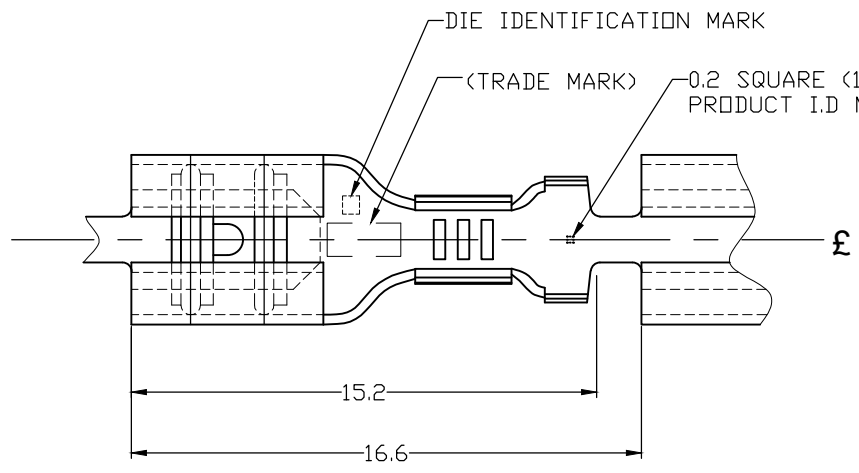


THIS DRAWING IS UNPUBLISHED. RELEASED FOR PUBLICATION
 © COPYRIGHT - By - ALL RIGHTS RESERVED.

LOC	DIST	REVISIONS					
		P	LTR	DESCRIPTION	DATE	DWN	APVD
J	-	#	L2	REVISED PER ECR-20-009164	14AUG2020	MK	DH



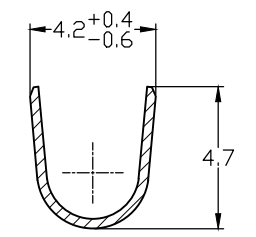
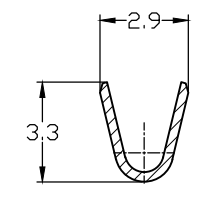
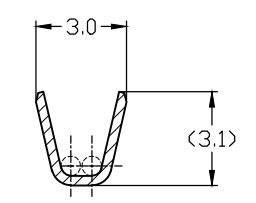
NOTE:

1. MATING TAB THICKNESS IS 0.53-0.48

2. STRESS RELIEVING

FINISH IS SUBJECT TO CHANGE BY THE TYPE OF STRESS RELIEVING PROCESS

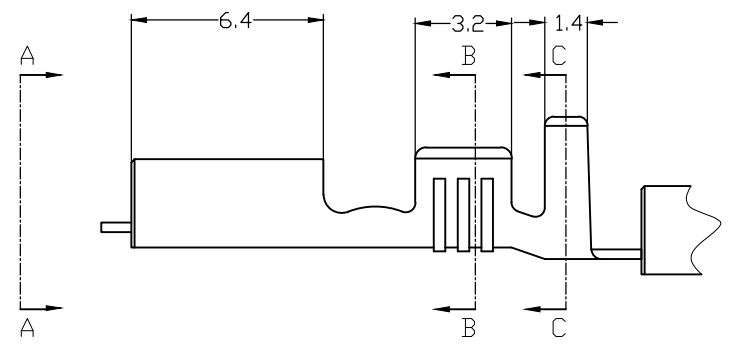
- * INERT GAS FURNACE.....MATTE
- * ATMOSPHERIC FURNACE FOLLOWING BY ACID PICKLE...BRIGHT



SECT. "B"-"B" (-6 ONLY)

SECT. "B"-"B"

SECT. "C"-"C"



MATING TAB THK.	PRODUCT SPEC NO.	L.P P/N	MATERIAL	FINISH	P/N
	108-5178	—#—	BRASS 0.32t	ELECTRICAL TIN PLATED WITHOUT STRESS RELIEVE	170037-9
	108-5178	—#—	BRASS 0.32t	ELECTRICAL TIN PLATED	170037-6
	108-5178	170038-5	PRE-TIN BRASS		170037-5
	108-5178	170038-4	PHOSBRD 0.32t	ELECTRICAL TIN PLATED	170037-4
	108-5178	170038-3	PHOSBRD 0.32t	—#— Δ	170037-3
	108-5178	170038-2	BRASS 0.32t	ELECTRICAL TIN PLATED	170037-2
0.53-0.48	108-5008	170038-1	BRASS 0.32t	—#— Δ	170037-1

WIRE RANGE 0.5~1.42 mm ^f (AWG #20~#16)	THIS DRAWING IS A CONTROLLED DOCUMENT.		DWN LI HELEN 27AUG2004	TE Connectivity 187 SERIES FASTON RECEPTACLE	
	INSULATION DIA 2.29~3.3	DIMENSIONS: 単位: 耗 mm	TOLERANCES UNLESS OTHERWISE SPECIFIED: 一般公差		
TOLERANCES ±0.4	MATERIAL 材料 SEE TABLE	FINISH 仕上 SEE TABLE	PRODUCT SPEC 製品規格 108-5008	APPLICATION SPEC 取付適用規格 114-5084	NAME 名称
			WEIGHT 0.35g/ea	SIZE A3	CAGE CODE 00779
			DRAWING NO 番号 C-170037		RESTRICTED TO —
CUSTOMER DRAWING			SCALE 尺度 4:1	SHEET 1 OF 1	REV L2

X-ON Electronics

Largest Supplier of Electrical and Electronic Components

Click to view similar products for [Terminals](#) category:

Click to view products by [TE Connectivity](#) manufacturer:

Other Similar products are found below :

[00-054007-01074-6](#) [00-054007-70206-1](#) [00-054007-70210-8](#) [00-054007-70217-7](#) [00-054007-70226-9](#) [00-054007-70228-3](#) [00-054007-70248-1](#) [00-054007-70256-6](#) [00-054007-70301-3](#) [00-054007-70316-7](#) [00-054007-49560-4](#) [00-054007-70209-2](#) [00-054007-70225-2](#) [00-054007-70227-6](#) [00-054007-70231-3](#) [00-054007-70241-2](#) [00-054007-70242-9](#) [00-054007-70244-3](#) [00-054007-70246-7](#) [00-054007-70263-4](#) [00-054007-70288-7](#) [00-054007-70290-0](#) [00-054007-70300-6](#) [00-054007-70304-4](#) [01-2065-1-0216](#) [01-2900-1-04412](#) [00581P0075](#) [600TS-10](#) [60205-1](#) [604200-1](#) [605601-1](#) [60598-1-CUT-TAPE](#) [61314-6-C](#) [61810-3](#) [61-S](#) [61-SN](#) [626-0194](#) [62-NBM-A](#) [62-SN](#) [62-SP](#) [63-S](#) [640179-1](#) [M55155/059I03](#) [M55155/079C01](#) [M55155/099H02](#) [M55155/109H01](#) [M55155/109H02](#) [M55155/12XH05](#) [M55155/16XH02](#) [M55155/29-5S](#)